



AdvancedRotak

36V-40-650 | 36V-44-750

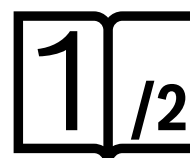
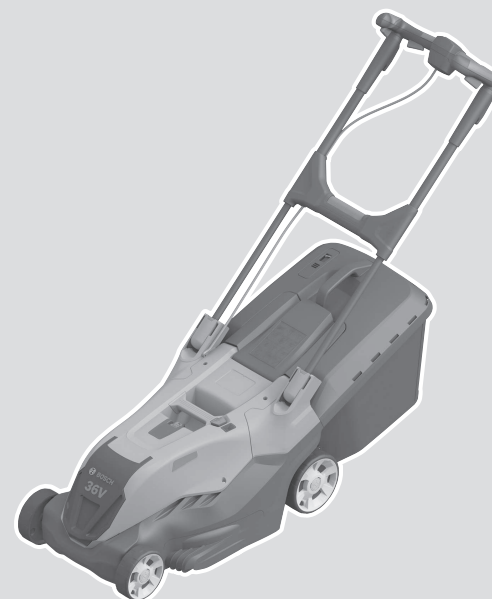
Robert Bosch Power Tools GmbH
70538 Stuttgart
GERMANY

www.bosch-pt.com

F 016 L94 487 (2023.09) 0 / 36



F 016 L94 487



en Original instructions
ar دليل التشغيل الأصلي
fa دفترچه راهنمای اصلی



English Page 3
عربي الصفحة 11
فارسی صفحه 19

CE / UK CA 2/2

English

Safety Notes

Explanation of symbols – lawnmower



General hazard safety alert.



Read instruction manual.



Make sure that bystanders are not injured by foreign objects being thrown away.



WARNING: Keep bystanders away.



WARNING: Keep hands and feet away from the blades.



WARNING: Disconnect battery before maintenance.



WARNING: Remove the disabling device before maintenance.



Not applicable.



Wait until all machine components have completely stopped before touching them. The blades continue to rotate after the machine is switched off, a rotating blade can cause injury.



Do not expose to rain.



Not applicable.



Not applicable.



Battery charger contains a safety transformer.



Only use the battery charger indoors.



Do not use a high-pressure washer or a garden hose to clean the machine.



Carefully check the area where the tool is to be used for wildlife and pets. Wildlife and pets may be injured while the machine is in operation. Thoroughly check the working area and remove any stones, sticks, wires, bones and foreign objects. When using the machine, ensure that no wildlife, pets or small tree stumps are hidden in the dense grass.

General Power Tool Safety Warnings

WARNING Read all safety warnings, instructions, illustrations and specifications provided with this power tool. Failure to follow all instructions listed below may result in electric shock, fire and/or serious injury.

Save all warnings and instructions for future reference.

The term "power tool" in the warnings refers to your mains-operated (corded) power tool or battery-operated (cordless) power tool.

Work area safety

- ▶ **Keep work area clean and well lit.** Cluttered or dark areas invite accidents.
- ▶ **Do not operate power tools in explosive atmospheres, such as in the presence of flammable liquids, gases or dust.** Power tools create sparks which may ignite the dust or fumes.
- ▶ **Keep children and bystanders away while operating a power tool.** Distractions can cause you to lose control.

Electrical safety

- ▶ **Power tool plugs must match the outlet. Never modify the plug in any way. Do not use any adapter plugs with earthed (grounded) power tools.** Unmodified plugs and matching outlets will reduce risk of electric shock.
- ▶ **Avoid body contact with earthed or grounded surfaces, such as pipes, radiators, ranges and refrigerators.** There is an increased risk of electric shock if your body is earthed or grounded.
- ▶ **Do not expose power tools to rain or wet conditions.** Water entering a power tool will increase the risk of electric shock.
- ▶ **Do not abuse the cord. Never use the cord for carrying, pulling or unplugging the power tool. Keep cord away from heat, oil, sharp edges or moving parts.** Damaged or entangled cords increase the risk of electric shock.
- ▶ **When operating a power tool outdoors, use an extension cord suitable for outdoor use.** Use of a cord suitable for outdoor use reduces the risk of electric shock.
- ▶ **If operating a power tool in a damp location is unavoidable, use a residual current device (RCD) protec-**

ted supply. Use of an RCD reduces the risk of electric shock.

Personal safety

- ▶ **Stay alert, watch what you are doing and use common sense when operating a power tool. Do not use a power tool while you are tired or under the influence of drugs, alcohol or medication.** A moment of inattention while operating power tools may result in serious personal injury.
- ▶ **Use personal protective equipment. Always wear eye protection.** Protective equipment such as a dust mask, non-skid safety shoes, hard hat or hearing protection used for appropriate conditions will reduce personal injuries.
- ▶ **Prevent unintentional starting. Ensure the switch is in the off-position before connecting to power source and/or battery pack, picking up or carrying the tool.** Carrying power tools with your finger on the switch or energising power tools that have the switch on invites accidents.
- ▶ **Remove any adjusting key or wrench before turning the power tool on.** A wrench or a key left attached to a rotating part of the power tool may result in personal injury.
- ▶ **Do not overreach. Keep proper footing and balance at all times.** This enables better control of the power tool in unexpected situations.
- ▶ **Dress properly. Do not wear loose clothing or jewellery. Keep your hair and clothing away from moving parts.** Loose clothes, jewellery or long hair can be caught in moving parts.
- ▶ **If devices are provided for the connection of dust extraction and collection facilities, ensure these are connected and properly used.** Use of dust collection can reduce dust-related hazards.
- ▶ **Do not let familiarity gained from frequent use of tools allow you to become complacent and ignore tool safety principles.** A careless action can cause severe injury within a fraction of a second.

Power tool use and care

- ▶ **Do not force the power tool. Use the correct power tool for your application.** The correct power tool will do the job better and safer at the rate for which it was designed.
- ▶ **Do not use the power tool if the switch does not turn it on and off.** Any power tool that cannot be controlled with the switch is dangerous and must be repaired.
- ▶ **Disconnect the plug from the power source and/or remove the battery pack, if detachable, from the power tool before making any adjustments, changing accessories, or storing power tools.** Such preventive safety measures reduce the risk of starting the power tool accidentally.
- ▶ **Store idle power tools out of the reach of children and do not allow persons unfamiliar with the power tool or**

these instructions to operate the power tool. Power tools are dangerous in the hands of untrained users.

- ▶ **Maintain power tools and accessories. Check for misalignment or binding of moving parts, breakage of parts and any other condition that may affect the power tool's operation. If damaged, have the power tool repaired before use.** Many accidents are caused by poorly maintained power tools.
- ▶ **Keep cutting tools sharp and clean.** Properly maintained cutting tools with sharp cutting edges are less likely to bind and are easier to control.
- ▶ **Use the power tool, accessories and tool bits etc. in accordance with these instructions, taking into account the working conditions and the work to be performed.** Use of the power tool for operations different from those intended could result in a hazardous situation.
- ▶ **Keep handles and grasping surfaces dry, clean and free from oil and grease.** Slippery handles and grasping surfaces do not allow for safe handling and control of the tool in unexpected situations.

Battery tool use and care

- ▶ **Recharge only with the charger specified by the manufacturer.** A charger that is suitable for one type of battery pack may create a risk of fire when used with another battery pack.
- ▶ **Use power tools only with specifically designated battery packs.** Use of any other battery packs may create a risk of injury and fire.
- ▶ **When battery pack is not in use, keep it away from other metal objects, like paper clips, coins, keys, nails, screws or other small metal objects, that can make a connection from one terminal to another.** Shorting the battery terminals together may cause burns or a fire.
- ▶ **Under abusive conditions, liquid may be ejected from the battery; avoid contact. If contact accidentally occurs, flush with water. If liquid contacts eyes, additionally seek medical help.** Liquid ejected from the battery may cause irritation or burns.
- ▶ **Do not use a battery pack or tool that is damaged or modified.** Damaged or modified batteries may exhibit unpredictable behaviour resulting in fire, explosion or risk of injury.
- ▶ **Do not expose a battery pack or tool to fire or excessive temperature.** Exposure to fire or temperature above 130°C may cause explosion.
- ▶ **Follow all charging instructions and do not charge the battery pack or tool outside the temperature range specified in the instructions.** Charging improperly or at temperatures outside the specified range may damage the battery and increase the risk of fire.

Service

- ▶ **Have your power tool serviced by a qualified repair person using only identical replacement parts.** This will ensure that the safety of the power tool is maintained.

- ▶ **Never service damaged battery packs.** Service of battery packs should only be performed by the manufacturer or authorized service providers.

Lawnmower safety warnings

- ▶ **Do not use the lawnmower in bad weather conditions, especially when there is a risk of lightning.** This decreases the risk of being struck by lightning.
- ▶ **Thoroughly inspect the area for wildlife where the lawnmower is to be used.** Wildlife may be injured by the lawnmower during operation.
- ▶ **Thoroughly inspect the area where the lawnmower is to be used and remove all stones, sticks, wires, bones, and other foreign objects.** Thrown objects can cause personal injury.
- ▶ **Before using the lawnmower, always visually inspect to see that the blade and the blade assembly are not worn or damaged.** Worn or damaged parts increase the risk of injury.
- ▶ **Check the grass catcher frequently for wear or deterioration.** A worn or damaged grass catcher may increase the risk of personal injury.
- ▶ **Keep guards in place. Guards must be in working order and be properly mounted.** A guard that is loose, damaged, or is not functioning correctly may result in personal injury.
- ▶ **Keep all cooling air inlets clear of debris.** Blocked air inlets and debris may result in overheating or risk of fire.
- ▶ **While operating the lawnmower, always wear non-slip and protective footwear. Do not operate the lawnmower when barefoot or wearing open sandals.** This reduces the chance of injury to the feet from contact with the moving blade.
- ▶ **While operating the lawnmower, always wear long trousers.** Exposed skin increases the likelihood of injury from thrown objects.
- ▶ **Do not operate the lawnmower in wet grass. Walk, never run.** This reduces the risk of slipping and falling which may result in personal injury.
- ▶ **Do not operate the lawnmower on excessively steep slopes.** This reduces the risk of loss of control, slipping and falling which may result in personal injury.
- ▶ **When working on slopes, always be sure of your footing, always work across the face of slopes, never up or down and exercise extreme caution when changing direction.** This reduces the risk of loss of control, slipping and falling which may result in personal injury.
- ▶ **Use extreme caution when reversing or pulling the lawnmower towards you. Always be aware of your surroundings.** This reduces the risk of tripping during operation.
- ▶ **Do not touch blades and other hazardous moving parts while they are still in motion.** This reduces the risk of injury from moving parts.
- ▶ **When clearing jammed material or cleaning the lawnmower, make sure all power switches are off and the**

battery pack is disconnected. Unexpected operation of the lawnmower may result in serious personal injury.

Additional safety warning

- ▶ When adjusting the machine, make sure not to pinch your fingers between the moving blades and fixed parts of the machine.
- ▶ Always allow the product to cool down before storing.
- ▶ Empty the grassbox before storing.

Operation

- ▶ We would advise you to wear ear protection for your own convenience.
- ▶ Wait until the blades stop if the machine has to be tilted for transportation when crossing surfaces other than grass and when transporting the machine to and from the area to be mowed.
- ▶ Do not tilt the machine when starting or switching on the motor.
- ▶ Switch on the motor according to the instructions with feet well away from rotating parts.
- ▶ Do not put hands or feet near or under rotating parts.
- ▶ Always stand clear of the discharge zone when operating the machine.
- ▶ Never pick up or carry the machine while the motor is running.
- ▶ When storing, make sure that all 4 wheels of the garden tool stand on the ground/floor.
- ▶ Only lift the garden tool with the carrying handle. Use the carrying handle with care.

Remove Isolator key:

- Whenever you leave the machine.
- Before clearing a blockage.
- Before checking, cleaning or working on the machine.
- After striking a foreign object. Inspect the machine for damage and change the blade as necessary.
- If the machine starts to vibrate abnormally (check immediately).

Leaf Collect

The leaf collect blade has been designed to allow you to pick up autumn leaves from your lawn. In order for this functionality to work within optimal parameters, please note the following:

- Only collect leaves with the machine set at maximum cutting height.
- Collect leaves from your lawn only.
- Before collecting leaves inspect the area where the machine is to be used and keep people, pets, glass structures and cars away from use.

Recommendations for Optimal Handling of the Battery Pack

- ▶ **Do not open the battery.** There is a risk of short-circuiting.



Protect the battery against heat (e.g., against continuous intense sunlight), fire, water, and moisture. There is a risk of explosion.



- ▶ **When not using the machine detach the battery away from paper clips, coins, keys, nails, screws, or other small metal objects that could cause bridging of the terminals.** Shorting the battery terminals together may cause burns or a fire.
- ▶ **In case of damage and improper use of the battery pack, vapours may be emitted.** Ventilate the area and seek medical help in case of complaints. The vapours can irritate the respiratory system.
- ▶ **Only use the battery with products from the manufacturer.** This is the only way in which you can protect the battery against dangerous overload.
- ▶ **The battery can be damaged by pointed objects such as nails or screwdrivers or by force applied externally.** An internal short circuit may occur, causing the battery to burn, smoke, explode or overheat.
- ▶ **Do not short-circuit the battery.** There is a risk of explosion.
- ▶ Occasionally clean the venting slots of the battery using a soft, clean and dry brush.
- ▶ **Charge the machine only with the supplied battery charger.**

Symbols

The following symbols are important for reading and understanding the original instructions. Please take note of the symbols and their meaning. The correct interpretation of the symbols will help you to use the product in a better and safer manner.

Symbol	Meaning
	Movement direction
	Reaction direction
	Wear protective gloves
	Weight
	Switching on
	Switching off
	Permitted action
	Prohibited action
CLICK!	Audible noise
	Accessories/Spare Parts

Product Description and Specifications



Read all safety warnings and all instructions. Failure to follow the safety warnings and instructions may result in electric shock, fire and/or serious injury.

Please observe the illustrations at the end of this operating manual.

Intended Use

The garden product is intended for domestic lawn mowing. The garden product is not intended for hedge cutting, trimming, shredding, etc.

The garden product is intended for lawn mowing at ground level.

Technical Data

Lawnmower		AdvancedRotak 36V-40-650	AdvancedRotak 36V-44-750
Article number		3 600 HB9 F..	3 600 HB9 G..
Rated voltage	V	36	36
Cutting width	cm	40	44
Height of cut	mm	25 - 80	25 - 80
Capacity, grass bag	l	50	50
Weight according to IEC 62841-1 / IEC 62841-4-3	kg	16.7	16.6
Recommended ambient temperature during charging	°C	0... +35	0... +35

Lawnmower	AdvancedRotak 36V-40-650	AdvancedRotak 36V-44-750
Permitted ambient temperature during operation and storage	°C	-20... +50
Battery type	GBA 36V 2.0 Ah, 4.0 Ah, 6.0 Ah	GBA 36V 4.0 Ah, 6.0 Ah

All values in this manual are measured for usage below or equal to 2000 meters above nominal sea level.

Noise/Vibration Information

	AdvancedRotak 36V-40-650	AdvancedRotak 36V-44-750
	3 600 HB9 F..	3 600 HB9 G..

Noise emission values determined according to **EN IEC 62841-4-3:2021**

Typically the A-weighted noise levels of the product are:

– Sound pressure level	dB(A)	73	76
– Sound power level	dB(A)	89	92
– Uncertainty K	dB	= 3.0	= 3.0

Vibration total values ah (triax vector sum) and uncertainty K determined according to **EN IEC 62841-4-3:2021**

– Vibration emission value a_h	m/s^2	2.5	3.0
– Uncertainty K	m/s^2	1.5	1.5

The declared vibration total value(s) and the declared noise emission value(s) have been measured in accordance with a standard test method and may be used for comparing one machine with another.

That the declared vibration total value(s) and the declared noise emission value(s) may also be used in a preliminary assessment of exposure.

That the vibration and noise emissions during actual use of the machine can differ from the declared total value depending on the ways in which the machine is used; and of the need to identify safety measures to protect the operator that are based on an estimation of exposure in the actual conditions of use (taking account of all parts of the operating cycle such as the times when the machine is switched off and when it is running idle in addition to the trigger time).

Action	Figure	Page
Removing the battery	G	32
Working advice “mowing”	H	33
Level indicator, grassbox empty/full	I	34
Folding the grassbox	J	34
Fold down handle	K	35
Blade maintenance/Blade replacement	L	36
Selecting accessories	M	36

A) **Accessories shown or described are not included with the product as standard. You can find the complete selection of accessories in our accessories range.**

Starting Operation

For Your Safety

- ▶ **Warning! Switch off, remove the isolator key and the battery before adjusting or cleaning. The same applies when the cable to the switch in the handle is damaged, cut or entangled.**
- ▶ **The blade continues to rotate for a few seconds after the machine is switched off.**
- ▶ **Caution: Do not touch the rotating blade.**
- ▶ **Use only the chargers listed in the technical data.** Only these battery chargers are matched to the lithium-ion batteries of your product.

Charging the Battery

The battery is equipped with temperature monitoring that allows charging only in the temperature range between 0 °C

Mounting and Operation

Action	Figure	Page
Delivery scope ^{A)}	A	27
Mounting the handle	B	28
Adjusting the working height		
Fitting/removing the grassbox	C	29
Setting the height of cut	D	29
Inserting the battery	E	30
Operation	F	31
- Inserting the isolator switch		
- Switching on		
- Mowing		
- Switching off		
- Removing the isolator switch		

and 35 °C. In this manner, a high battery service life is achieved.

Note: The battery is supplied partially charged. To ensure full battery capacity, completely charge the battery in the battery charger before using for the first time.

The lithium-ion battery can be charged at any time without reducing its service life. Interrupting the charging procedure does not cause damage to the battery.

The “Electronic Cell Protection (ECP)” protects the lithium-ion battery against deep discharging. When the battery is empty, the product is switched off by means of a protective circuit: The product no longer operates.

Do not continue to press the On/Off switch after an automatic shut-off of the product. The battery could become damaged.

Observe the notes for disposal of the battery.

Inserting/Removing the Battery

Note: Using unsuitable batteries can lead to malfunctions or damage the machine.

Insert the charged battery. Make sure that the battery is fully fitted.

To remove the battery from the machine, press the battery unlocking button and pull the battery out.

Working Advice

Cutting Capacity (Battery Operating Duration)

The cutting capacity (battery operating duration) depends on lawn properties, such as grass density, moisture content, grass length and height of cut.

Switching the machine on and off frequently during cutting will also reduce the cutting capacity (battery operating duration).

To improve the cutting capacity (battery operating duration), it is recommended to cut more frequently, increase the cutting height and walk at an appropriate pace.

The example below shows the connection between cutting height and cutting capacity with regard to three batteries.

Cutting Conditions



Cutting capacity	
Battery with 2.0 Ah	up to 250 m ²
Battery with 4.0 Ah	up to 500 m ²
Battery with 6.0 Ah	up to 750 m ²

To increase the run time an additional battery can be purchased from an authorised customer service agent for Bosch garden products.

Troubleshooting



Problem	Possible Cause	Corrective Action
Motor refuses to start	Internal wiring of garden tool defective	Contact Bosch customer service agent
	Battery discharged	Recharge battery
	Battery too hot/cold	Allow to cool/warm
	Grass too long	Max. allowed grass height 30cm on highest height-of-cut setting
	Motor protector has activated	Allow motor to cool and increase height of cut
Garden tool functions intermittently	Isolator switch not inserted correctly/fully	Fit correctly
	Internal wiring of garden tool defective	Contact Bosch customer service agent
Machine leaves ragged finish and/or Motor labours	Motor protector has activated	Allow motor to cool and increase height of cut
	Height of cut too low	Increase height of cut
Machine leaves ragged finish and/or Motor labours	Cutting blade blunt	Replace cutting blade (see figure L)
	Possible clogging	Switch garden tool off and disengage isolator switch
	Blade fitted upside down	Check underneath the garden product and clear out as necessary (always wear protective gloves) Refit blade correctly

Problem	Possible Cause	Corrective Action
Blade not rotating while garden product switched on	Cutting blade obstructed	Switch garden tool off and disengage isolator switch Clear obstruction (always wear protective gloves)
	Blade nut/bolt loose	Tighten blade nut/bolt (27 Nm)
Excessive vibrations/noise	Blade nut/bolt loose	Tighten blade nut/bolt (27 Nm)
	Cutting blade damaged	Replace cutting blade (see figure L)

Maintenance and Service

Maintenance, Cleaning and Storage

- ▶ **Before any work on the garden product itself (e. g. maintenance, tool change, etc.) as well as during transport and storage, remove the battery from the garden product.** There is danger of injury when unintentionally actuating the On/Off switch.
- ▶ **For safe and proper working, always keep the product clean.**

Do not place other objects on the garden product.

To ensure safe and efficient operation, always keep the product and the ventilation slots clean.

Never spray the product with water.

Never immerse the product in water.

Store the product in a secure, dry place, out of the reach of children.

Do not place other objects on the product.

Keep all nuts, bolts and screws tight to ensure safe working with the product.

Inspect the product and replace worn or damaged parts for safety.

Ensure replacement parts fitted are Bosch-approved.

When storing, make sure that all 4 wheels of the garden tool stand on the ground/floor.

Do not modify this product. Unauthorized modifications may impair the safety of your product and may result in increased risk of injury.

Battery Maintenance

Use the following procedures to enable optimum usage of the battery:

- Protect the battery against moisture and water.
- Store the machine and battery only within a temperature range between $-20\text{ }^{\circ}\text{C}$ and $50\text{ }^{\circ}\text{C}$. As an example, do not leave the battery in the car in summer.
- The battery must not be stored within the product but stored separately.
- Do not leave the battery in the product in direct sunlight.
- The ideal storage condition for the battery is $5\text{ }^{\circ}\text{C}$.
- Occasionally clean the venting slots of the battery using a soft, clean and dry brush.

A significantly reduced working period after charging indicates that the battery is used and must be replaced.

After-Sales Service and Application Service

Our after-sales service responds to your questions concerning maintenance and repair of your product as well as spare parts. You can find explosion drawings and information on spare parts at: www.bosch-pt.com

The Bosch product use advice team will be happy to help you with any questions about our products and their accessories.

In all correspondence and spare parts orders, please always include the 10-digit article number given on the nameplate of the product.

Great Britain

Robert Bosch Ltd. (B.S.C.)

P.O. Box 98

Broadwater Park

North Orbital Road

Denham Uxbridge

UB 9 5HJ

At www.bosch-pt.co.uk you can order spare parts or arrange the collection of a product in need of servicing or repair.

Tel. Service: (0344) 7360109

E-Mail: boschservicecentre@bosch.com

You can find further service addresses at:

www.bosch-pt.com/serviceaddresses

Transport

The recommended lithium-ion batteries are subject to legislation on the transport of dangerous goods. The user can transport the batteries by road without further requirements.

When shipping by third parties (e.g.: by air transport or forwarding agency), special requirements on packaging and labelling must be observed. For preparation of the item being shipped, consulting an expert for hazardous material is required.

Dispatch battery packs only when the housing is undamaged. Tape or mask off open contacts and pack up the battery in such a manner that it cannot move around in the packaging. Please also observe the possibility of more detailed national regulations.

Disposal



Products, rechargeable batteries, accessories and packaging are to be recycled in an environmentally friendly manner.



Do not dispose of rechargeable batteries/batteries into household waste!

Only for EU countries:

According to European Directive 2012/19/EU on Waste Electrical and Electronic Equipment and its implementation into national law, power tools that are no longer usable must be collected separately and disposed must be collected separately and be disposed of in an environmentally friendly manner. According to European Directive 2006/66/EG rechargeable batteries that are defect or no longer usable must be collected separately and disposed of in an environmentally friendly manner.

If disposed incorrectly, waste electrical and electronic equipment may have harmful effects on the environment and human health, due to the potential presence of hazardous substances.

Rechargeable batteries/batteries:

Li-ion:

Please refer to the notice in section Transport (see "Transport", page 9).

Only for United Kingdom:

According to The Waste Electrical and Electronic Equipment Regulations 2013 (SI 2013/3113) (as amended) and the Waste Batteries and Accumulators Regulations 2009 (SI 2009/890) (as amended), products that are no longer usable must be collected separately and disposed of in an environmentally friendly manner.

استخدم جهاز الشمن في الغرف الجافة فقط.



لا تستخدم منظف الضغط العالي أو خرطوم الحديقة من أجل تنظيف جهاز الحديقة.



افحص المجال الذي تريد استخدام جهاز الحديقة فيه جيداً للتأكد من عدم وجود الحيوانات المتوحشة والمنزلية فيه. وجود احتمال جرح الحيوانات المتوحشة والمنزلية أثناء تشغيل الجهاز. افحص مجال استخدام الجهاز جيداً وقم بإزالة جميع الأحجار وعيدان الخشب والأسلاك والعظام والأجسام الغريبة. عند استخدام الجهاز، تأكد من عدم وجود الحيوانات المتوحشة والمنزلية وجذوع الأشجار الصغيرة في العشب الكثيف.



الإرشادات العامة للأمان بالعدد الكهربائية

⚠ تحذير اطلع على كافة تحذيرات الأمان والتعليمات والصور

والمواصفات المرفقة بالعدة الكهربائية. عدم اتباع التعليمات الواردة أدناه قد يؤدي إلى حدوث صدمة كهربائية، إلى نشوب حريق و/أو الإصابة بجروح خطيرة.

احتفظ بجميع الملاحظات التحذيرية والتعليمات للمستقبل.

يقصد بمصطلح «العدة الكهربائية» المستخدم في الملاحظات التحذيرية، العدد الكهربائية الموصولة بالشبكة الكهربائية (بواسطة كابل الشبكة الكهربائية) وأيضاً العدد الكهربائية المزودة بمركم (دون كابل الشبكة الكهربائية).

الأمان بمكان الشغل

◀ حافظ على نظافة مكان شغلك وإضاءته بشكل جيد. الفوضى في مكان الشغل ونطاقات العمل غير المضاءة قد تؤدي إلى وقوع الحوادث.

◀ لا تشتغل بالعدة الكهربائية في نطاق معرض لخطر الانفجار مثل الأماكن التي تتوفر فيه السوائل أو الغازات أو الأغبرة القابلة للاشتعال. العدد الكهربائية تولد شرراً قد يتطاير، فيشعل الأغبرة والأبخرة.

◀ حافظ على بقاء الأطفال وغيرهم من الأشخاص بعيداً عندما تستعمل العدة الكهربائية. نشيت الانتباه قد يتسبب في فقدان السيطرة على الجهاز.

الأمان الكهربائي

◀ يجب أن يتلائم قابس العدة الكهربائية مع المقبس. لا يجوز تغيير القابس بأي حال من الأحوال. لا تستعمل القوايس المهينة مع العدد الكهربائية المؤرضة (ذات طرف أرضي). تخفّض القوايس التي لم يتم تغييرها والمقابس الملائمة من خطر الصدمات الكهربائية.

◀ تجنب ملامسة جسمك للأسطح المؤرضة كالأنيب والمبردات والمواقد أو التلجّات. يزداد خطر الصدمات الكهربائية عندما يكون جسمك مؤرض أو موصل بالأرضي.

عربي

ملاحظات الأمان

وصف الرموز - جزارة العشب

ملاحظة خطر عامة.



اقرأ تعليمات التشغيل هذه.



احرص على عدم إصابة الأشخاص المتواجدين بالجوار بسبب الأجسام الخارجية المتطايرة.



تحذير: يجب بقاء الأشخاص بعيداً عن مكان العمل.



تحذير: احفظ يديك وقدميك بعيداً عن السكاكين.



تحذير: قم بفصل المركم قبل القيام بأعمال الصيانة.



تحذير: أزل أداة الإقفال قبل القيام بأعمال الصيانة.



غير صحيح.



انتظر إلى أن تتوقف جميع أجزاء جهاز الحديقة عن الحركة بشكل كامل قبل أن تلمسها. تتابع السكاكين دورانها بعد إطفاء جهاز الحديقة وقد تحدث إلى الإصابات.



لا تستخدم الجهاز في حال سقوط المطر.



غير صحيح.



غير صحيح.



لقد تم تجهيز جهاز الشمن بمحول أمان.



- ◀ أبعد العدة الكهربائية عن الأمطار أو الرطوبة. يزداد خطر الصدمات الكهربائية إن تسرب الماء إلى داخل العدة الكهربائية.
- ◀ لا تسئ استعمال الكابل. لا تستخدم الكابل في حمل العدة الكهربائية أو سحبها أو سحب القابس من المقبس. احرص على إبعاد الكابل عن الحرارة والزيت والحواف الحادة أو الأجزاء المتحركة. تزيد الكابلات التالفة أو المتشابهة من خطر الصدمات الكهربائية.
- ◀ عند استخدام العدة الكهربائية خارج المنزل اقتصِر على استخدام كابلات التمديد الصالحة للاستعمال الخارجي. يقلل استعمال كابل تمديد مخصص للاستعمال الخارجي من خطر الصدمات الكهربائية.
- ◀ إن لم يكن بالإمكان تجنب تشغيل العدة الكهربائية في الأجواء الرطبة، فاستخدم مفتاح للوقاية من التيار المتخلف. إن استخدام مفتاح للوقاية من التيار المتخلف يقلل خطر الصدمات الكهربائية.
- ◀ أمان الأشخاص
 - ◀ كن يقظاً وانتبه إلى ما تفعله واستخدم العدة الكهربائية بتعقل. لا تستخدم عدة كهربائية عندما تكون متعباً أو عندما تكون تحت تأثير المخدرات أو الكحول أو الأدوية. عدم الانتباه للحظة واحدة عند استخدام العدة الكهربائية قد يؤدي إلى إصابات خطيرة.
 - ◀ قم لارتداء تجهيزات الحماية الشخصية. وارتد دائماً نظارات واقية. يحد ارتداء تجهيزات الحماية الشخصية، كقناع الوقاية من الغبار وأحذية الأمان الواقية من الانزلاق والخوذ أو واقية الأذنين، حسب ظروف استعمال العدة الكهربائية، من خطر الإصابة بجروح.
 - ◀ تجنب التشغيل بشكل غير مقصود. تأكد من كون العدة الكهربائية مطفأة قبل توصيلها بالتيار الكهربائي و/أو بالمركم، وقبل رفعها أو حملها. إن كنت تضع إصبعك على المفتاح أثناء حمل العدة الكهربائية أو إن وصلت الجهاز بالشبكة الكهربائية بينما لامفتاح على وضع التشغيل، قد يؤدي إلى وقوع الحوادث.
 - ◀ انزع أداة الضبط أو مفتاح الربط قبل تشغيل العدة الكهربائية. قد تؤدي الأداة أو المفتاح المتواجد في جزء دوار من الجهاز إلى الإصابة بجروح.
 - ◀ تجنب أوضاع الجسم غير الطبيعية. قف بأمان وحافظ على توازنك دائماً. سيسمح لك ذلك بالتحكم في الجهاز بشكل أفضل في المواقف الغير متوقعة.
 - ◀ قم بارتداء ثياب مناسبة. لا ترتد الثياب الفضفاضة أو الحلى. احرص على إبقاء الشعر والملابس بعيداً عن الأجزاء المتحركة. قد تتشابك الثياب الفضفاضة والحلى والشعر الطويل بالأجزاء المتحركة.
 - ◀ إن جاز تركيب تجهيزات شفط وتجميع الغبار، فتأكد من أنها موصولة وبأنه يتم استخدامها بشكل سليم. قد يقلل استخدام تجهيزات لشفط الغبار من المخاطر الناتجة عن الغبار.
- ◀ احسن معاملة واستخدام العدد الكهربائية
 - ◀ لا تفرط بتحميل الجهاز. استخدم لتنفيذ أشغالك العدة الكهربائية المخصصة لذلك. إنك تعمل بشكل أفضل وأكثر أماناً بواسطة العدة الكهربائية الملائمة في مجال الأداء المذكور.
 - ◀ لا تستخدم العدة الكهربائية إن كان مفتاح تشغيلها تالف. العدة الكهربائية التي لم يعد من الممكن التحكم بها عن طريق مفتاح التشغيل والإطفاء تعتبر خطيرة ويجب أن يتم إصلاحها.
 - ◀ اسحب القابس من المقبس و/أو اخلع المركم، إذا كان قابلاً للخلع، قبل ضبط الجهاز وقبل استبدال الملحقات أو قبل تخزين الجهاز. تمنع هذه الإجراءات وقائية تشغيل العدة الكهربائية بشكل غير مقصود.
 - ◀ احتفظ بالعدد الكهربائية التي لا يتم استخدامها بعيداً عن متناول الأطفال. لا تسمح باستخدام العدة الكهربائية لمن لا خبرة له بها أو لمن لم يقرأ تلك التعليمات. العدد الكهربائية خطيرة إن تم استخدامها من قبل أشخاص دون خبرة.
 - ◀ اعتن بالعدة الكهربائية والملحقات بشكل جيد. تأكد أن أجزاء الجهاز المتحركة مركبة بشكل سليم وغير مستعصية عن الحركة، وتفحص ما إن كانت هناك أجزاء مكسورة أو في حالة تؤثر على سلامة أداء العدة الكهربائية. ينبغي إصلاح هذه الأجزاء التالفة قبل إعادة تشغيل الجهاز. الكثير من الحوادث مصدرها العدد الكهربائية التي تتم صيانتها بشكل رديء.
 - ◀ احرص على إبقاء عدد القطع نظيفة وحادة. إن عدد القطع ذات حواف القطع الحادة التي تم صيانتها بعناية تكلم بشكل أقل ويمكن توجيهها بشكل أسير.
 - ◀ استخدم العدد الكهربائية والتوابع ورش الشغل إلخ. وفقاً لهذه التعليمات. تراعى أثناء ذلك ظروف الشغل والعمل المراد تنفيذه. استخدام العدد الكهربائية لغير الأشغال المخصصة لأجلها قد يؤدي إلى حدوث الحلات الخطيرة.
 - ◀ احرص على إبقاء المقابض وأسطح المسك جافة ونظيفة وخالية من الزيوت والشحوم. المقابض وأسطح المسك الزلقة لا تتبع التشغيل والتحكم الآمن في العدة في المواقف غير المتوقعة.
 - ◀ احسن معاملة واستخدام العدد المزودة بمركم
 - ◀ اشمن المراكم فقط في أجهزة الشمن التي يُنصَح باستخدامها من طرف المنتج. قد يتسبب جهاز الشمن المخصصة لنوع معين من المراكم في خطر الحريق إن تم استخدامه مع نوع آخر من المراكم.
 - ◀ استخدم العدد الكهربائية فقط مع المراكم المصممة لهذا الغرض. قد يؤدي استخدام

جمع العشب المستهلكة أو التالفة من خطر الإصابات.

- ◀ **اترك جميع تجهيزات الوقاية مركبة في أماكنها.** يجب أن تكون تجهيزات الوقاية مركبة حسب الأحكام وأن تكون فعالة وتعمل بشكل جيد. يمكن أن تؤدي تجهيزات الوقاية السائبة أو التالفة أو غير العاملة بشكل جيد إلى الإصابات.
- ◀ **حافظ على فتحات التهوية خالية من الأوساخ.** يمكن أن تؤدي فتحات التهوية المسدودة والأوساخ المتراكمة إلى الحرارة الزائدة أو إلى خطر الحريق.

- ◀ **عند العمل بجزارة العشب، ارتد دائماً أحذية واقية مانعة للانزلاق.** لا تستخدم جزارة العشب عندما تكون حافي القدمين أو مرتدي الصندل المفتوح. يقلل ذلك من خطر إصابات الأقدام نتيجة لملامستها السكين المتحرك.

- ◀ **عند العمل بجزارة العشب، ارتد دائماً بنظوناً طويلاً.** يزيد الجلد المكشوف من خطر الإصابات الناتجة بسبب الأجزاء المتطارية.

- ◀ **لا تستخدم جزارة العشب عندما تكون الأعشاب مبتلة.** امش ولا تركض أبداً. يقلل ذلك من خطر الانزلاق أو السقوط مما قد يؤدي إلى الإصابات.

- ◀ **لا تشغل جزارة العشب على السطوح الشديدة الانحدار.** يقلل ذلك من خطر فقدان السيطرة أو الانزلاق أو السقوط مما قد يؤدي إلى الإصابات.

- ◀ **احرص على الوقوف بثبات عند العمل على السطوح المائلة، قم بالعمل بشكل عرضي دائماً وليس إلى الأعلى والأسفل على الإطلاق،** وكن حذراً جداً عند تغيير اتجاه العمل. يقلل ذلك من خطر فقدان السيطرة أو الانزلاق أو السقوط مما قد يؤدي إلى الإصابات.

- ◀ **كن شديد الحرص عند تحريك جزارة العشب بالاتجاه الخلفي أو عند سحبك إليك.** راع محيطك دائماً. يقلل ذلك من مخاطر التعثر أثناء التشغيل.

- ◀ **لا تلامس السكاكين والأجزاء المتحركة الخطيرة الأخرى ما دامت تتحرك.** يقلل ذلك من خطر الإصابة بسبب الأجزاء المتحركة.

- ◀ **تأكد من أن تكون جميع المفاتيح في الوضع المطفأ وأن يكون المرمك مفصلاً قبل إزالة المواد المحشورة أو قبل تنظيف جزارة العشب.** قد يؤدي تشغيل جزارة العشب غير المتوقع إلى الإصابات الشديدة.

ملاحظات الأمان الإضافية

- ◀ عند ضبط الجهاز احرص على عدم تعلق أو تداخل أصابعك بين السكاكين المتحركة والأجزاء الثابتة للماكينة.
- ◀ اترك الجهاز ليبرد قبل التخزين.
- ◀ قم بتفريغ سلة جمع العشب قبل التخزين.

التشغيل

- ◀ إننا ننصح بارتداء واقية سمع للوقاية الشخصية.
- ◀ يجب أن تكون السكاكين متوقفة عن الحركة عندما تضطر لقلب جهاز الحديقة من أجل نقله أو

المراكم الأخرى إلى إصابات وإلى خطر نشوب الحرائق.

- ◀ **حافظ على إبعاد المرمك الذي لا يتم استعماله عن مشابك الورق وقطع النقود المعدنية والمفاتيح والمسامير واللواكب أو غيرها من الأغراض المعدنية الصغيرة التي قد تقوم بتوصيل الملامسين ببعضهما البعض.** قد يؤدي تقصير الدارة الكهربائية بين ملامسي المرمك إلى الاحتراق أو إلى اندلاع النار.
- ◀ **قد يتسرب السائل من المرمك في حالة سوء الاستعمال.** تجنب ملامسته. اشطفه بالماء في حال ملامسته بشكل غير مقصود. إن وصل السائل إلى العينين، فراجع الطبيب إضافة إلى ذلك. قد يؤدي سائل المرمك المتسرب إلى تهيج البشرة أو إلى الاحتراق.

- ◀ **لا تستخدم عدة أو مرمك تعرضاً لأضرار أو للتعديل.** البطاريات المتعرضة لأضرار أو لتعديلات قد ينتج عنها أشياء لا يمكن التنبؤ بها، قد تسبب نشوب حريق أو حدوث انفجار أو إصابات.

- ◀ **لا تعرض المرمك أو العدة للهب أو لدرجة حرارة زائدة.** التعرض للهب أو لدرجة حرارة أعلى من 130 °م قد يتسبب في انفجار.

- ◀ **اتب تعليمات الشحن ولا تقم بشحن المرمك أو العدة خارج نطاق درجة الحرارة المحدد في التعليمات.** الشحن بشكل غير صحيح أو في درجات حرارة خارج النطاق المحدد قد يعرض المرمك لأضرار ويزيد من مخاطر الحريق.

الخدمة

- ◀ **احرص على إصلاح عدتك الكهربائية فقط بواسطة العمال المتخصصين وباستعمال قطع الغيار الأصلية فقط.** يضمن ذلك المحافظة على أمان الجهاز.

- ◀ **لا تقم بإجراء أعمال خدمة على المراكم التالفة.** أعمال الخدمة على المراكم يجب أن تقوم بها الجهة الصانعة فقط أو مقدم الخدمة المعتمد.

ملاحظات الأمان لجزارات العشب

- ◀ **لا تستخدم جزارة العشب في ظروف الطقس السيئة وخاصة عند وجود خطر الصواعق.** يقلل ذلك من خطر الإصابة بصاعقة.

- ◀ **افحص المنطقة التي سيتم استخدام جزارة العشب فيها للتأكد من عدم وجود الحيوانات البرية.** قد تصاب الحيوانات البرية بواسطة جزارة العشب أثناء التشغيل.

- ◀ **افحص المجال جيداً الذي تريد استخدام جزارة العشب فيه، وقم بإزالة جميع الأحجار وعيدان الخشب والأسلاك والعظام والأجسام الغريبة الأخرى.** قد تسبب الأجزاء المتطارية الإصابات الشخصية.

- ◀ **دائماً وقبل استخدام جزارة العشب قم بفحصها بعينك للتأكد من عدم استهلاك أو تلف مجموعة أو وحدة السكاكين.** تزيد الأجزاء المتأكلة أو التالفة من خطر الإصابات.

- ◀ **افحص سلة جمع العشب باستمرار للتأكد من عدم وجود أي استهلاك أو تلف.** قد تزيد سلة

المعدنية الصغيرة التي قد تتسبب في توصيل نقاط التلامس ببعضهما البعض. قد يؤدي تقصير الدائرة الكهربائية بين ملامسي المرمك إلى حدوث حروق أو إلى اندلاع المريق.

- ◀ **قد تتسرب الأبخرة عند تلف المرمك واستخدامه بطريقة غير سليمة.** أمن امداد المكان بالهواء النقي وراجع الطبيب في حال الإصابة. إن الأبخرة قد تهيج المجاري التنفسية.
- ◀ **اقتصر على استخدام المرمك في منتجات الجهة الصانعة.** يتم حماية المرمك من فرط التحميل الخطير بهذه الطريقة فقط دون غيرها.
- ◀ **يمكن أن يتعرض المرمك لأضرار من خلال الأشياء المدببة مثل المسامير والمفكات أو من خلال تأثير القوى الخارجية.** وقد يؤدي هذا إلى تقصير الدائرة الكهربائية الداخلية واختراق المرمك أو خروج الأدخنة منه أو انفجاره وتعرضه لسخونة مفرطة.
- ◀ **لا تقوم بتقصير الدارة الكهربائية بالمرمك.** يتشكل خطر الانفجار.
- ◀ **نظف شقوق التهوية بالمرمك من فترة لأخرى بواسطة فرشاة طرية ونظيفة وجافة.**
- ◀ **لا تشحن الجهاز إلا بواسطة جهاز الشحن المورد معه.**

الرموز

قد تكون الرموز التالية ذات أهمية من أجل قراءة وفهم تعليمات التشغيل. يرجى حفظ الرموز ومعناها. يساعدك تفسير الرموز بشكل صحيح على استعمال الجهاز بطريقة أفضل وأكثر أماناً.

الرمز	المعنى
	اتجاه الحركة
	جهة رد الفعل
	ارتد قفازات واقية
	الوزن
	التشغيل
	الإطفاء
	تصرف مسموح
	عمل ممنوع
	الصوت المسموع
	التوابيع/قطع الغيار

عندما تعبر السطوح الغير مزروعة بالأعشاب أو عندما تنقل جهاز الحديقة من وإلى المجال المرغوب قص أعشابه.

- ◀ لا تميل جهاز الحديقة عند بدء التشغيل أو عند إدارة المحرك.
- ◀ شغل جهاز الحديقة بالطريقة الموصوفة في تعليمات التشغيل واحرص على إبعاد قدميك بمسافة كافية عن الأجزاء الدوارة.
- ◀ لا تقترب بيدك وبقدميك من الأجزاء الدوارة ولا تضعها تحتها.
- ◀ ابتعد عن مجال القذف عندما تعمل بواسطة جهاز الحديقة.
- ◀ لا ترفع أو تحمل جهاز الحديقة أبداً عندما يدور المرمك.
- ◀ تأكد من استقرار جميع العجلات الاربع لجهاز الحديقة على الأرض عند التخزين.
- ◀ ارفع جهاز الحديقة فقط بمقبض الحمل. قم بمعاملة المقبض بحذر.

حل قاطع التيار الكهربائي

- دائما عندما تبعد عن جهاز الحديقة.
- قبل إزالة الاستعصاء.
- عندما تفحص أو تنظف جهاز الحديقة أو عند إجراء الأعمال عليه.
- بعد الاصطدام بغرض غريب، افحص جهاز الحديقة فورا لكشف التلف واستبدل السكينة إن تطلب الأمر ذلك.
- إن بدأ جهاز الحديقة بالاهتزاز بشكل غريب (افحصه فورا).

جمع أوراق الأشجار المتساقطة

- لقد تم تشكيل سكين جمع أوراق الأشجار المتساقطة بحيث تستطيع أن تجمع أوراق الأشجار المتساقطة في الخريف من بين الأعشاب على أرض الحديقة. لكي تحصل على نتيجة مثالية بواسطة هذه الوظيفة ينبغي أن تتقيد بما يلي:
- اجمع أوراق الأشجار المتساقطة فقط عند تثبيت سكين القص على ارتفاع القص الأقصى.
- اجمع أوراق الأشجار المتساقطة فقط على الأرض المكسوة بالأعشاب.
- افحص سطح العمل قبل البدء بجمع أوراق الأشجار المتساقطة وحافظ على إبقاء الأشخاص والحيوانات المنزلية والأغراض الزجاجية والسيارات على بعد مناسب.

ملاحظات لمعاملة المرمك بشكل مثالي

- ◀ **لا تفتح المرمك.** يتشكل خطر تقصير الدائرة الكهربائية.
- احم المرمك من الحرارة، بما فيه أيضا التعرض لأشعة الشمس باستمرار مثلا ومن النار، والماء والرطوبة.** قد يتشكل خطر الانفجار.



- ◀ **عند عدم استخدام الجهاز، حافظ على إبعاد المرمك الذي لا يتم استعماله عن مشابك الورق وقطع النقود المعدنية والمفاتيح والمسامير واللواب أو غيرها من الأغراض**

وصف المنتج والأداء

اقرأ جميع ملاحظات الأمان و التعليمات. إن التقصير عند تطبيق ملاحظات الأمان والتعليمات قد يؤدي إلى الصدمات الكهربائية واندلاع الحرائق و/أو الإصابة بجروح خطيرة. انتبه للصور في الجزء الخلفي لتعليمات التشغيل هذه.



الاستعمال المخصص

لقد خصص جهاز الحديقة لقص الأعشاب في الأماكن الخاصة.
لم يخصص جهاز الحديقة من أجل قص الأعشاب النباتية والتشذيب والتفتيت إلخ..
يخصص جهاز الحديقة لقص الأعشاب بمستوى ارتفاع الأرض.

البيانات الفنية

جهاز العشب		رقم الصنف
AdvancedRotak 36V-44-750	AdvancedRotak 36V-40-650	3 600 HB9 G..
		3 600 HB9 F..
36	36	فولط
44	40	سم
80 - 25	80 - 25	ملم
50	50	لتر
16.6	16.7	كغ
		IEC 62841-1 / IEC 62841-4-3
35+ ...0	35+ ...0	درجة مئوية
50+ ...20-	50+ ...20-	درجة مئوية
GBA 36B4,0 Ah, 6,0 Ah	GBA 36B2,0 Ah, 4,0 Ah, 6,0 Ah	طراز المركم

تم قياس جميع القيم المذكورة في هذه التعليمات من أجل استخدام الجهاز بارتفاع فوق سطح البحر يبلغ 2000 متر كحد أقصى.

التركيب والتشغيل

هدف العمل	الصورة الصفحة
-----------	---------------

اختيار التوابع	M
----------------	---

(A) لا يتضمن إطار التوريد الاعتيادي التوابع المصورة أو المشروحة. تجد التوابع الكاملة في برنامجنا للتوابع.

بدء التشغيل

من أجل سلامتك

- ⚠ **تنبيه!** اطفئ جهاز الحديقة وحل قاطع التيار الكهربائي وفك المركم قبل تنفيذ أعمال الصيانة أو التنظيف. ويطبق ذلك أيضا إن كان كبل المفتاح تلف أو مقصوص أو ملتف عشوائيا.
- ⚠ **تتابع السكاكين دورانها لعدة ثوان بعد إطفاء جهاز الحديقة.**
- ⚠ **احترس: لا تلمس سكين القص الدوارة.**
- ⚠ **اقتصر على استخدام أجهزة الشحن المذكورة في المواصفات الفنية.** فقط أجهزة الشحن هذه مناسبة لمراكم أيونات الليثيوم المستخدمة في جهازك.

شحن المركم

لقد تم تجهيز المركم بمراقب حراري وهو يسمح بالشحن فقط ضمن مجال حراري يبلغ بين 0 درجة مئوية و 35 درجة مئوية. ويؤدي ذلك إلى مدة صلاحية عالية للمركم.

هدف العمل	الصورة الصفحة
نطاق التوريد ^(A)	A
فتح المقبض القوسي من خلال قلبه	B
ضبط ارتفاع العمل	C
تركيب/فك سلة جمع العشب	D
ضبط ارتفاع القص	E
تركيب المركم	F
تشغيل	
- إضافة قاطع التيار الكهربائي	
- تشغيل الجهاز	
- قص	
- إطفاء الجهاز	
- إزالة قاطع التيار الكهربائي	
فك المركم	G
ملاحظة العمل بخصوص الجز	H
مؤشر مستوى امتلاء سلة جمع العشب فارغة/ممتلئة	I
طي سلة جمع العشب	J
قلب قوس المقبض	K
صيانة السكين/استبدال السكين	L

ملاحظات عمل

قدرة القص (مدة عمل المرمك)

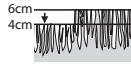
تتعلق قدرة القص (مدة عمل المرمك) بمواصفات العشب، مثلاً: كثافة العشب، الرطوبة، طول العشب وأيضاً ارتفاع القص.

كما يؤدي تكرار تشغيل وإطفاء جهاز الحديقة أثناء عملية قص العشب إلى تخفيض قدرة القص (مدة عمل المرمك).

للتوصل إلى قدرة القص (مدة عمل المرمك) المثالية، ينصح بالقص مرات متعددة، بتكبير ارتفاع القص وبالسير بسرعة ملائمة.

يوضح المثال التالي العلاقة بين ارتفاع القص وقدرة القص بالنسبة إلى ثلاثة مراكم.

شروط القص



عشب جاف ورقيق جدا

قدرة القص	مرمك بقدرة 2,0 Ah	إلى 250 متر مربع
مرمك بقدرة 4,0 Ah <td>إلى 500 متر مربع</td> <td></td>	إلى 500 متر مربع	
مرمك بقدرة 6,0 Ah <td>إلى 750 متر مربع</td> <td></td>	إلى 750 متر مربع	

يمكن شراء مرمك إضافي لدى مركز خدمة زبائن شركة بوش لأجهزة الحديقة من أجل زيادة مدة العمل.

ملاحظة: يتم تسليم المرمك وهو بحالة شمن جزئية. اشمن المرمك في جهاز الشمن بشكل كامل قبل الاستعمال الأول لضمان قدرة المرمك الكاملة.

يمكن شمن مرمك أيونات الليثيوم في أي وقت دون الحد من فترة صلاحيته. إن قطع عملية الشمن لا يسبب الأضرار بالمرمك.

لقد تم وقاية مرمك أيونات الليثيوم من التفريغ العميق بواسطة "واقية الخلايا الالكترونية Electronic Cell Protection/(ECP)". يتم إطفاء المرمك بواسطة مفتاح وقائي عند تفريغ المرمك: لن يعد يعمل جهاز الحديقة.

لا تتابع الضغط على مفتاح التشغيل والإطفاء بعد انطفاء الجهاز بشكل آلي. فقد يتعرض المرمك لأضرار.

تُرَاعَى الملاحظات بصدد التخلص من المرمك.

تركيب/خلع المرمك

ملاحظة: يمكن ان يؤدي استخدام المراكم الغير مناسبة إلى عمل الجهاز بشكل غير صحيح أو إلى تلف الجهاز.

ركب المرمك المشحون. احرص على دخول واستقرار المرمك بصورة تامة.

لفك المرمك عن الجهاز، اضغط زر الفك واسحب المرمك من مكانه.

البحث عن الأخطاء



الخطأ	السبب المحتمل	العلاج
المحرك لا يشتغل	تلف بالكبلات الداخلية بجهاز الحديقة المرمك فارغ	راجع مركز خدمة زبائن بوش اشمن المرمك
	المرمك ساخن/بارد جدا	اسمح للمرمك بأن يبرد/يسخن
	العشب شديد الارتفاع	ارتفاع الأعشاب الأقصى المسموح يبلغ 30 سم بواسطة ضبط ارتفاع القص الأعلى
	تم إطلاق واقية المحرك قاطع التيار الكهربائي غير مركب بشكل صحيح/كامل	اترك المحرك يبرد ثم اضبط ارتفاع قص أكبر ركه بالشكل الصحيح
جهاز الحديقة يعمل بشكل متقطع	تلف بالكبلات الداخلية بجهاز الحديقة تم إطلاق واقية المحرك	راجع مركز خدمة زبائن بوش اترك المحرك يبرد ثم اضبط ارتفاع قص أكبر
جهاز الحديقة لا يقص الأعشاب بشكل متساوٍ و/أو المحرك لديه صعوبات أثناء العمل	ارتفاع القص قليل جدا السكين كليلية قد يكون هناك انسداد	اضبط ارتفاع قص أكبر استبدل السكين (انظر الصورة L) اطفئ جهاز الحديقة وقم ببل قاطع التيار الكهربائي افحص الجانب السفلي بجهاز الحديقة وأخليه من البقايا عند الضرورة (ارتد قفازات حدائق دائماً)
	السكين مركبة بالاتجاه الخاطئ	ركب السكين بالاتجاه الصحيح

الخطأ	السبب المحتمل	العلاج
لا تدور السكين بعد تشغيل جهاز الحديقة	الأعشاب تعيق حركة السكين	اطفئ جهاز الحديقة وقم بحل قاطع التيار الكهربائي
		ازل الأعشاب المسببة للإعاقة (ارتد قفازات حداثق دائماً)
	صامولة/لولب السكين منملة	أحكم شد صامولة/لولب السكين (27 نيوتن متر)
اهتزازات/أصوات شديدة	صامولة/لولب السكين منملة	أحكم شد صامولة/لولب السكين (27 نيوتن متر)
	السكين تالفة	استبدل السكين (انظر الصورة L)

الصيانة والخدمة

الصيانة، التنظيف والتخزين

◀ فك المرمك عن جهاز الحديقة قبل مزاوله أي نوع من الأعمال بالجهاز (مثلاً: الصيانة، استبدال العدد وإلخ.). ينشأ خطر الإصابة بجروح عند الضغط على مفتاح التشغيل والإيقاف بشكل غير مقصود.

◀ حافظ على نظافة الجهاز، لكي تتمكن من العمل بشكل جيد وأمن.

حافظ على نظافة الجهاز وشقوق التهوية، لكي تستطيع أن تعمل بشكل جيد وأمن.

لا تبيخ الجهاز أبداً بواسطة الماء. لا تغطس الجهاز أبداً في الماء.

خُزن الجهاز في مكان آمن وجاف وبعيدا من منال الأطفال.

لا تترك أغراض أخرى على الجهاز.

تأكد من ثبات جميع الصواميل والمسامير واللواب لضمان سلامة وأمان العمل بالجهاز.

افحص الجهاز واستبدل القطع المستهلكة أو التالفة على سبيل الاحتياط.

احرص على كون الأجزاء المستبدلة صنع بوش. لا تقم بتعديلات على الجهاز.

تأكد من استقرار جميع العجلات عند ركنه لجهاز الحديقة على الأرض عند التخزين.

لا تقم بتعديلات على الجهاز. يمكن ان تؤثر التعديلات غير المسموح بها على أمان جهازك وتزيد من خطر الإصابات.

العناية بالمرمك

يرجى مراعاة الملاحظات والإجراءات التالية من أجل ضمان استخدام المرمك بشكل مثالي:

- احم المرمك من الرطوبة والماء.
- قم بخزن العدة الكهربائية والمرمك فقط في نقاط حرارة بين 20- درجة مئوية و50 درجة مئوية. مثلاً لا تترك المرمك في السيارة في الصيف.
- قم بتخزين المرمك لوحده وليس داخل جهاز الحديقة.
- لا تترك المرمك في جهاز الحديقة إن كان سيتعرض لأشعة الشمس المباشرة.
- تبلغ درجة الحرارة المثالية لخزن المرمك 5 درجة مئوية.

- نظف شقوق التهوية بالمرمك من فترة لأخرى بواسطة فرشاة طرية ونظيفة وجافة.

تدل فترة صلاحية قصيرة بعد الشحن إلى أن المرمك قد استهلك وأنه يتوجب استبداله.

خدمة العملاء واستشارات الاستخدام

يجيب مركز خدمة العملاء على الأسئلة المتعلقة بإصلاح المنتج وصيانته، بالإضافة لقطع الغيار. تجد الرسوم التفصيلية والمعلومات الخاصة بقطع الغيار في الموقع: www.bosch-pt.com

يسر فريق Bosch لاستشارات الاستخدام مساعدتك إذا كان لديك أي استفسارات بخصوص منتجاتنا وملحقاتها.

يلزم ذكر رقم الصنف ذو الخانات العشر وفقاً للوحة صنع المنتج عند إرسال أية استفسارات أو طلبيات قطع غيار.

المغرب

Robert Bosch Morocco SARL

53، شارع الملازم محمد محروود

20300 الدار البيضاء

الهاتف: 21 5 29 31 43 27

البريد الإلكتروني: sav.outillage@ma.bosch.com

تجد المزيد من عناوين الخدمة تمت:

www.bosch-pt.com/serviceaddresses

النقل

تضع مراكم أيونات الليثيوم الموصى بها لاشتراطات قانون المواد الخطرة. يسمح للمستخدم أن يقوم بنقل المراكم على الطرقات دون التقيد بأية شروط إضافية.

عندما يتم إرسالها عن طريق طرف آخر (مثلاً: الشحن الجوي أو شركة شحن)، يتوجب التقيد بشروط خاصة بصدد التغليف ووضع العلامات. ينبغي استشارة خبير متخصص بنقل المواد الخطيرة عندما يرغب بتحضير المرمك المراد شحنه في هذه الحالة.

لا تقوم بشحن المراكم إلا إذا كان هيكلها الخارجي سليم. قم بتغطية الملامسات المكشوفة ب بلاصقات، وقم بتغليف المرمك بحيث لا يتحرك في الطرد. يرجى أيضاً مراعاة التشريعات المحلية المتعلقة إن وجدت.

التخلص من العدة الكهربائية

يجب التخلص من الأجهزة والمراكم والتوايح والتغليف بطريقة منصفة بالبيئة عن طريق التدوير.



لا ترم الأجهزة والمراكم/البطاريات ضمن النفايات المنزلية!



فقط لدول الاتحاد الأوروبي:

حسب التوجيه الأوروبي EU/2012/19، يجب أن يتم جمع الأجهزة غير الصالحة للاستعمال، وحسب التوجيه الأوروبي EC/2006/66 يجب أن يتم جمع المراكم/البطاريات التالفة أو المستهلكة كل على حدة ليتم التخلص منها بطريقة محافظة على البيئة عن طريق إعادة استغلالها.

قد يتسبب التخلص غير السليم من الأجهزة الكهربائية والإلكترونية القديمة في آثار ضارة على البيئة وصحة الإنسان نتيجة لاحتمالية وجود مواد خطرة فيها.

المراكم/البطاريات:

مراكم أيونات الليثيوم:

يرجى مراعاة الإرشادات الواردة في جزء النقل (انظر „النقل“، الصفحة 17).

دستگاه شارژ را در مکانهای خشک بکار
برید.



جهت تمیز کردن ابزار باغبانی از شوینده
فشار قوی یا شلنگ استفاده نکنید.




محیط کار ابزار باغبانی را از لحاظ وجود
حیوانات وحشی و اهلی به دقت کنترل
کنید. حیوانات وحشی و اهلی ممکن
است هنگام کار با دستگاه زخمی شوند.



محیط کار دستگاه را خوب کنترل و آن را از نظر
وجود سنگ، تکه چوب، استخوان و سایر اجسام
خارجی خالی کنید. دقت کنید که هنگام کار با
دستگاه، هیچ حیوان وحشی یا اهلی یا ساقه درخت
در علف انبوه پنهان نباشد.

نکات ایمنی عمومی برای ابزارهای برقی

هشدار  کلیه هشدارها،
دستورالعملها، تصاویر و

مشخصات ارائه شده به همراه ابزار برقی را
مطالعه کنید. اشتباهات ناشی از عدم رعایت این
دستورات ایمنی ممکن است باعث برق گرفتگی،
سوخستگی و یا سایر جراحات های شدید شود.

کلیه هشدارهای ایمنی و راهنماییها را برای
آینده خوب نگهداری کنید.

عبارت «ابزار برقی» در هشدارها به ابزارهایی که به
بریز برق متصل میشوند (با سیم برق) و یا ابزارهای
برقی باتری دار (بدون سیم برق) اشاره دارد.

ایمنی محل کار

◀ محیط کار را تمیز و روشن نگه دارید.
محیطهای در هم ریخته یا تاریک احتمال بروز حادثه
را افزایش میدهند.

◀ ابزار برقی را در محیطهایی که خطر انفجار
وجود دارد و حاوی مایعات، گازها و بخارهای
ممتزقه هستند، به کار نگیرید. ابزارهای برقی
جرقههایی ایجاد میکنند که میتوانند باعث آتش
گرفتن گرد و غبارهای موجود در هوا شوند.

◀ هنگام کار با ابزار برقی، کودکان و سایر
افراد را از دستگاه دور نگه دارید. در
صورتیکه حواس شما پرت شود، ممکن است
کنترل دستگاه از دست شما خارج شود.

ایمنی الکتریکی

◀ دوشاخه ابزار برقی باید با پرز برق تناسب
داشته باشد. هیچگونه تغییری در دوشاخه
ایجاد نکنید. مبدل دوشاخه نباید همراه با
ابزار برقی دارای اتصال زمین استفاده شود.
دوشاخههای اصل و تغییر داده نشده و پرزهای
مناسب، خطر برق گرفتگی را کاهش میدهند.

◀ از تماس بدنی با قطعات متصل به سیم
اتصال زمین مانند لوله، شوقاف، اجاق برقی و
یخچال خودداری کنید. در صورت تماس بدنی با
سطوح و قطعات دارای اتصال به زمین و همچنین
تماس شما با زمین، خطر برق گرفتگی افزایش
می یابد.

فارسی

دستورات ایمنی

توضیح علائم چمنزن

هشدارهای عمومی.



دقت کنید ی راهنما را تا
انتها بخوانید.



دقت کنید که افراد نزدیک شما یا
اجسام به هوا پرت شده زخمی نشوند.



هشدار: اجسام را از اطراف دستگاه دور
کنید.



هشدار: دستها و پاها را از تیغهها دور
نگهدارید.



هشدار: باتری را پیش از انجام سرویس
بیرون آورید.



هشدار: تجهیزات قفل را پیش از انجام
سرویس جدا کنید.



مربوط نمی شود.



قبل از تماس با قسمتهای ابزار باغبانی،
بگذارید به طور کامل بایستند. تیغه ها
پس از خاموش شدن برای مدتی در
حرکت می مانند و می توانند باعث ایجاد
جراحات شوند.



زیر باران استفاده نکنید.



مربوط نمی شود.



مربوط نمی شود.



شارژر به یک ترانس ایمنی مجهز می
باشد.



- ◀ **چرخش دستگاه دور نگه دارید.** لباسهای گشاد، موی بلند و زینت آلات ممکن است در قسمتهای در حال چرخش دستگاه گیر کنند.
- ◀ **در صورتی که تجهیزاتی برای اتصال وسائل مکش گرد و غبار و یا وسیله جمع کننده گرد و غبار ارائه شده است، باید مطمئن شوید که این وسائل درست نصب و استفاده می شوند.** استفاده از وسائل مکش گرد و غبار مصونیت شما را در برابر گرد و غبار زیادتز میکند.
- ◀ **آشنایی با ابزار به دلیل کار کردن زیاد با آن نباید باعث سهل انگاری شما و نادیده گرفتن اصول ایمنی شود.** بی دقتی ممکن است باعث بروز جراحاتی در عرض کسری از ثانیه شود.
- استفاده صحیح از ابزار برقی و مراقبت از آن**
 - ◀ **از وارد کردن فشار زیاد روی دستگاه خودداری کنید.** برای هر کاری، از ابزار برقی مناسب با آن استفاده کنید. بکار گرفتن ابزار برقی مناسب باعث میشود که بتوانید از توان دستگاه بهتر و با اطمینان بیشتر استفاده کنید.
 - ◀ **در صورت ایراد در کلید قطع و وصل ابزار برقی، از دستگاه استفاده نکنید.** ابزار برقی که نمی توان آنها را قطع و وصل کرد، خطرناک بوده و باید تعمیر شوند.
 - ◀ **قبل از تنظیم ابزار برقی، تعویض متعلقات و یا کنار گذاشتن آن، دوشاخه را از برق بکشید و یا باتری آنرا خارج کنید.** رعایت این اقدامات پیشگیری ایمنی از راه افتادن ناخواسته ابزار برقی جلوگیری می کند.
 - ◀ **ابزار برقی را در صورت عدم استفاده، از دسترس کودکان دور نگه دارید و اجازه ندهید که افراد ناوارد و یا اشخاصی که این دفترچه راهنما را نخوانده‌اند، با این دستگاه کار کنند.** قرار گرفتن ابزار برقی در دست افراد ناوارد و بی تجربه خطرناک است.
 - ◀ **از ابزار برقی و متعلقات خوب مراقبت کنید.** مواظب باشید که قسمت های متحرک دستگاه خوب کار کرده و گیر نکنند. همچنین دقت کنید که قطعات ابزار برقی شکسته و یا آسیب دیده نباشند. قطعات آسیب دیده را قبل از شروع به کار تعمیر کنید. علت بسیاری از سوانح کاری، عدم مراقبت کامل از ابزارهای برقی می باشد.
 - ◀ **ابزار برش را تیز و تمیز نگه دارید.** ابزار برشی که خوب مراقبت شده و از لبه های تیز برخوردار است، کمتر در قطعه کار گیر کرده و بهتر قابل هدایت است.
 - ◀ **ابزار برقی، متعلقات، متهای دستگاه و غیره را مطابق دستورات این جزوه راهنما به کار گیرید و به شرایط کاری و نوع کار نیز توجه داشته باشید.** استفاده از ابزار برقی برای عملیاتی به جز مقاصد در نظر گرفته شده، میتواند به بروز شرایط خطرناک منجر شود.
 - ◀ **دستها و سطوح عایق را همواره خشک، تمیز و عاری از روغن و گریس نگه دارید.** دسته های لغزنده مانع ایمنی و کنترل در کار در شرایط غیر منتظره هستند.

- ◀ **ابزارهای برقی را در معرض باران و رطوبت قرار ندهید.** نفوذ آب به ابزار برقی، خطر شوک الکتریکی را افزایش میدهد.
- ◀ **از سیم دستگاه برای مقاصد دیگر استفاده نکنید.** هرگز برای حمل ابزار برقی، کشیدن آن یا خارج کردن دوشاخه از سیم دستگاه استفاده نکنید. کابل دستگاه را از حرارت، روغن، لپه‌های تیز یا قطعات متحرک دور نگه دارید. کابلهای آسیب دیده و یا گره خورده خطر شوک الکتریکی را افزایش میدهند.
- ◀ **هنگام استفاده از ابزار برقی در محیطهای باز، تنها از کابل رابطی استفاده کنید که برای محیط باز نیز مناسب باشد.** کابل های رابط مناسب برای محیط باز، خطر برق گرفتگی را کم می کنند.
- ◀ **در صورت لزوم کار با ابزار برقی در محیط و اماکن مرطوب، باید از یک کلید حفاظتی جریان خطا و نشستی زمین (کلید قطع کننده اتصال با زمین) استفاده کنید.** استفاده از کلید حفاظتی جریان خطا و نشستی زمین خطر برق گرفتگی را کاهش می دهد.
- رعایت ایمنی اشخاص**
 - ◀ **حواس خود را خوب جمع کنید، به کار خود دقت کنید و با فکر و هوشیاری کامل با ابزار برقی کار کنید.** در صورت خستگی و یا در صورتی که مواد مخدر، الکل و دارو استفاده کرده‌اید، با ابزار برقی کار نکنید. یک لحظه بی توجهی هنگام کار با ابزار برقی، میتواند جراحات های شدیدی به همراه داشته باشد.
 - ◀ **از تجهیزات ایمنی شخصی استفاده کنید.** همواره از عینک ایمنی استفاده نمایید. استفاده از تجهیزات ایمنی مانند ماسک ضد گرد و غبار، کفشهای ایمنی ضد لغزش، کلاه ایمنی و گوشی محافظ متناسب با نوع کار با ابزار برقی، خطر مجروح شدن را کاهش میدهد.
 - ◀ **مواظب باشید که ابزار برقی بطور ناخواسته بکار نیفتند.** قبل از وارد کردن دوشاخه دستگاه در پریز برق، اتصال آن به باتری، برداشتن آن و یا حمل دستگاه، باید دقت کنید که ابزار برقی خاموش باشد. در صورتی که هنگام حمل دستگاه انگشت شما روی دکمه قطع و وصل باشد و یا دستگاه را در حالت روشن به برق بزنید، ممکن است سوانح کاری پیش آید.
 - ◀ **قبل از روشن کردن ابزار برقی، همه ابزارهای تنظیم کننده و آچارها را از روی دستگاه بردارید.** ابزار و آچارهایی که روی بخش های چرخنده دستگاه قرار دارند، میتوانند باعث ایجاد جراحات شوند.
 - ◀ **وضعیت بدن شما باید در حالت عادی قرار داشته باشد.** برای کار جای مطمئنی برای خود انتخاب کرده و تعادل خود را همواره حفظ کنید. به این ترتیب میتوانید ابزار برقی را در وضعیتهای غیر منتظره بهتر تحت کنترل داشته باشید.
 - ◀ **لباس مناسب بپوشید.** از پوشیدن لباسهای گشاد و حمل زینت آلات خودداری کنید. موها و لباس خود را از بخشهای در حال

- ◀ **محوطه کاربری چمنزن را کنترل کنید و هر گونه سنگ، تکه چوب، سیم، استخوان یا سایر اجسام خارجی را جمع کنید.** اجسام خارجی به هوا پرت شده ممکن است باعث جراحت اشخاص شوند.
- ◀ **همواره پیش از کاربری چمنزن یک بازرسی ظاهری انجام دهید تا مطمئن شوید که تیغه و واحد تیغه، فرسوده یا آسیب دیده نباشند.** قسمتهای آسیب دیده یا فرسوده شده خطر جراحت را افزایش میدهند.
- ◀ **سطل جمعآوری را مرتب از لحاظ فرسودگی یا آسیب دیدگی کنترل کنید.** یک سطل جمعآوری فرسوده یا آسیب دیده ممکن است خطر جراحت را افزایش دهد.
- ◀ **بگذارید تجهیزات ایمنی نصب شده بمانند. تجهیزات ایمنی بایستی کاملاً بینقص و اصولی نصب شده باشند.** تجهیزات ایمنی شل یا آسیب دیده یا بدون عملکرد صحیح ممکن است منجر به بروز جراحت شوند.
- ◀ **همه شیارهای تهویه را تمیز نگهدارید.** شیارهای تهویه آلوده یا مسدود ممکن است باعث داغ شدن زیاد یا آتشسوزی شوند.
- ◀ **هنگام کار با چمنزن همواره از کفش ضد لغزش و محافظ استفاده کنید.** با پای برهنه یا با صندلهای باز از چمنزن استفاده نکنید. اینگونه خطر جراحت پاها به خاطر تماس با قسمتهای متحرک را کاهش میدهند.
- ◀ **هنگام کار با چمنزن همواره از شلوار بلند استفاده کنید.** پوست بدون محافظ، خطر جراحت را توسط اجسام خارجی به هوا پرت شده افزایش میدهد.
- ◀ **چمن زن را در چمن مرطوب بکار نبرید.** راه بروید، هرگز ندوید. اینگونه خطر لغزش یا افتادن و در نتیجه آن جراحت را کاهش میدهند.
- ◀ **از چمنزن روی سراسبیهایی تند استفاده نکنید.** اینگونه خطر از دست دادن کنترل، لغزش یا افتادن و در نتیجه آن جراحت را کاهش میدهند.
- ◀ **هنگام کار روی سراسیبی به محکم بودن جایگاه خود توجه کنید، همواره به صورت کج نسبت به سراسیبی کار کنید و نه از بالا یا پایین، و هنگام تغییر جهت کار بسیار احتیاط کنید.** اینگونه خطر از دست دادن کنترل، لغزش یا واژگونی و در نتیجه آن جراحت را کاهش میدهند.
- ◀ **هنگام قدم گذاشتن به عقب یا کشیدن محصول به طرف خود بسیار با احتیاط عمل کنید.** هنگام کار به محیط خود همیشه توجه کنید. اینگونه خطر برخورد و افتادن هنگام کار را کاهش میدهند.
- ◀ **به تیغهها یا سایر قسمتهای متحرک در طول حرکت دست نزنید.** اینگونه خطر جراحت توسط قسمتهای متحرک را کاهش میدهند.
- ◀ **هنگام جدا کردن جسم گیر کرده یا تمیز کردن چمنزن، مطمئن شوید که تمام کلیدها روی AUS باشند و باتری جدا شده باشد.** روشن شدن اتفاقی چمنزن ممکن است منجر به بروز جراحتهای سخت گردد.
- ◀ **مراقبت و طرز استفاده از ابزارهای شارژی باتریها را منحصراً توسط شارژرهایی که توسط سازنده توصیه شدهاند، شارژ کنید.** در صورتی که برای شارژ باتری، آنرا در شارژری قرار دهید که برای آن باتری ساخته نشده است، خطر آتش سوزی وجود دارد.
- ◀ **در ابزارهای برقی فقط از باتریهایی استفاده کنید که برای آن نوع ابزار برقی در نظر گرفته شدهاند.** استفاده از باتریهای متفرقه میتواند منجر به بروز جراحت و حریق گردد.
- ◀ **در صورت عدم استفاده از باتری باید آنرا از گیره های فلزی، سکه، کلید، میخ، پیچ و دیگر وسائل کوچک فلزی دور نگه دارید، زیرا این وسائل ممکن است باعث ایجاد اتصالی شوند.** ایجاد اتصالی بین دو قطب باتری (ترمینالهای باتری) میتواند باعث سوختگی و ایجاد حریق شود.
- ◀ **استفاده بی رویه از باتری میتواند باعث خروج مایعات از آن شود؛ از هر گونه تماس با این مایعات خودداری کنید.** در صورت تماس اتفاقی با آن، دست خود و یا محل تماس را با آب بشوئید. در صورت آلوده شدن چشم با این مایع، باید به پزشک مراجعه کنید. مایع خارج شده از باتری میتواند باعث التهاب پوست و سوختگی شود.
- ◀ **هرگز از باتری یا ابزار آسیب دیده یا دست کاری شده استفاده نکنید.** باتریهای آسیب دیده ممکن است کارکرد غیر منتظرهای داشته باشند و منجر به آتش سوزی، انفجار یا جراحت شوند.
- ◀ **باتری یا ابزار را در معرض آتش یا دمای زیاد قرار ندهید.** قرار گرفتن در معرض آتش یا دمای بالاتر از 130 درجه سانتیگراد میتواند باعث انفجار شود.
- ◀ **همه راهنماییهای مربوط به شارژ را رعایت کنید و باتری یا ابزار را خارج از محدوده دمای تعریف شده در دستورات شارژ نکنید.** شارژ کردن نادرست یا در دمای خارج از محدوده تعریف شده ممکن است به باتری صدمه بزند و خطر آتش سوزی را افزایش دهد.
- ◀ **سرویس**
- ◀ **برای تعمیر ابزار برقی فقط به متخصصین حرفهای رجوع کنید و از قطعات یدکی اصل استفاده نمایید.** این باعث خواهد شد که ایمنی دستگاه شما تضمین گردد.
- ◀ **هرگز باتریهای آسیب دیده را تعمیر نکنید.** باتری باید تنها توسط متخصصین مجاز شرکت تعمیر شوند.
- ◀ **دستورات ایمنی برای چمنزن**
- ◀ **با چمنزن هنگام باد و باران قوی و بخصوص رعد و برق کار نکنید.** اینگونه از خطر صاعقه زدگی جلوگیری می کنید.
- ◀ **دقت کنید که هنگام کار با دستگاه، هیچ گونه حیوان جنگلی در محوطه کار وجود نداشته باشد.** امکان برخورد حیوانات جنگلی با چمنزن و مجروح شدن آنها وجود دارد.

سایر هشدارهای ایمنی

- هنگام تنظیم دستگاه دقت کنید که انگشتان شما بین قسمتهای متحرک تیغه‌ها و بخشهای ثابت دستگاه گیر نکنند.
- بگذارید دستگاه پیش از نگهداری در انبار خنک شود.
- سطل جمع آوری چمن را پیش از نگهداری در انبار خالی کنید.

کاربری

- توصیه می‌کنیم که علاوه بر ایمنی شخصی از گوشی ایمنی نیز استفاده کنید.
- تیغه‌ها بایستی رو به بالا باشند، هنگامی که ابزار باغبانی را جهت حمل و بر می‌گردانید، وقتی که از روی سطوح پوشیده بدون علف رد می‌شوید و هنگامی که ابزار باغبانی را از یا به جایی جهت چمن زنی حمل می‌کنید.
- هنگام روشن کردن یا روشن ماندن موتور، ابزار باغبانی را واژگون نکنید.
- ابزار باغبانی را مطابق دستورات دفترچه راهنما روشن کنید و دقت کنید که پاهای شما به اندازه کافی از بخشهای در حال چرخش دور باشند.
- دستها و پاهای خود را در نزدیکی یا زیر بخشهای در حال چرخش نبرید.
- هنگام کار با ابزار باغبانی از محدوده پرتاب چمن فاصله بگیرید.
- ابزار باغبانی را هرگز با موتور روشن بلند یا حمل نکنید.
- دقت کنید که هنگام نگهداری در انبار، ابزار باغبانی با هر 4 چرخ روز زمین قرار گیرد.
- ابزار باغبانی را تنها از دسته بلند کنید. دسته را با احتیاط بگیرید.

قطع کننده جریان برق را فعال کنید:

- وقتی که خود را از ابزار باغبانی جدا می‌کنید.
- قبل از رفع گیر یا بلوکه‌ها،
- هنگام کنترل ابزار باغبانی، تمیز یا روی آن کار کردن.
- پس از برخورد با یک جسم خارجی، ابزار باغبانی را سریع از لحاظ آسیب دیدگی کنترل کنید و تیغه را در صورت نیاز تعویض نمایید.
- چنانچه ابزار باغبانی به طور غیر عادی شروع به لرزیدن کرد (فورا کنترل کنید).

جمع آوری برگ

- تیغه برگ جمع‌کن به شکلی است که برگهای پاییز را از روی چمن شما جمع آوری می‌کند. جهت رسیدن به نتیجه بهینه، به موارد زیر توجه نمایید:
- برگ‌ها را تنها در صورت داشتن داشتن بیشینه ارتفاع برش جمع آوری کنید.
- تنها برگهای روی چمن خود را جمع کنید.
- قبل از جمع آوری برگ، سطح کار را کنترل کنید و خود را از انسانها، حیوانات، اشیاء و ماشین دور نگهدارید.

نکاتی برای کار بهینه با باتری شارژی

- باتری را باز نکنید. خطر اتصال کوتاه وجود دارد.
- باتری شارژی را در برابر گرما (مانند تابش مستقیم نور خورشید)، رطوبت، آتش، آب محفوظ بدارید. خطر انفجار وجود دارد.



- اگر دستگاه را بکار نمی‌برید، باتری شارژی را از نزدیکی با گیره‌های کاغذ، سکه، کلید، میخ، پیچ یا سایر اشیاء فلزی که باعث اتصال دو قطب می‌شوند، دور نگهدارید. ایجاد اتصال بین دو قطب باتری (ترمینالهای باتری) میتواند باعث سوختگی و ایجاد حریق شود.

- در صورت استفاده غیر معمول یا آسیب دیدگی باتری شارژی ممکن است بخار خارج گردد. هوا را تازه کنید و در صورت بروز ناراحتی به پزشک مراجعه کنید. این بخارها می‌توانند مجاری تنفسی را تحریک کنند.

- تنها از باتری برای محصولات تولیدی شرکت استفاده کنید. فقط در اینصورت باتری در برابر خطر اعمال فشار بیش از حد محافظت میشود.

- بوسیله‌ی اشیاء تیز مانند میخ یا پیچگوشتی یا تأثیر نیروی خارجی ممکن است باتری آسیب ببیند. ممکن است اتصالاتی داخلی رخ دهد و باتری آتش گیرد، دود کند، منفجر شود یا بیش از حد داغ گردد.

- از اتصال کوتاه باتری خودداری کنید. خطر انفجار وجود دارد.

- گاه بگاہ شیارهای تهویه باتری را بوسیله یک قلم موی یا برس کوچک نرم و خشک تمیز کنید.

- دستگاه را تنها با دستگاه شارژ ارسالی شارژ کنید.

علامت‌ها



علامتهای ذیل برای استفاده از چاروبرقی مهم می‌باشند. لطفا این علائم و معانی آنها را به خاطر بسپارید. فهم درست این علائم به شما جهت استفاده‌ی درست و ایمن از محصول کمک می‌کند.

معنی	علامت
مسیر یا جهت حرکت	
مسیر یا جهت عکس العمل	
از دستکش ایمنی استفاده کنید	
وزن	
نمونه روشن کردن	
نمونه خاموش کردن	
کاربری مجاز	

باعث برق گرفتگی، سوختگی و یا سایر جراثیم های شدید شود.
به تصاویر مربوط در انتهای بخش دفترچه راهنما توجه کنید.

موارد استفاده از دستگاه

ابزار باغبانی جهت چمن زنی در محیط شخصی در نظر گرفته شده است.
ابزار باغبانی جهت بریدن شمشاد، کوتاه کردن، خرد کردن و غیره در نظر گرفته نشده است.
ابزار باغبانی جهت چمن زنی روی زمین در نظر گرفته نشده است.

معنی	علامت
عملکرد ممنوع و غیر مجاز	
سر و صدای قابل شنیدن	CLICK
متعلقات/قطععات یدکی	

تشریح دستگاه و عملکرد آن

همه دستورات ایمنی و راهنمایی ها را بخوانید. اشتباهات ناشی از عدم رعایت این دستورات ایمنی ممکن است



مشخصات فنی

AdvancedRotak 36V-44-750		AdvancedRotak 36V-40-650		ماشین چمن زن
3 600 HB9 G..	3 600 HB9 F..			شماره فنی
36	36	V		ولتاژ نامی
44	40	cm		عرض برش
80 - 25	80 - 25	میلیمتر		ارتفاع برش
50	50	l		حجم، کیسه جمع آوری چمن
16.6	16.7	kg		وزن مطابق با IEC 62841-1 / IEC 62841-4-3
35+ ...0	35+ ...0	°C		دمای توصیه شده محیط هنگام شارژ
50+ ...20-	50+ ...20-	°C		دمای مجاز محیط هنگام کار و هنگام نگهداری
GBA 36V 4,0 Ah, 6,0 Ah	GBA 36V 2,0 Ah, 4,0 Ah, 6,0 Ah			نوع باتری شارژی

تمام مقادیر موجود در این دفترچه برای کاربری برابر یا کمتر از 2000 متر بالاتر از سطح دریا اندازه گیری شده اند.

نوع عملکرد	تصویر	صفحه
تا کردن کیسه جمع‌آوری چمن	J	34
جمع کردن گیره دسته	K	35
مراقبت از تیغه/تعویض تیغه	L	36
نحوه انتخاب متعلقات	M	36

(A) کلیه متعلقاتی که در تصویر و یا در متن آمده است، بطور معمول همراه دستگاه ارائه نمیشود. لیست کامل متعلقات را در برنامه متعلقات ما می یابید.

نحوه کاربرد دستگاه

برای ایمنی شما

- ◀ توجه! ابزار باغبانی را خاموش کنید، قطع کننده جریان برق را رها کنید و قبل از انجام سرویس و تمیز کردن، باتری را درآورید.
- همین کار را در صورت بریدگی، آسیب دیدگی یا کلافه شدن کابل دستگاه انجام دهید.
- ◀ پس از خاموش شدن ابزار باغبانی، تیغه آن چند ثانیه در حرکت می ماند.
- ◀ احتیاط: به تیغه در حال چرخش دست نزنید.

نحوه نصب و کاربرد

نوع عملکرد	تصویر	صفحه
متمویات ارسالی ^(A)	A	27
باز کردن گیره دسته	B	28
تنظیم ارتفاع کار برداشتن/نصب کیسه جمع آوری چمن	C	29
تنظیم ارتفاع برش	D	29
جاگذاری باتری	E	30
کاربرد	F	31
- از فیوز مربوط مربوط استفاده کنید		
- روشن کنید		
- چمن زنی		
- خاموش کنید		
- فیوز مربوط را بردارید		
برداشتن باتری	G	32
تذکر برای «چمن زدن»	H	33
نمایشگر وضعیت کیسه جمع آوری چمن خالی/پر	I	34

برای برداشتن باتری از دستگاه، دکمه آزاد کننده قفل باتری را فشار دهید و باتری را بیرون بکشید.

راهنمائی های عملی

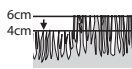
توان برش (مدت کارکرد باتری)

توان برش (مدت کارکرد باتری) به مشخصات چمن یعنی تراکم، رطوبت، اندازه و ارتفاع چمن بستگی دارد.

خاموش روشن کردن مکرر ابزار باغبانی هنگام چمن زنی توان برش (مدت کارکرد باتری) را کاهش می دهد.

جهت بهینه سازی توان برش (مدت کارکرد باتری) توصیه می شود، به دفعات چمن زنی کنید، ارتفاع برش را بیشتر نمایید و با سرعت مناسب حرکت کنید. مثال زیر رابطه بین ارتفاع برش و توان برش را با توجه به باتری نشان می دهد.

شرایط برش



چمن بسیار نازک و خشک

توان برش	باتری با
تا 250 m ²	Ah 2,0
تا 500 m ²	Ah 4,0
تا 750 m ²	Ah 6,0

برای افزایش مدت کارکرد می توان یک باتری اضافی را از یکی از نمایندگی های مجاز Bosch خریداری کرد

◀ تنها شارژرهای ذکر شده در مشخصات فنی را بکار برید. فقط این شارژ کننده ها با باتری های لیتیوم یونی محصول شما مطابقت دارند.

نحوه شارژ کردن باتری

باتری شارژی مجهز به سیستم کنترل کننده دما است که شارژ بین 0°C و 35°C را ممکن می سازد. به این ترتیب طول عمر باتری افزایش می یابد.

تذکر: باتری دستگاه با شارژ اولیه ارسال می شود. برای دست یافتن به توان کامل باتری، بایستی باتری را پیش از اولین بار استفاده، در دستگاه شارژ بطور کامل شارژ کنید.

باتریهای لیتیوم-یونی را می توان همیشه شارژ کرد، بدون اینکه از طول عمر آنها کاسته شود. قطع شارژ باتری به آن آسیبی وارد نمی کند.

باتری لیتیوم-یونی از طریق „Electronic Cell Protection (ECP)“ در مقابل خالی شدن کامل محافظت می شود. در صورت خالی بودن باتری، محصول بوسیله کلید حفاظتی خاموش می شود؛ ابزار باغبانی دیگر کار نمی کند.

پس از خاموش شدن خودکار دستگاه، دوباره روی کلید خاموش/روشن فشار نیاورید. امکان آسیب دیدن باتری وجود دارد.

به نکات مربوط به نحوه از رده خارج کردن باتری توجه کنید.

قرار دادن/برداشتن باتری

تذکر: در صورت استفاده از باتری های نامناسب، امکان بروز اختلال در عملکرد یا آسیب دیدگی دستگاه وجود دارد.

باتری شارژ شده را قرار دهید. مطمئن شوید که باتری کاملاً جا افتاده است.

جستجوی خطا



ایراد	دلیل ممکن	راهنمایی
موتور راه نمی افتد	اتصال درونی کابل های ابزار باغبانی معیوب است	به نمایندگی Bosch مراجعه کنید
باتری خالی است	باتری خالی است	باتری را شارژ کنید
باتری خیلی سرد/خیلی داغ است	چمن خیلی بلند است	بگذارید باتری گرم/خنک شود
مقاومت موتور فعال شده است	قطع کننده جریان برق نادرست/ناقص نصب شده است	بیشترین ارتفاع مجاز چمن با حداکثر تنظیم ارتفاع برش برابر است با 30 سانتیمتر
ایزار باغبانی با توقف کار می کند	مقاومت موتور فعال شده است	بگذارید موتور خنک شود و ارتفاع برش بیشتری را تنظیم کنید

ایراد	دلیل ممکن	راهنمایی
ابزار باغبانی تصویر برش منظمی بدست نمی دهد و/یا موتور سخت کار می کند	ارتفاع برش کم است تیغه کند است امکان گرفتگی	ارتفاع برش بیشتری را تنظیم کنید تیغه را تعویض کنید (رج ۱-کنید به تصویر ابزار باغبانی را خاموش و فیوز مربوط را قطع کنید قسمت پایین ابزار باغبانی را کنترل و در صورت نیاز خالی کنید (همواره از دستکش باغبانی استفاده کنید)
پس از روشن کردن ابزار باغبانی تیغه نمی چرخد	تیغه از طرف اشتباه نصب شده است تیغه توسط چمن، گیر کرده است	تیغه را از طرف صحیح نصب کنید ابزار باغبانی را خاموش و فیوز مربوط را قطع کنید گرفتگی را برطرف کنید (همواره از دستکش باغبانی استفاده کنید)
لرزش شدید/سر و صدا	مهره تیغه/پیچ تیغه شل است مهره تیغه/پیچ تیغه شل است تیغه آسیب دیده است	مهره تیغه/پیچ تیغه را سفت کنید (Nm 27) مهره تیغه/پیچ تیغه را سفت کنید (Nm 27) تیغه را تعویض کنید (رج ۱-و ع کنید به تصویر)

مراقبت و سرویس

سرویس، تمیز کردن و نگهداری

◀ قبل از هر گونه کاری روی ابزار باغبانی (از قبیل سرویس، تعویض ابزار و غیره) و نیز حمل و نقل و نگهداری، باتری را از ابزار اندازه گیری بیرون آورید. در صورت تماس ناخواسته و اتفاقی با کلید قطع و وصل، خطر آسیب دیدگی و بروز جراحات وجود دارد.

◀ جهت کار کردن خوب و مطمئن، محصول را تمیز نگهدارید.

محصول و درپچه ی تهویه را برای کارایی خوب و امن تمیز نگهدارید.
مانع پاشش آب به محصول شوید.
محصول را در آب فرو نکنید.

محصول را در یک جای خشک، امن و دور از دسترس کودکان قرار دهید.

هیچ جسمی را روی محصول قرار ندهید.

از محکم بودن مهره ها، پین ها و پیچها مطمئن شوید تا وضعیت کار ایمنی برای محصول تضمین گردد.

محصول را کنترل کنید و قسمت های فرسوده یا آسیب دیده را جهت اطمینان تعویض کنید.

مطمئن شوید که قطعات تعویضی از شرکت بوش باشند. دستگاه را دستکاری نکنید.

دقت کنید که هنگام نگهداری در انبار، ابزار باغبانی با هر 4 چرخ روز زمین قرار گیرد.

دستگاه را دستکاری نکنید. دستکاری غیر مجاز ممکن است امنیت محصول شما را کاهش و خطر جراحات را افزایش دهد.

مراقبت از باتری

جهت تضمین استفاده بهینه از باتری به راهنماییهای زیر توجه کنید:

- باتری شارژی را در برابر رطوبت و تابش مستقیم نور خورشید محفوظ بدارید.
- ابزار برقی را شارژ کنید و باتری را در محدوده بین 20°C تا 50°C نگهداری کنید. باتری را در تابستان در ماشین نگذارید.
- باتری را به صورت مجزا و نه در ابزار باغبانی نگهداری کنید.
- باتری را زیر تابش مستقیم نور خورشید در ابزار باغبانی قرار ندهید.
- دمای بهینه جهت نگهداری باتری 5°C است.
- گاه بگاہ شیارهای تهویه باتری را بوسیله یک قلم موی یا برس کوچک نرم و خشک تمیز کنید.
- مدت زمان کارایی بسیار کوتاه پس از شارژ، نشاندهنده فرسوده بودن باتری شارژی است و بایستی تعویض شود.

خدمات و مشاوره با مشتریان

خدمات مشتری، به سئوالات شما درباره تعمیرات، سرویس و همچنین قطعات یدکی پاسخ خواهد داد. نقشههای سه بعدی و اطلاعات مربوط به قطعات یدکی را در تارنمای زیر مییابید:

www.bosch-pt.com

گروه مشاوره به مشتریان Bosch با کمال میل به سئوالات شما درباره محصولات و متعلقات پاسخ می دهند.

برای هرگونه سؤال و یا سفارش قطعات یدکی، حتماً شماره فنی 10 رقمی کالا را مطابق برچسب روی ابزار برقی اطلاع دهید.

ایران

روبرت بوش ایران - شرکت بوش تجارت پارس میدان ونک، خیابان شهید خدای، خیابان آفتاب ساختمان مادیران، شماره 3، طبقه سوم.

تهران 1994834571
تلفن: 42039000 +9821

آدرس سایر دفاتر خدماتی را در ادامه ببینید:

www.bosch-pt.com/serviceaddresses

حمل دستگاه

باتری های لیتیوم یونی توصیه شده، مشمول الزامات قانون کالاهای خطرناک هستند. کاربر می تواند باتری ها را بدون استفاده از روکش در خیابان حمل کند. در صورت ارسال توسط شخص ثالث (مانند: حمل و نقل هوایی یا زمینی) باید تمهیدات مربوط به بسته بندی و علامتگذاری مورد توجه قرار گیرد. در اینصورت باید حتما جهت آماده سازی قطعه ارسالی به کارشناس حمل کالاهای پر خطر مراجعه کرد. باتریها را فقط در صورتی ارسال کنید که بدنه آنها آسیب ندیده باشد. اتصالات (کنتاکتهای) باز را بپوشانید و باتری را طوری بسته بندی کنید که در بسته بندی تکان نخورد. در این باره لطفاً به مقررات و آیین نامه های ملی توجه کنید.

از رده خارج کردن دستگاه

ابزار های باغبانی، باتری ها، متعلقات و بسته بندی آن، باید طبق مقررات حفظ محیط زیست از رده خارج و بازیافت شوند.



محصولات و باتری ها/ باتری های قابل شارژ را داخل زباله دان خانگی نیندازید!



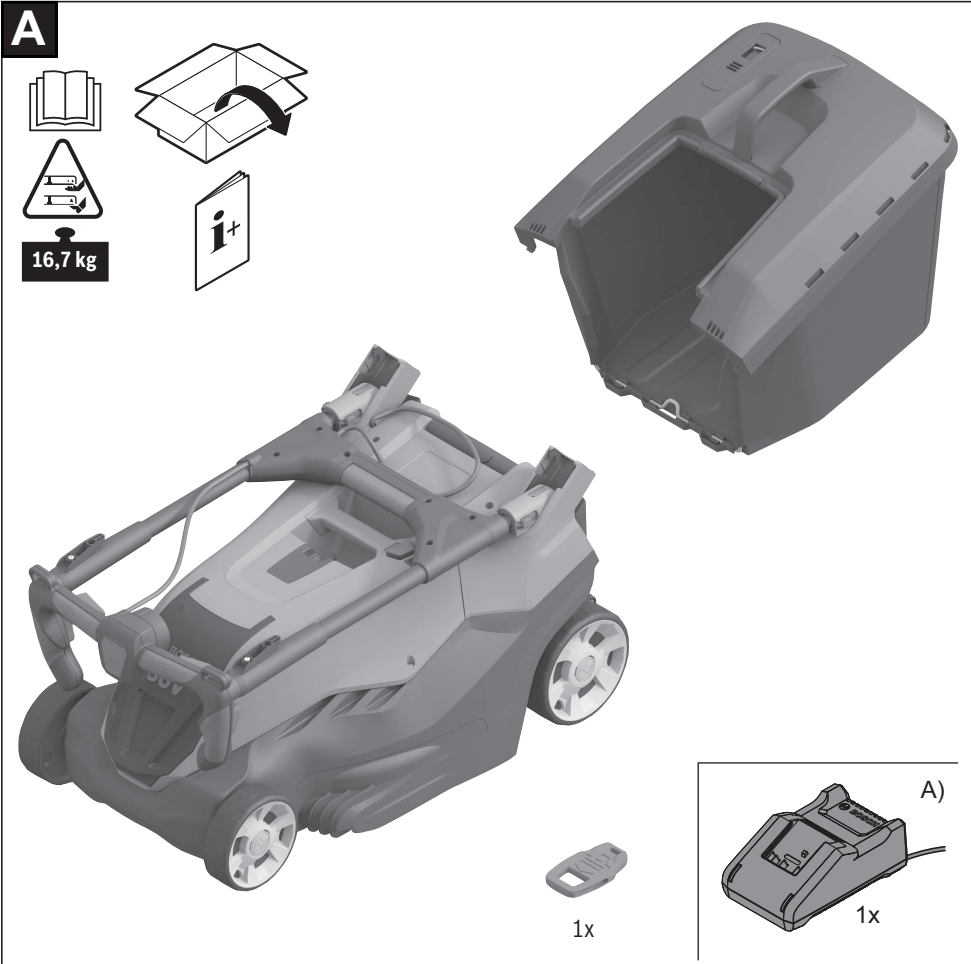
فقط برای کشورهای عضو اتحادیه اروپا:

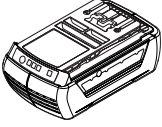
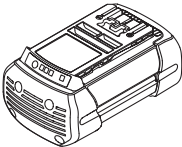
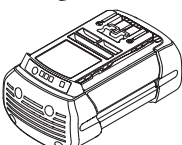
دستگاههای کهنه و غیر قابل استفاده طبق آئین نامه و دستورالعمل اروپائی 2012/19/EU و باتریهای خراب یا فرسوده براساس آیین نامه ی اروپایی 2006/66/EG بایستی جداگانه و متناسب با محیط زیست جمع آوری شوند. در صورت دفع نادرست ضایعات تجهیزات الکتریکی و الکترونیکی، به دلیل وجود احتمالی مواد خطرناک، اثرات مضر بر محیط زیست و سلامت انسان خواهند داشت.

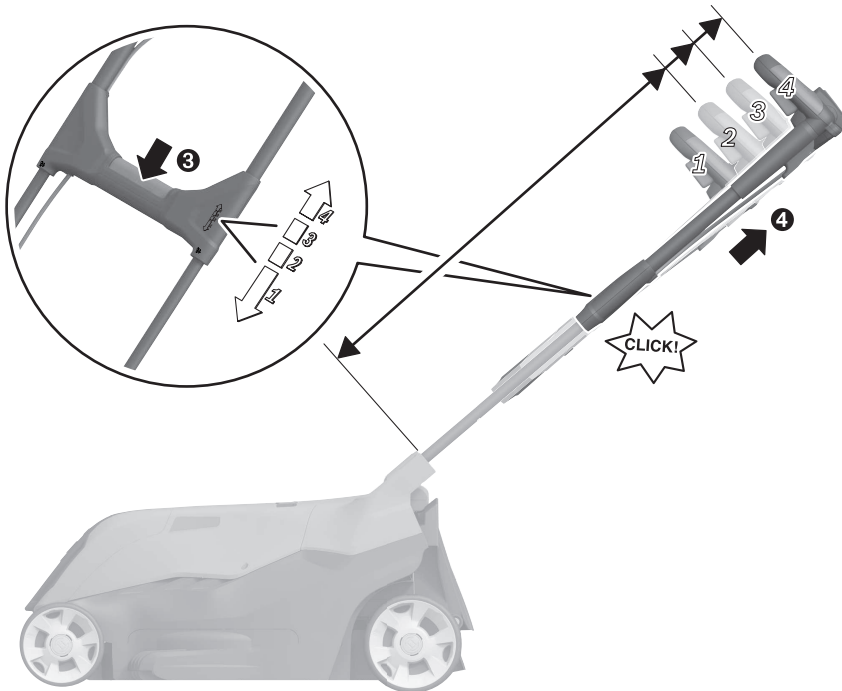
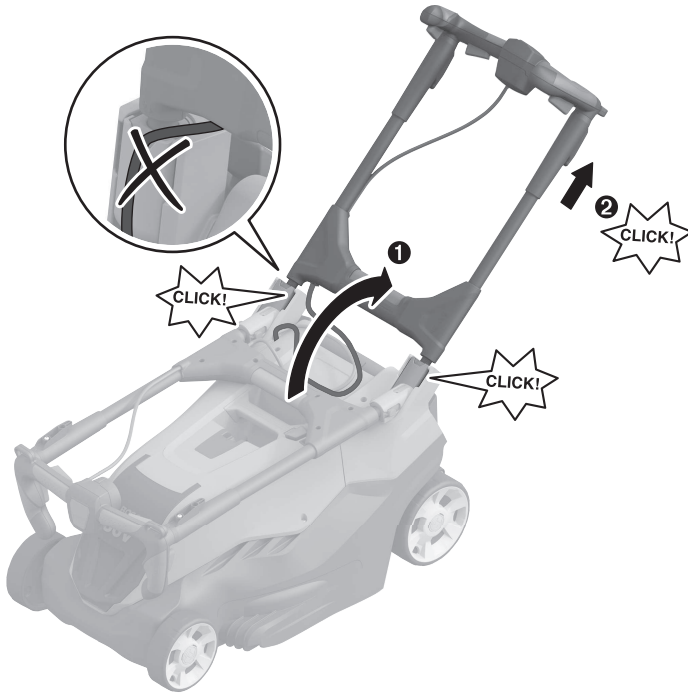
باتریهای شارژی/قلمی:

لیتیوم-یونی:

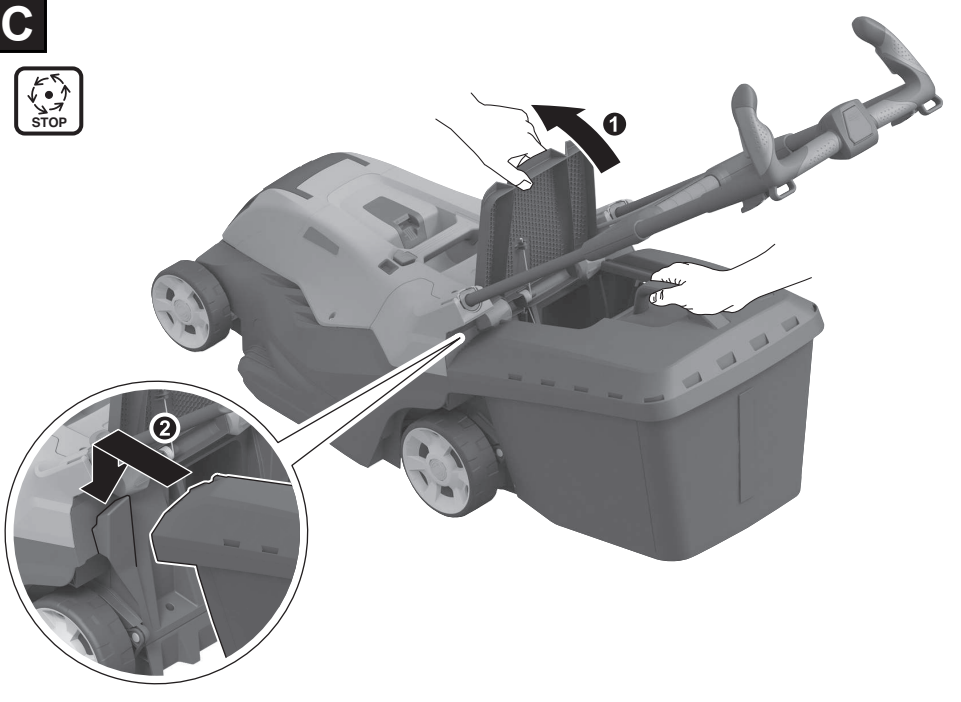
لطفاً به تذکرات بخش (رجوع کنید به „حمل دستگاه“، صفحه 26) توجه کنید.



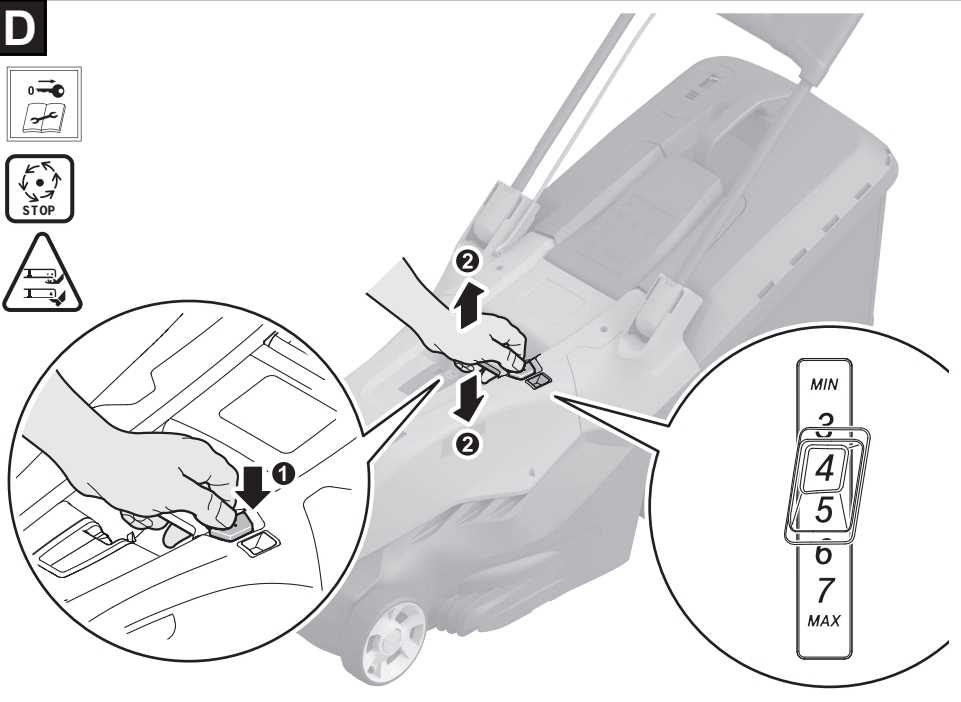
AdvancedRotak 36V-40-650		(2x) 36V 2.0 Ah
AdvancedRotak 36V-40-650 AdvancedRotak 36V-44-750		36V 4.0 Ah (2x) 36V 4.0 Ah
AdvancedRotak 36V-44-750		36V 6.0 Ah

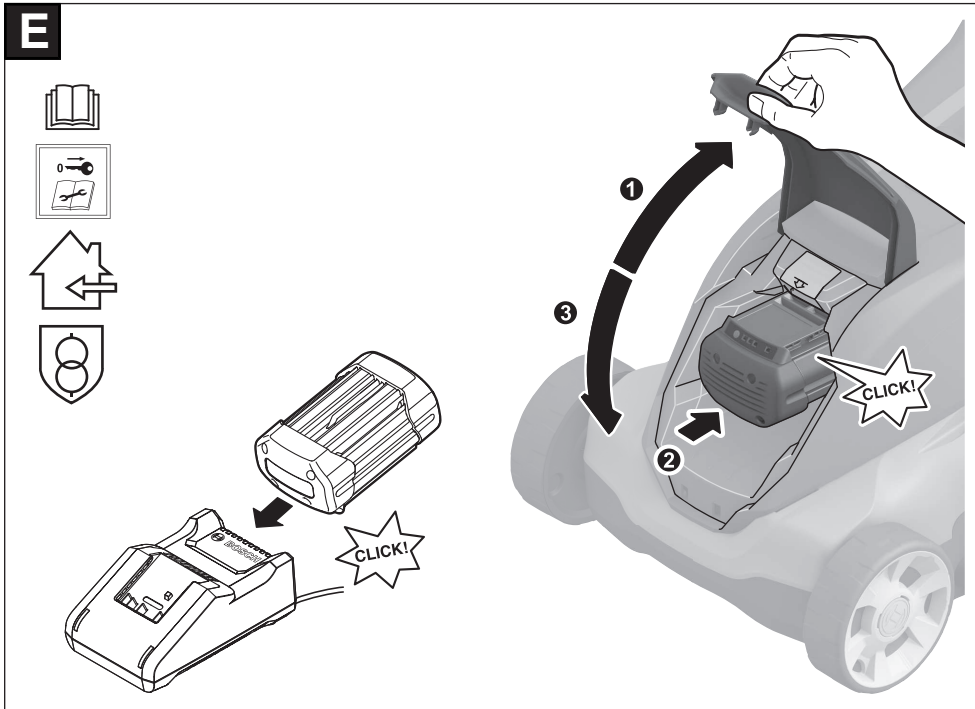
B

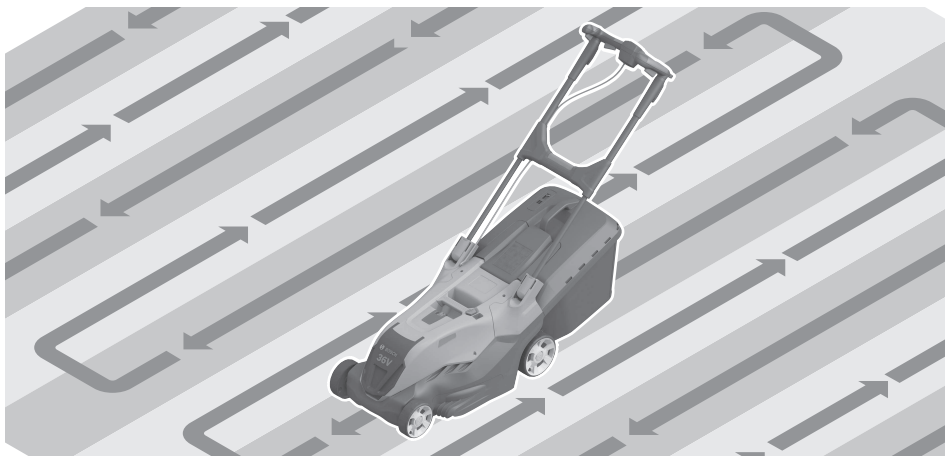
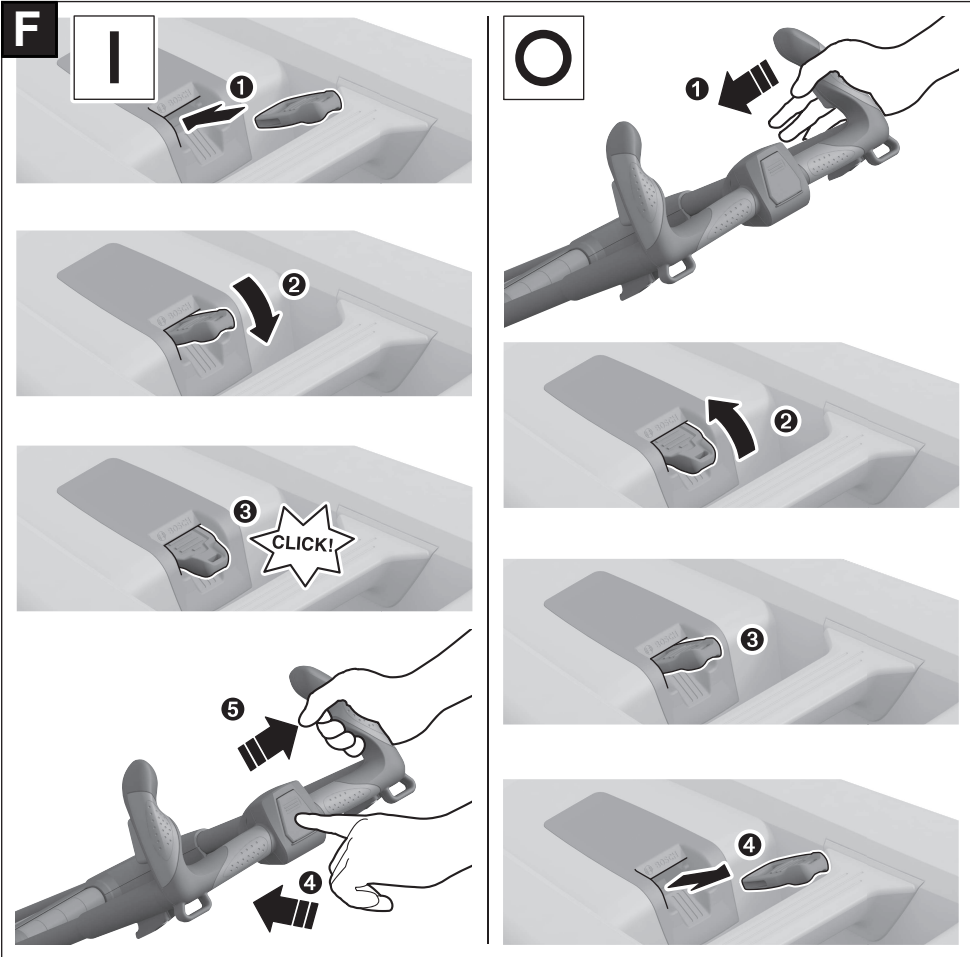
C

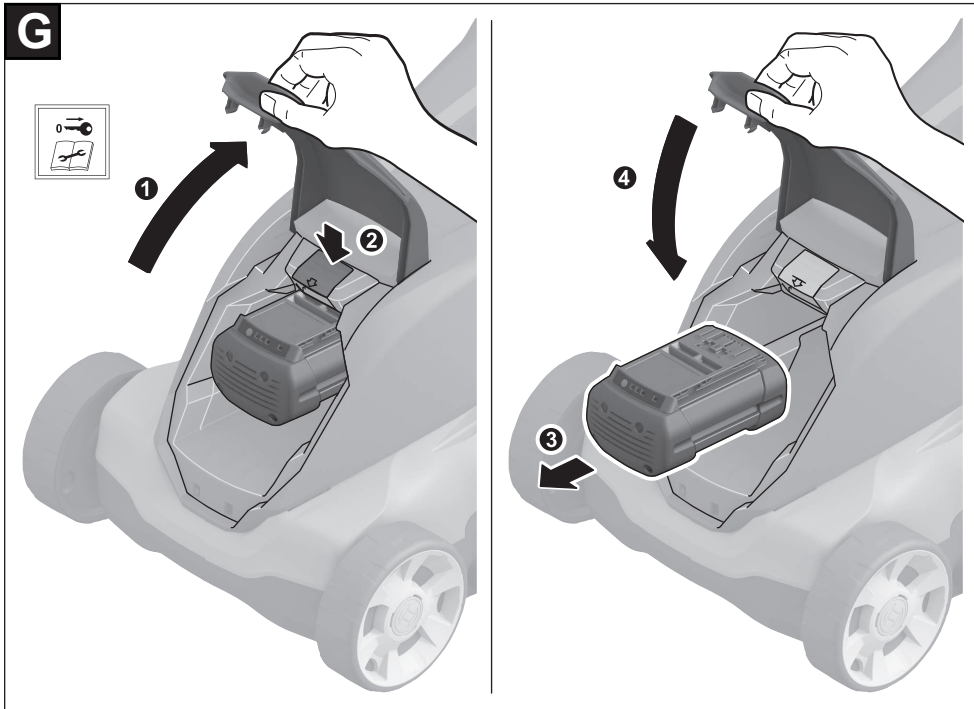


D

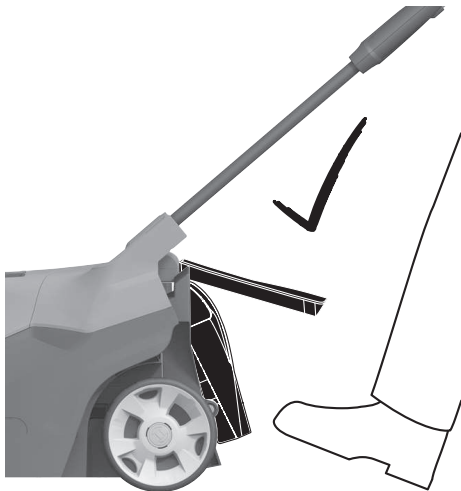
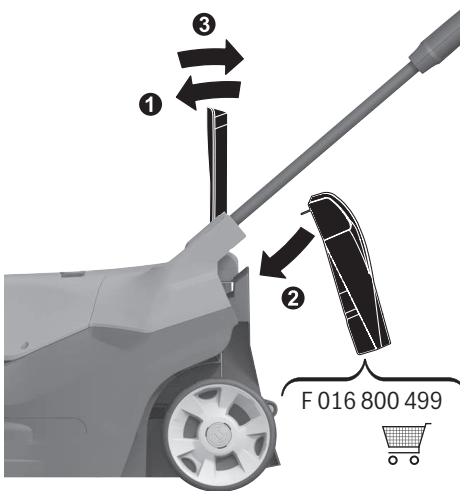
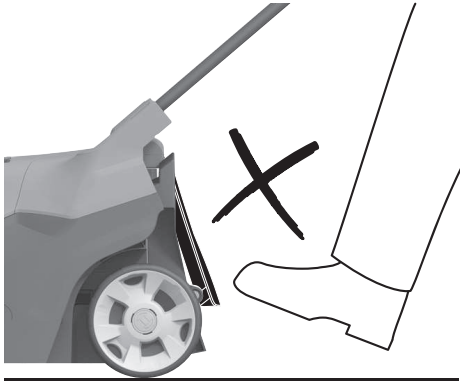


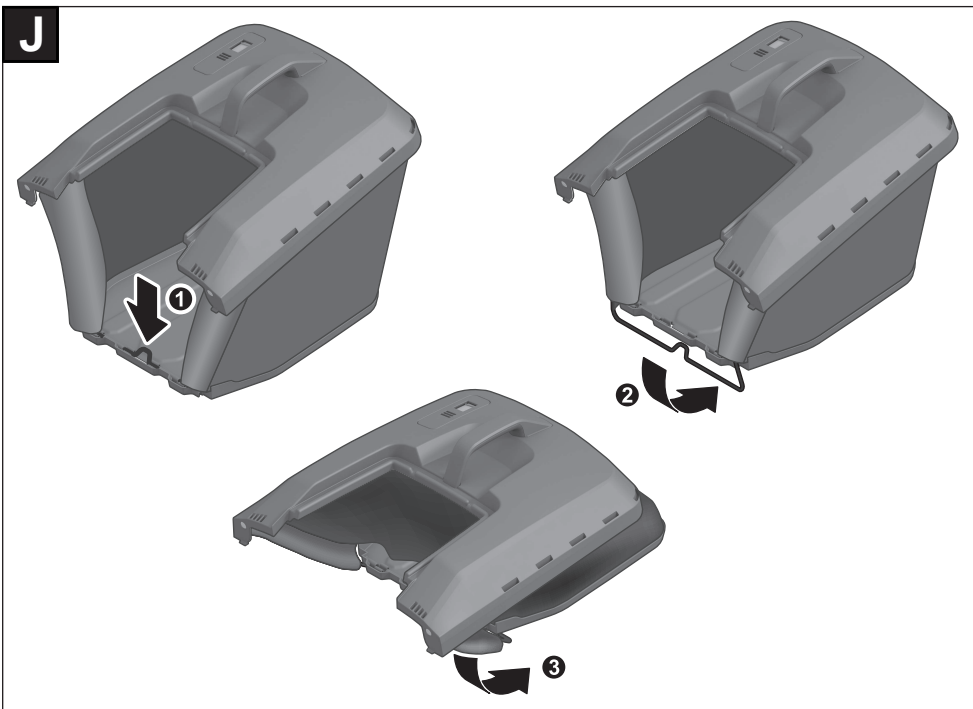
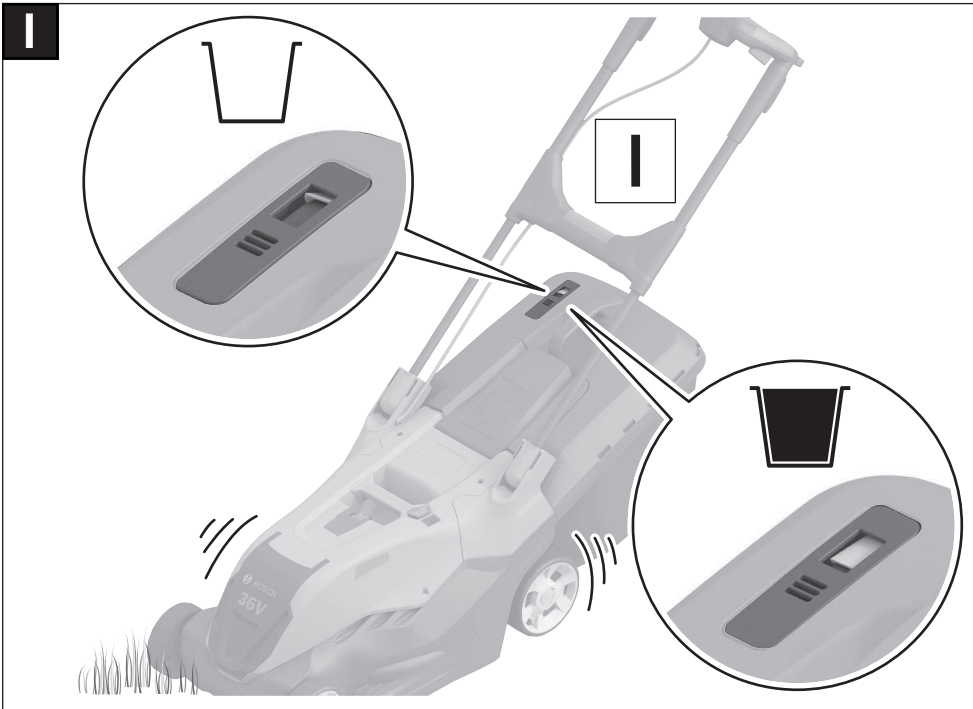






H





K

