

140 bar
2030 psi
max. Pressure

Variable Fan Jet Nozzle

F 016 800 437



Robert Bosch Power Tools GmbH

70538 Stuttgart

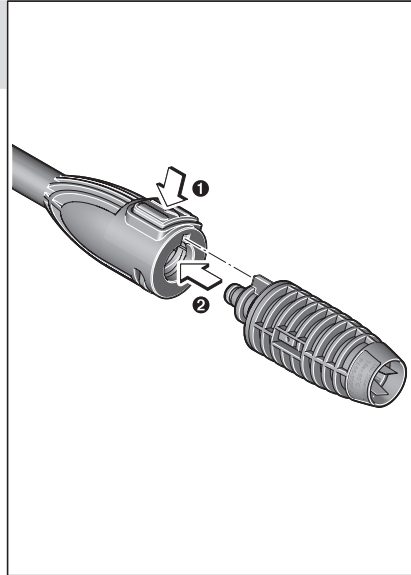
GERMANY

www.bosch-pt.com

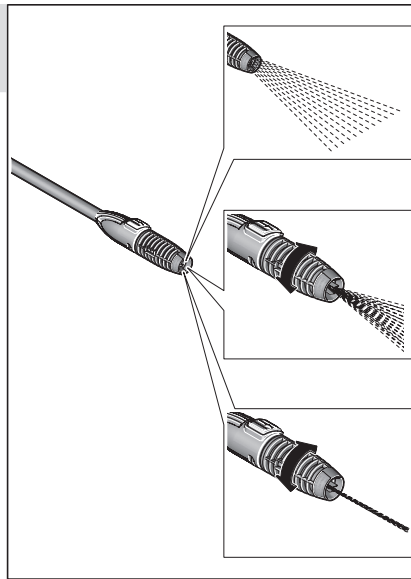
F 016 L81 439 (2025.09)



1



2



3

