



 **BOSCH**

UniversalRake 900 | UniversalVerticut 1100

Robert Bosch Power Tools GmbH
70538 Stuttgart
GERMANY

www.bosch-pt.com

F 016 L94 703 (2023.09) 0 / 37



F 016 L94 703



en Original instructions
ar دليل التشغيل الأصلي
fa دفترچه راهنمای اصلی



English	Page	3
عربي	الصفحة	10
فارسی	صفحه	17

CE / UK I/i
CA

English

Safety Notes

Warning! Read all safety warnings and all instructions. Make yourself familiar with the controls and the proper use of the product. Please keep the instructions safe for later use!

Explanation of symbols on the machine



General hazard safety alert.



Read instruction manual.



Make sure that bystanders are not injured by foreign objects being thrown away.



Warning: Keep a safe distance to the product when operating.



Caution: Do not touch rotating blades. Sharp blade(s). Beware of severing toes or fingers.



Switch off and remove plug from mains before adjusting, cleaning or if the cable is entangled and before leaving the garden tool unattended for any period. Keep the power cord away from the raking tines/blades.



Wait until all machine components have completely stopped before touching them. The tines/blades continue to rotate after the machine is switched off, a rotating blade can cause injury.



Do not use the product in the rain or leave it outdoors when it is raining.



Beware electric shock hazard.



Keep supply flexible cord away from cutting means.



Do not use a high-pressure washer or a garden hose to clean the machine.



Carefully check the area where the tool is to be used for wildlife and pets. Wildlife and pets may be injured while the machine is in operation. Thoroughly check the working area and remove any stones, sticks, wires, bones and foreign objects. When using the machine, ensure that no wildlife, pets or small tree stumps are hidden in the dense grass.

Operation

- ▶ Never allow children or people unfamiliar with these instructions to use the product. Local regulations may restrict the age of the operator. When not in use store the product out of reach of children.
- ▶ Never allow children, persons with physical, sensory or mental limitations or a lack of experience and/or knowledge and/or people unfamiliar with these instructions to use the product. Local regulations may restrict the age of the operator.
- ▶ Never operate the product when you are tired, ill or under the influence of alcohol, drugs or medicine.
- ▶ Never work while people, especially children, or pets are nearby.
- ▶ Children should be supervised to ensure that they do not play with the product.
- ▶ The user is responsible for accidents or hazards occurring to other people or their property.
- ▶ Always wear hearing protection and safety glasses when working with the product.
- ▶ Do not wear open rubber shoes or sandals when using the product. Always wear sturdy shoes and long trousers. Do not use barefoot.
- ▶ Thoroughly inspect the area where the product is to be used and remove all stones, sticks, wires, bones and other foreign objects.
- ▶ Before using, always visually inspect to see that the tines and tine assembly are not worn, damaged or loose.
- ▶ Replace worn or damaged tine and assemblies in sets to preserve balance. On multi-tined machines, take care as rotating one tine can cause other tines to rotate.
- ▶ Walk, never run.
- ▶ Rake/Verticut only in daylight or in good artificial light.
- ▶ If possible, avoid using the product on wet grass or take additional precautions to avoid slipping.
- ▶ Do not rake/verticut excessively steep slopes.
- ▶ Working on banks can be dangerous. Always be sure of your footing on slopes or wet grass. Rake/Verticut across the face of slopes never up and down.
 - Exercise extreme caution when changing direction on slopes.
- ▶ Use extreme caution when stepping back or pulling the machine towards you do not overreach and keep balance at all times.
- ▶ Always push the product forward when raking/verticutting the lawn and never pull it towards the body.

- ▶ Wait until the tines/blades stop if the machine has to be tilted for transportation when crossing surfaces other than grass and when transporting the product to and from the area to be raked/verticut.
 - ▶ Never operate the machine with defective guards or shields, or without safety devices, for example deflectors and/or grass box in place.
 - ▶ Switch on the motor according to the instructions with feet well away from rotating parts.
 - ▶ Do not tilt the product when starting or switching on the motor, except if the machine has to be tilted for starting in long grass. In this case, do not tilt it more than absolutely necessary and tilt only the part which is away from the operator. Always ensure that both hands are in the operating position before returning the machine to the ground.
 - ▶ Do not put hands or feet near or under rotating parts.
 - ▶ Always stand clear of the discharge zone when operating the machine.
 - ▶ Never pick up or carry the machine while the motor is running.
 - ▶ When storing, make sure that all 4 wheels of the garden tool stand on the ground/floor.
 - ▶ Only lift the garden tool with the carrying handle. Use the carrying handle with care.
 - ▶ **Do not modify the machine.** Unauthorized modifications can impair the safety of your machine, lead to increased noise and vibrations, and poor performance.
 - ▶ Be careful during adjustment of the product to prevent entrapment of the feet and hands between moving tines/blades and fixed parts of the machine.
 - ▶ Avoid operating the product in bad weather conditions especially when there is a risk of lightning.
 - ▶ Regularly inspect the machine including the supply cable and any extension cables for damaged casings, cable sheaths, exposed wires and cable grips. Do not connect damaged cables to the supply or touch a damaged cable before it is disconnected from the supply. A damaged cable can lead to contact with live parts. Beware electric shock hazard when inspecting for potential contact between water and electricity.
 - ▶ Do not touch the tines before the machine is disconnected from the supply and the tines have come to a complete stop.
 - ▶ **Keep supply cables and extension cables away from the tines.** The tines can cause damage to the cables and lead to contact with live parts. Beware electric shock hazard when inspecting for potential contact between water and electricity.
- ▶ Regularly inspect the machine including the supply cable and any extension cables for damaged casings, cable sheaths, exposed wires and cable grips. Do not connect damaged cables to the supply or touch a damaged cable before it is disconnected from the supply. A damaged cable can lead to contact with live parts. Beware electric shock hazard when inspecting for potential contact between water and electricity.
 - ▶ **Keep supply cables and extension cables away from the tines.** The tines can cause damage to the cables and lead to contact with live parts. Beware electric shock hazard when inspecting for potential contact between water and electricity.
 - ▶ Only use this product when connected into a socket which is protected by a circuit-breaker that would be actuated by a 30 mA residual current.
 - ▶ For electrical safety use a Residual Current Device (RCD) with a tripping current of not more than 30 mA. Always check your RCD every time you use it.

Remove the plug from the socket:

- Whenever you leave the machine.
- Before clearing a blockage.
- Before checking, cleaning or working on the machine.
- After striking a foreign object. Inspect the machine for damage and change the blade as necessary.
- If the machine starts to vibrate abnormally (check immediately).

Connecting to the mains

- ▶ The voltage indicated on the rating plate must correspond to the voltage of the power source.
- ▶ Only use this product when connected into a socket which is protected by a circuit-breaker that would be actuated by a 30 mA residual current.
- ▶ Only use or replace power supply cables for this unit which correspond to the types indicated by the manufacturer. See the operating instructions for the order no. and types.
- ▶ Never touch the mains plug with wet hands.
- ▶ Do not run over, crush or pull the power supply cord or extension cord, otherwise it may be damaged. Protect the cable from heat, oil and sharp edges.
- ▶ The extension lead must have a cross section in accordance with the operating instructions and be protected against splashed water. The connection must not be in water.
- ▶ **Always wear gardening gloves when handling or working near the sharp blade/tines.**

Additional safety warnings

- ▶ **Please read this in conjunction with the instruction manual.**
- ▶ Use extreme caution when stepping back or pulling the machine towards you do not overreach and keep balance at all times.

Electrical Safety



Warning! Switch the product off and pull the mains plug before any maintenance or cleaning. The same applies when the mains cable is damaged, cut or entangled.

- ▶ **The blade/tines continues to rotate for a few seconds after the machine is switched off.**

- ▶ **Caution do not touch the rotating blade/tines.**

Your product is double insulated for safety and requires no earth connection. The operating voltage is 230 V AC, 50 Hz (for non-EU countries 220 V, 240 V as applicable). Contact your Bosch Service Centre for details. If in doubt contact a qualified electrician or the nearest Bosch Service Centre.

- ▶ For electrical safety use a Residual Current Device (RCD) with a tripping current of not more than 30 mA. Always check your RCD every time you use it.

Keep the supply cables away from moving hazardous parts and avoid damage to the cables; this can lead to contact with live parts.

The connections (plugs and sockets) should be kept dry and off the ground.

The supply cables must be inspected for signs of damage at regular intervals and may only be used if in perfect condition.

If the supply cable on the product is damaged, it must only be replaced by a Bosch Service Centre. Only use approved extension cables.

Use only extension cords, cables, leads and cable reels that comply with EN 61242/IEC 61242 or IEC 60884-2-7 and are of type H05VV-F or H05RN-F.

If you want to use an extension cable when operating your product, only the following cable dimensions should be used:

- Nominal conductor area of 1.25 mm² or 1.5 mm²
- Maximum length 30 m for a Cord Extension Set or maximum length of 60 m for a Cable Reel with Residual Current Device (RCD).

Note: If an extension cable is used it must be earthed and connected through the plug to the earth cable of your supply network in accordance with prescribed safety regulations.

If in doubt contact a qualified electrician or the nearest Bosch Service Centre.



WARNING! Inadequate extension cables can be dangerous. Extension cable, plug and socket must be of watertight construction and intended for outdoor use.

For products **not sold in GB:**

WARNING: For your safety, it is required that the plug attached to the product is connected with the extension cord. The coupling of the extension cord must be protected against splash water, be made of rubber or coated with rubber. The extension cord must be used with a cable strain relief.

Products sold in GB only:

Your product is fitted with an BS 1363/A approved electric plug with internal fuse (ASTA approved to BS 1362).

If the plug is not suitable for your socket outlets, it should be cut off and an appropriate plug fitted in its place by an authorised customer service agent. The replacement plug should have the same fuse rating as the original plug.

The severed plug must be disposed of to avoid a possible shock hazard and should never be inserted into a mains socket elsewhere.

Products that are only sold in AUS and NZ: Use a residual current device (RCD) with a nominal residual current of 30 mA or less.

Maintenance

- ▶ **Always wear gardening gloves when handling or working near the sharp tines/blades.**

- ▶ Keep all nuts, bolts and screws tight to ensure safe working with the product.
- ▶ Check the grass box frequently for wear or deterioration.
- ▶ Inspect the product and replace worn or damaged parts for safety.
- ▶ Ensure replacement parts fitted are Bosch-approved.
- ▶ Before storing, make sure that the product is clean and free of residue. If necessary, clean with a soft dry brush.

Symbols

The following symbols are important for reading and understanding the original instructions. Please take note of the symbols and their meaning. The correct interpretation of the symbols will help you to use the product in a better and safer manner.

Symbol	Meaning
	Movement direction
	Reaction direction
	Wear protective gloves
	Weight
	Switching on
	Switching off
	Permitted action
	Prohibited action
	Audible noise
	Accessories/Spare Parts

Intended Use

The garden tool is intended for domestic lawn raking, verticutting or aerating.

The garden tool is not intended for hedge cutting, trimming, shredding, etc.

The garden tool is intended for use at ground level.

Technical Data

Raker/Verticutter		UniversalRake 900	UniversalVerticut 1100
Article number		3 600 H8A 0..	3 600 H8A 1..
Rated power input	W	900	1100
Cutting width	cm	32	32
Grassbox, capacity	l	50	50
Cutting system			
- Double wound tines		●	-
- Pivoting blades		-	●
Collection system		Jet Collect	Jet Collect
Height of cut	mm	+10/+5/0/-5	+5/0/-5/-10
Weight according to EPTA-Procedure 01:2014	kg	10.0	10.5
Protection class		□/ II	□/ II
Serial number		see type plate on garden tool	

The specifications apply to a rated voltage [U] of 230 V. These specifications may vary at different voltages and in country-specific models.

All values in this manual are measured for usage below or equal to 2000 meters above nominal sea level.

Noise/Vibration Information

		3 600 H8A 0..	3 600 H8A 1..
Noise emission values determined according to EN 50636-2-92 .			
Typically the A-weighted noise levels of the product are:			
- Sound pressure level	dB(A)	81	80
- Uncertainty K	dB	= 2.5	= 2.5
- Sound power level	dB(A)	94	94
- Uncertainty K	dB	= 1.0	= 2.0
Vibration total values ah (triax vector sum) and uncertainty K determined according to EN 50636-2-92			
- Vibration emission value a _v	m/s ²	4.0	2.9
- Uncertainty K	m/s ²	= 1.6	= 1.5

Mounting and Operation

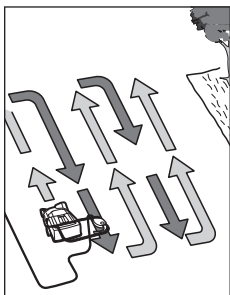
► **Do not connect the product to the mains socket before it is completely assembled.**

Action	Figure	Page
Delivery scope	A	24
Assembly	B	24
Connecting the extension cable		
Assembling the grassbox	C	25
Grassbox assembly	D	25
Adjusting the working height	E	26
Switching On and Off UniversalRake 900	F	26

Action	Figure	Page
Switching On and Off UniversalVerticut 1100	G	27
Maintenance, Cleaning and Storage	H	27

Working Advice

Raking/Verticutting



Place the product on the edge of the lawn, as close to the mains socket as possible. Work away from the mains socket.

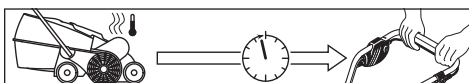
Position the cable to opposite side (already raked/verticut lawn) at the end of each turn.

When raking/verticutting **do not overload the motor.**

UniversalRake 900:

In case of overload, the speed of the motor drops and the motor sound changes. In this case, stop, release the start/stop lever and adjust to a **higher working height**. Failure to do so could damage the machine.

UniversalVerticut 1100:



The motor is protected by a safety cut out, which is activated when the blades become jammed, clogged or if the motor is overloaded. When this occurs, switch the product off.

The safety cut out is only reset when the start/stop lever is released.

Pull the mains plug, remove any blockages and wait one minute before restarting the product so that the safety cut out can reset itself.

► **Always wear gardening gloves when handling or working near the sharp tines/blades.**

Note: When waiting for a reset of the safety cut out and actuating the start/stop lever too early with the product plugged into the socket outlet, the reset time of the safety cut out will increase.

If the product cuts out again, increase the working height or postpone use until conditions improve. Please refer to the "Trouble Shooting Chart" and "Raking/Verticutting Tips".

Raking/Verticutting Tips

Optimum conditions for raking/verticutting are when the grass is short and slightly moist. Raking or verticutting the lawn when the soil is very soft or hard can damage it and cause the product to collect poorly.

- Kill moss with a commercially-available moss killer before raking/verticutting.
- Start the product at the highest working height and lower it as required.
- Rake/Verticut the lawn in the one direction, then proceed at right angles a week later until the whole lawn has been completed.
- Depending on the condition of the lawn, raking/verticutting moss and dead plant parts can lead to ragged and bare patches.

Note: In conditions with excessive tree debris (e. g. leaves, twigs, etc.), first clear the surface by using the product with the working height set to 3 or 4.

For best results mow the lawn before reseeding. Promote the spread of grass into bare and weak areas with good quality lawn seed after raking/verticutting. Allow fresh grass seed to root and establish before fertilising, where necessary water to prevent fresh seeds drying out.

Ideal times for raking/verticutting are spring and late autumn.

Lawns can also be maintained by raking/verticutting on a higher setting after every six cuts.

Troubleshooting

The following chart lists problem symptoms, possible causes and corrective action, if your product does not operate properly. If these do not identify and correct the problem, contact your service agent.

► **Warning: Switch off and remove plug from mains before investigating fault.**

Problem	Possible Cause	Corrective Measure
Garden tool does not operate	Power turned off	Turn power on
	Mains socket faulty	Use other socket
	Extension cable damaged	Inspect cable, replace if damaged
	Fuse faulty / blown	If fuse blows continuously, please check your electricity supply system or contact Bosch customer service agent
	Possible clog	Check underneath the garden product and clear out as necessary (always wear protective gloves)
	Safety cut out is active (only UniversalVerticut 1100)	See below ^{A)}

Problem	Possible Cause	Corrective Measure
	Setting for raking/verticutting too low for the conditions	Increase working height
	Obstructed rotor	Clear obstruction (always wear protective gloves)
	Blocked side grilles	Clear debris from the outside of the side grilles
	Grassbox full	Empty the grassbox regularly
Garden tool runs intermittently	Extension cable damaged	Inspect cable, replace if damaged
	Internal wiring of garden tool defective	Contact Bosch customer service agent
	Worn/Missing tines/blades	Contact Bosch customer service agent
	Conditions too wet	Increase working height (see "Tips for Raking/Verticutting Lawns")
	Too much debris on the ground	See below ^{A)}
	Possible clog	Check underneath the garden tool and clear out as necessary (always wear protective gloves)
	Setting for raking/verticutting too low for the conditions	Increase working height
	Grass too long	Cut grass
	Very uneven surface	Increase working height
	Grassbox full	Empty the grassbox regularly
Garden tool runs stiffly or belt squeaks	Working height too low	Increase working height (see "Adjusting the Working Height")
Cutting tines/blades not rotating	Cutting tines/blades obstructed by grass	Clear obstruction (always wear protective gloves)
	Belt slipping or damaged	Contact Bosch customer service agent
Excessive vibrations/noise	Cutting tines/blades damaged	Contact Bosch customer service agent
Poor work performance	Ground too moist for raking/verticutting	Increase working height (see "Tips for Raking/Verticutting Lawns")
	Setting for raking/verticutting too low for the conditions	Increase working height
	Possible clog	Check underneath the garden tool and clear out as necessary (always wear protective gloves)
	Blocked side grilles	Clear debris from the outside of the side grilles
	Missing tines (only UniversalRake 900)	Contact Bosch customer service agent

A) In conditions with excessive tree debris (e. g. leaves, twigs, etc.), first clear the surface by using the product with the working height set to 3 or 4.

Maintenance and Service

After-Sales Service and Application Service

Our after-sales service responds to your questions concerning maintenance and repair of your product as well as spare parts. You can find explosion drawings and information on spare parts at: www.bosch-pt.com

The Bosch product use advice team will be happy to help you with any questions about our products and their accessories.

In all correspondence and spare parts orders, please always include the 10-digit article number given on the nameplate of the product.

Great Britain

Robert Bosch Ltd. (B.S.C.)
P.O. Box 98
Broadwater Park
North Orbital Road
Denham Uxbridge
UB 9 5HJ

At www.bosch-pt.co.uk you can order spare parts or arrange the collection of a product in need of servicing or repair.

Tel. Service: (0344) 7360109

E-Mail: boschservicecentre@bosch.com

You can find further service addresses at:

www.bosch-pt.com/serviceaddresses

Disposal

The product, accessories and packaging should be sorted for environmental-friendly recycling..



Do not dispose of products into household waste!

Only for EU countries:

According to the European Directive 2012/19/EU on Waste Electrical and Electronic Equipment and its implementation into national law, power tools that are no longer usable must be collected separately and disposed of in an environmentally friendly manner.

If disposed incorrectly, waste electrical and electronic equipment may have harmful effects on the environment and human health, due to the potential presence of hazardous substances.

Only for United Kingdom:

According to The Waste Electrical and Electronic Equipment Regulations 2013 (SI 2013/3113) (as amended), products that are no longer usable must be collected separately and disposed of in an environmentally friendly manner.

افحص المجال الذي تريد استخدام جهاز الحديقة فيه جيداً للتأكد من عدم وجود الحيوانات المتوحشة والمنزلية فيه. وجود احتمال جرح الحيوانات المتوحشة والمنزلية أثناء تشغيل الجهاز. افحص مجال استخدام الجهاز جيداً وقم بإزالة جميع الأحجار وعيدان الخشب والأسلاك والعظام والأجسام الغريبة. عند استخدام الجهاز، تأكد من عدم وجود الحيوانات المتوحشة والمنزلية وجزوع الأشجار الصغيرة في العشب الكثيف.



التشغيل

- ◀ لا تسمح للأطفال أو للأشخاص الغير مطلعين على هذه التعليمات أبداً أن يستعملوا جهاز الحديقة. يجوز أن تحد الأحكام الوطنية من سن المستخدم. احتفظ بجهاز الحديقة بعيداً عن متناول الأطفال عندما لا يتم استخدامه.
- ◀ لا تسمح للأطفال أو للأشخاص ذوي المقدرات الجسدية أو المسية أو العقلية المحدودة أو القليلي الخبرة و/أو المعدومي المعرفة و/أو للأشخاص الغير مطلعين على التعليمات هذه أبداً أن يستعملوا الجهاز. يجوز أن تحد الأحكام الوطنية من سن المستخدم.
- ◀ لا تستخدم الجهاز إن كنت مرهقاً أو مريضاً أو إن كنت تحت تأثير الكحول أو المخدرات أو الأدوية.
- ◀ لا تستخدم جهاز الحديقة أبداً إن تواجد الأشخاص الآخرين ولا سيما الأطفال أو الحيوانات المنزلية على مقربة مباشرة.
- ◀ ينبغي مراقبة الأطفال لضمان عدم لعبهم بالجهاز.
- ◀ إن المستخدم أو المستعمل هو الذي يحمل مسؤولية الحوادث أو الإصابات التي تصيب الأشخاص الآخرين أو ممتلكاتهم.
- ◀ ارتد دائماً واقياً للأذنان ونظارات واقية عندما تعمل بواسطة الجهاز.
- ◀ لا ترتد أحمدة مطاطية مفتوحة أو صنادل عندما تستخدم الجهاز. ارتد أحمدة متينة وبنطال طويل دائماً. لا تستخدم الجهاز أبداً وأنت حافي القدمين.
- ◀ افحص السطح المرغوب معالجته بعناية وأزل الحجارة والعصي والكوابل المخفية والأسلاك المعدنية والعظام وغيرها من الأشياء الغريبة.
- ◀ قبل الاستخدام تحقق بصرياً دائماً إن كان أحد الأسنان أو اللوالب المثبتة للأسنان ناقصة أو مستهلكة أو تالفة.
- ◀ استبدل طقم الأسنان واللوالب المستهلكة أو التالفة بأكمله لتجنب اختلال التوازن. كن حذراً مع الماكينات ذات الأسنان المتعددة لأن دوران سن واحد يمكن أن يتسبب في تحريك أسنان أخرى.
- ◀ ينبغي المشي بهدوء دائماً، ولا يجوز السير بسرعة أبداً.
- ◀ قم بأعمال تهوية/عزق العشب فقط في ضوء النهار أو الضوء الاصطناعي الجيد.
- ◀ تجنب قدر الإمكان استخدام الجهاز على العشب الرطب أو اتخذ احتياطات إضافية لتجنب الانزلاق.
- ◀ لا تقم بأعمال التهوية/العزق على المنحدرات الشديدة الانحدار.
- ◀ إن مزاولة العمل على المنحدرات قد تكون خطيرة:

عربي

ملاحظات الأمان

تنبيه! اقرأ التعليمات التالية بإمعان. تمّرس على استخدام عناصر الاستخدام وعلى الاستعمال المخصص للجهاز. يرجى الاحتفاظ بتعليمات التشغيل هذه بمكان آمن للرجوع إليها في المستقبل.

شرح الرموز على جهاز الحديقة

ملاحظة خطر عامة.



اقرأ تعليمات التشغيل هذه.



احرص على عدم إصابة الأشخاص المتواجدين بالجوار بسبب الأجسام الخارجية المتطايرة.



تحذير: حافظ على مسافة آمنة تبعدك عن الجهاز عند التشغيل.



احترس: لا تلمس السكاكين الدوارة. السكاكين حادة. احترس من فقدان أصابع القدم واليد.



اطفئ جهاز الحديقة واسحب قابس الشبكة الكهربائية من المقبس قبل ضبط أو تنظيف الجهاز، أو إن تشابك الكبل أو إن كنت سترك جهاز الحديقة دون مراقبة حتى لو كان ذلك لوقت قصير فقط. حافظ على إبعاد الكابل الكهربائي عن الأسنان/السكاكين.



انتظر إلى أن تتوقف جميع أجزاء جهاز الحديقة عن الحركة بشكل كامل قبل أن تلمسها. تتابع الأسنان/لسكاكين دورانها بعد إطفاء جهاز الحديقة وقد تحدث إلى الإصابات.



لا تستعمل الجهاز أثناء هطول الأمطار ولا تعرضه للمطر.



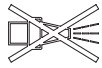
اتقي من الصدمات الكهربائية.



أبعد كبل الوصل عن سكاكين القص.



لا تستخدم منظف الضغط العالي أو خرطوم الحديقة من أجل تنظيف جهاز الحديقة.



- منطقة تماس ممكن بين الماء والكهرباء، احذر من خطر الإصابة بصعقة كهربائية.
- ◀ لا تلامس الأسنان إلا بعد فصل الجهاز عن الشبكة الكهربائية وبعد وقوف الأسنان بشكل كامل.
- ◀ **احفظ كابل الشبكة الكهربائية وكابل التمديد بعيداً عن الأسنان.** قد تتلف الأسنان كابل الشبكة الكهربائية وكابل التمديد ويمكن ان يحدث تماس بالأجزاء الموصلة للكهرباء. عندما تقوم بالفحص احذر من تماس ممكن بين الماء والكهرباء. فهناك خطر الإصابة بصعقة كهربائية.

ملاحظات الأمان الإضافية

- ◀ **من فضلك اقرأ هذه الملاحظات مع أخذ إرشادات التشغيل بنظر الاعتبار.**
- ◀ توخ المذر الشديد عند التراجع خطوة إلى الوراء أو سحب الجهاز نحوك، ولا تمش مسافة بعيدة وحافظ على توازنك دائماً.
- ◀ افحص الجهاز وكابل الشبكة الكهربائية وجميع كوابل التمديد بانتظام وإذا ما كان الغلاف أو تغليفات الكوابل أو حامل الكابل تالفاً وتأكد من عدم وجود أسلاك مكشوفة. لا تقم بتوصيل الكوابل التالفة بقياس الشبكة الكهربائية ولا تلامس كابلاً تالفاً قبل فصله عن قابس الشبكة الكهربائية. يمكن ان يؤدي الكابل التالف إلى تماس بالأجزاء الموصلة للكهرباء. عند فحص أي منطقة تماس ممكن بين الماء والكهرباء، احذر من خطر الإصابة بصعقة كهربائية.
- ◀ **احفظ كابل الشبكة الكهربائية وكابل التمديد بعيداً عن الأسنان.** قد تتلف الأسنان كابل الشبكة الكهربائية وكابل التمديد ويمكن ان يحدث تماس بالأجزاء الموصلة للكهرباء. عندما تقوم بالفحص احذر من تماس ممكن بين الماء والكهرباء. فهناك خطر الإصابة بصعقة كهربائية.
- ◀ استعمل الجهاز فقط إذا كان موصولاً بمقبس محمي بواسطة قاطع للدائرة الكهربائية والمشغل بواسطة التيار المتخلف بقيمة 30 ميلي أمبير.
- ◀ لتحقيق الأمان الكهربائي، استخدم مفتاح للحماية من التيار المتبقي (RCD) بتيار إعتاق لا يزيد عن 30 ميلي أمبير. أفحص مفتاح الحماية من التيار المتبقي دائماً في حالة استخدامه.

اسحب قابس الشبكة الكهربائية من المقبس

- دائماً عندما يتعد عن جهاز الحديقة.
- قبل إزالة الاستعصاء.
- عندما تفحص أو تنظف جهاز الحديقة أو عند إجراء الأعمال عليه.
- بعد الاصطدام بغرض غريب، افحص جهاز الحديقة فوراً لكشف التلف واستبدل السكينة إن تطلب الأمر ذلك.
- إن بدأ جهاز الحديقة بالاهتزاز بشكل غريب (افحصه فوراً).

الوصل بالكهرباء

- ◀ يجب أن يتوافق جهد منبع التيار مع المعلومات المذكورة على لافتة طراز الجهاز.

- احرص على الوقوف بثبات دائماً على السطوح المنحدرة والأعشاب المبتلة.
- قم بأعمال تهوية/عزق العشب على السطوح المائلة دائماً بشكل عرضي وليس إلى الأعلى والأسفل.
- احترس بشكل شديد عند تغيير الاتجاه على المنحدرات.
- ◀ توخ المذر الشديد عند التراجع خطوة إلى الوراء أو سحب الجهاز نحوك، ولا تمش مسافة بعيدة وحافظ على توازنك دائماً.
- ◀ ادفع الجهاز أثناء عملية تهوية/عزق العشب دائماً نحو الأمام ولا تسمح به أبداً نحو جسمك.
- ◀ يجب أن تكون الأسنان/السكاكين متوقفة عن الحركة عندما تضطر لقلب الجهاز من أجل نقله أو عندما تعبر السطوح غير المزروعة بالأعشاب أو عندما تنقل الجهاز من وإلى المجال المرغوب تهويته/عزقه.
- ◀ لا تستخدم جهاز الحديقة أبداً إذا كانت تجهيزات الوقاية أو الأعطية تالفة أو بلا تجهيزات الأمان، مثلاً: واقية الصدمات و/أو وعاء جمع الأعشاب.
- ◀ شغل جهاز الحديقة بالطريقة الموصوفة في تعليمات التشغيل واحرص على إبعاد قدميك بمسافة كافية عن الأجزاء الدوارة.
- ◀ لا تقلب الجهاز عند بدء تشغيله أو بدء تشغيل المحرك إلا في حالة لزوم ذلك من أجل بدء التشغيل في الأعشاب المرتفعة. في هذه الحالة ارفع جانب الجهاز البعيد عنك قدر ما يلزم فقط بواسطة ضغط المقبض اليدوي. احرص على وضع يدك على المقبض عند إعادة تنزيل جهاز الحديقة نحو الأسفل.
- ◀ لا تقترب بيدك وبقدميك من الأجزاء الدوارة ولا تضعها تحتها.
- ◀ ابتعد عن مجال القذف عندما تعمل بواسطة جهاز الحديقة.
- ◀ لا ترفع أو تحمل جهاز الحديقة أبداً عندما يدور المحرك.
- ◀ تأكد من استقرار جميع العجلات الاربعة لجهاز الحديقة على الأرض عند التخزين.
- ◀ ارفع جهاز الحديقة فقط بمقبض الحمل. قم بمعاملة المقبض بحذر.
- ◀ لا تقوم بتعديل الجهاز. إن التعديلات الغير مسموح بها قد تؤثر سلباً على أمان الجهاز وقد تؤدي إلى زيادة الضجيج والاهتزازات وإلى نتائج عمل سيئة.
- ◀ تجنب انحصار قدميك أو يديك بين الأسنان/السكاكين المتحركة والأجزاء الثابتة للماكينة عند القيام بأعمال الضبط.
- ◀ لا تعمل بواسطة الجهاز عندما تكون ظروف الطقس رديئة ولاسيما عند بدء العواصف.
- ◀ افحص الجهاز وكابل الشبكة الكهربائية وجميع كوابل التمديد بانتظام وإذا ما كان الغلاف أو تغليفات الكوابل أو حامل الكابل تالفاً وتأكد من عدم وجود أسلاك مكشوفة. لا تقم بتوصيل الكوابل التالفة بقياس الشبكة الكهربائية ولا تلامس كابلاً تالفاً قبل فصله عن قابس الشبكة الكهربائية. يمكن ان يؤدي الكابل التالف إلى تماس بالأجزاء الموصلة للكهرباء. عند فحص أي

إن أردت أن تستخدم كابل تمديد لتشغيل الجهاز، فيطلب المحافظة على أقطار النواقل التالية:

- قطر الناقل 1,25 مم² أو 1,5 مم²
- الطول الأقصى 30 م لكابلات التمديد أو 60 م لملفات الكابلات مع مفتاح وقاية من التيار المتخلف

ملحوظة: إن تم استخدام كابل تمديد، توجب أن يمتاز - كما تم وصفه بتعليمات الأمان - بناقل وقائي يتم وصله عبر القابس بالناقل الوقائي بشبكته الكهربائية للتأريض.

يفضل أن تستشير كهربائي متخصص أو مركز صيانة بوش في حال الشك.

احترس! إن كبلات التمديد المخالفة للأحكام قد تكون خطيرة. يجب أن تكون كبلات التمديد والقوايس والقارنات من النوعية المعزولة ضد الماء والمخصصة للاستعمال الخارجي.



ملحوظة خاصة بالمنتجات التي لا تباع في بريطانيا: **تنبيه:** يطلب للمحافظة على أمانك أن يتم وصل القابس المركب على الجهاز بكابل التمديد. يجب أن تكون قارئة كابل التطويل محمية من رذاذ الماء، فإما أن تكون مصنوعة من المطاط أو تكون مغطاة بالمطاط. يجب استخدام كابل التطويل مع تجهيزة إعتاق ضد الشد.

الصيانة

◀ **ارتد قفازات الحداثق دائما، عند إجراء الأعمال أو التعديلات في مجال الأسنان/السكاكين.**

◀ تأكد من ثبات جميع الصواميل والمسامير واللواب لضمان سلامة وأمان العمل بالجهاز.

◀ اقمص مدى تلف واستهلاك وعاء جمع العشب بانتظام.

◀ اقمص الجهاز واستبدل القطع المستهلكة أو التالفة على سبيل الاحتياط.

◀ احرص على كون الأجزاء المستبدلة صنع بوش.

◀ تأكد قبل التخزين بأن الجهاز نظيفا وخاليا من المخلفات. نظفه بواسطة فرشاة طرية وجافة إن تطلب الأمر ذلك.

الرموز

قد تكون الرموز التالية ذات أهمية من أجل قراءة وفهم تعليمات التشغيل. يرجى حفظ الرموز ومعناها. يساعدك تفسير الرموز بشكل صحيح على استعمال الجهاز بطريقة أفضل وأكثر أماناً.

الرمز	المعنى
	اتجاه الحركة
	جهة رد الفعل
	ارتد قفازات واقية

◀ استعمل الجهاز فقط إذا كان موصولاً بمقيس محمي بواسطة قاطع للدائرة الكهربائية والمشغل بواسطة التيار المتخلف بقيمة 30 ميلي أمبير.

◀ استخدم فقط خط الوصل بالشبكة الكهربائية المخصص من قبل المنيج عند استبدال كبل هذا الجهاز، راجع تعليمات التشغيل بصدد رقم الطلب والطراز.

◀ لا تلمس قابس الشبكة الكهربائية بواسطة اليدين المبتلتين إطلاقاً.

◀ لا تعبر خط الوصل بالشبكة الكهربائية أو كبل التمديد بواسطة السيارة ولا تقمطهما أو تسحبهما، فقد يؤدي ذلك إلى إتلافهما. احم الكبل من الحرارة والزيوت والحواف المادية.

◀ يجب أن يمتاز كبل التمديد بالقطر المذكور في تعليمات التشغيل كما يجب أن يكون محميا من رذاذ الماء. لا يجوز أن تضع قارئة الوصل في الماء.

◀ **ارتد قفازات الحداثق دائما، عند إجراء الأعمال أو التعديلات في مجال السكاكين/الأسنان المادية.**

الأمان الكهربائي

تنبيه! اطفئ الجهاز قبل إجراء أعمال الصيانة والتنظيف واسحب قابس الشبكة الكهربائية. يطبق ذلك أيضا في حال تلف أو قص أو التفاف كبل الشبكة الكهربائية.



◀ **تتابع السكاكين/الأسنان دورانها لعدة ثوان بعد إطفاء جهاز الحديقة.**

◀ **احترس - لا تلمس السكينة/الأسنان الدوارة.** لسلامتك الشخصية تم عزل الجهاز وهو لا يحتاج إلى تأريض. يبلغ جهد التشغيل 230 فولط تيار متناوب، 50 هرتز (لغير دول الاتحاد الأوروبي أيضا 220 فولط أو 240 فولط). استخدم كبلات التمديد المسموحة والمرخصة فقط. يعثر على المزيد من المعلومات لدى مركز الوكالة لخدمة الزبائن.

◀ لتحقيق الأمان الكهربائي، استخدم مفتاح للحماية من التيار المتبقي (RCD) بتيار إعتاق لا يزيد عن 30 ميلي أمبير. اقمص مفتاح الحماية من التيار المتبقي دائما في حالة استخدامه.


حافظ على إبعاد كبل الشبكة الكهربائية وكبل التمديد عن الأجزاء المتحركة وتجنب أي تلف بالكبلات لكي تتجنب التلامس مع الأجزاء المكهربة.

ينبغي أن تكون وصلات الكبلات (كبل الشبكة الكهربائية والمقابس) جافة ولا يجب أن تكون موضوعة على الأرض.

يجب أن يتم فحص كبلات الشبكة الكهربائية وكبلات التمديد بشكل منتظم على ظهور علامات التلف ويجوز استخدامها فقط إن كانت بحالة سليمة.

إن تلف كابل الشبكة الكهربائية بالجهاز، فلا يجوز أن يتم تصليحه إلا من قبل مركز خدمة وكالة شركة بوش. اقتصر على استخدام كابلات التطويل المسموح بها.

استخدم فقط كوابل التمديد والكوابل والخطوط وبكرات الكابل من النوع H05VV-F أو H05RN-F والتي توافق المقياس 61242/IEC 61242 EN أو IEC 60884-2-7.

الرمز	المعنى
CLICK!	الصوت المسموع
	التوابع/قطع الغيار

الرمز	المعنى
	الوزن
	التشغيل
	الإطفاء
	تصرف مسموح
	عمل ممنوع



الاستعمال المخصص

لقد خصص جهاز الحديقة لجرف أو عزق أو تهوية الأعشاب في المجال الخاص.

لم يخصص جهاز الحديقة من أجل قص الأسبجة النباتية والتشذيب والتفتيت إلخ..

يخصص جهاز الحديقة للاستخدام بمستوى ارتفاع الأرض.

البيانات الفنية

UniversalVerticut 1100	UniversalRake 900	جهاز تهوية/عزق العشب
3 600 H8A 1..	3 600 H8A 0..	رقم الصنف
1100	900	قدرة الدخل الاسمية
32	32	عرض العمل
50	50	حجم سلة جمع العشب
		نوع تركيبة التشغيل
-	•	- أسنان نابضية
•	-	- سكاكين متراوحة
Jet Collect	Jet Collect	نظام الجمع
10- /5- /0 /5+	5- /0 /5+ /10+	ارتفاع العمل
10,5	10,0	الوزن حسب EPTA-Procedure 01:2014
II / 	II / 	فئة الوقاية
راجع لافتة الطراز على جهاز الحديقة		الرقم المتسلسل

تسري البيانات على جهد اسمي [U] يبلغ 230 فولط. قد تختلف تلك البيانات حسب اختلاف الجهد والطرازات الخاصة بكل دولة. تم قياس جميع القيم المذكورة في هذه التعليمات من أجل استخدام الجهاز بارتفاع فوق سطح البحر يبلغ 2000 متر كحد أقصى.

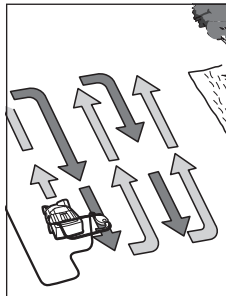
ملاحظات عمل

تهوية وعزق العشب

ضع الجهاز على حافة العشب وبمكان قريب على مقبس الشبكة الكهربائية قدر الإمكان. ابدأ بالعمل مبتعداً عن مقبس الشبكة الكهربائية.

ضع الكابل على الجانب المقابل الذي أنهيت العمل به بعد الدوران في كل مرة.

لا تفرط في تحميل المحرك أثناء عملية



تهوية/عزق العشب.

:UniversalRake 900

التركيب والتشغيل

لا تقوم بوصل الجهاز بالمقبس إلا بعد أن يكون قد تم تركيبه بشكل كامل.

هدف العمل	الصورة	الصفحة
نطاق التوريد	A	24
التركيب	B	24
وصل كابل التمديد		
تجميع سلة جمع العشب	C	25
تركيب سلة جمع العشب	D	25
ضبط ارتفاع العمل	E	26
تشغيل/إطفاء الـ UniversalRake 900	F	26
تشغيل/إطفاء الـ UniversalRake 1100	G	27
الصيانة، التنظيف والتخزين	H	27

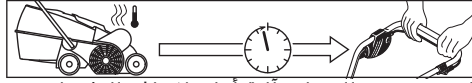
نصائح لتهوية وعزق العشب

توجد شروط مثالية لتهوية/عزق العشب إذا كان العشب قصيراً ورطباً قليلاً. عندما تكون الأرض طرية أو قاسية جداً يمكن ان تؤدي تهوية العشب أو عزقه إلى تلف العشب وضعف الجهاز في جمع الأعشاب.

- كافح الطحالب بمادة متوفرة في السوق قبل القيام بتهوية/عزق العشب.
 - قم ببدء تشغيل الجهاز في وضع ارتفاع العمل الأكبر وخفضه عند الحاجة.
 - قم بتهوية/عزق العشب باتجاه واحد من الأعلى إلى الأسفل أولاً، وبعد أسبوع بنفس طريقة باتجاه عمودي على الاتجاه الأول حتى يكون العشب معالجاً بأكمله.
 - اعتماداً على حالة العشب يمكن ان تؤدي تهوية/عزق الطحالب وأجزاء النبات الميتة إلى ظهور المناطق المهترئة أو العازية.
- ملاحظة:** إذا تواجدت بقايا كثيرة من الأشجار على الساحة (مثل الأوراق والفروع إلخ...)، ازلها أولاً عن طريق ضبط الجهاز على ارتفاع العمل رقم 3 أو 4.
- جز العشب قبل بذر العشب اللاحق من أجل الحصول على نتيجة مثلى. استخدم بذور الأعشاب ذات الجودة العالية لبذر العشب في الأماكن العارية أو ذات العشب الضعيف. أترك بذور العشب الجديدة تنمو في الأرض قبل التسميد، واروها عند الحاجة حتى لا تطف البذور.
- الوقت الأمثل لتهوية أو عزق العشب هو في الربيع وأخر الخريف.
- يمكن العناية بالعشب كذلك عن طريق جرف/عزق العشب على ارتفاع عمل كبير بعد كل سادس مرة من جز العشب.

ينخفض عدد دورات المحرك عند التعميل الزائد وتتغير أصوات المحرك. توقف في هذه الحالة وارك ذراع التشغيل واضبط ارتفاع عمل أكبر. وإلا فقد يتلف المحرك.

UniversalVerticut 1100



لقد تم تجهيز المحرك بألية أمان لإيقاف التشغيل، ويتم إطلاقها عندما تنقبط أو تنسد السكاكين أو عند زيادة تجميع المحرك. اطفئ الجهاز عندما يحدث ذلك.

تتم إعادة ألية الامان لضبط إيقاف التشغيل فقط عندما تقوم بإطلاق ذراع التشغيل.

اسحب قابس الشبكة الكهربائية، أزل العراقل التي قد تكون موجودة وانتظر لمدة دقيقة قبل ان تبدأ بإعادة تشغيل الجهاز بحيث تتمكن ألية الأمان لإيقاف التشغيل من الرجوع إلى وضع إعادة الضبط.

◀ ارتد قفازات الحدائق دائماً، عند إجراء الأعمال أو التعديلات في مجال الأسنان/السكاكين.

ملاحظة: إذا كنت تنتظر إعادة ألية الأمان لإيقاف التشغيل إلى وضع إعادة الضبط وأدرت ذراع التشغيل بوقت مبكر، عندما يكون الجهاز موصولاً بالمقبس، فإن مدة رجوع ألية الأمان لإيقاف التشغيل إلى وضع إعادة الضبط ستزيد.

في حال انطفاء الجهاز مرة أخرى، فقم بتكبير ارتفاع العمل أو أجل العمل إلى حد تتحسن الظروف. اقرأ لذلك أيضاً "قائمة البحث عن الأخطاء" و"نصائح لتهوية وعزق العشب".

البحث عن الأخطاء

تشير القائمة التالية إلى أعراض الأخطاء وكيفية معالجتها في حال عدم عمل الجهاز بطريقة صحيحة في إحدى المرات. راجع ورشة الخدمة إن لم تتمكن من تحديد وإزالة المشكلة بهذا الشكل.

◀ تنبيه: اطفئ الجهاز واسحب القابيس من المقبس قبل البدء بالبحث عن الأخطاء.

الخطأ	السبب المحتمل	العلاج
جهاز الحديقة لا يعمل	لا يوجد جهد كهربائي	افحصه وشغله
	مقبس الشبكة الكهربائية تالف	استخدم مقبس آخر
	كابل التمديد تالف	افحص الكابل واستبدله إن كان تالف
	تم إطلاق المنصهر	افحص الامداد بالتيار الكهربائي أو راجع مركز خدمة زبائن بوش في حال انصهار المنصهر بشكل مستمر
	يمكن ان يكون هناك انسداد	افحص الجانب السفلي بجهاز الحديقة وأخليه من البقايا عند الضرورة (ارتد قفازات حدائق دائماً)
	ألية الإمان للإطفاء مغلقة (فقط UniversalVerticut 1100)	انظر أدناه ^(A)
	الضبط منخفض جداً لتهوية/عزق العشب تحت هذه الظروف	اضبط ارتفاع عمل أكبر من الأول
	الدوار مسدود	ازل الأعشاب المسببة للانسداد (ارتد قفازات الحدائق دائماً)

الخطأ	السبب المحتمل	العلاج
	الشبكة الجانبية ليست خالية	ازل بقايا النباتات من الجانب الخارجي للشبكات
	سلة جمع العشب مملوءة	فرغ سلة جمع العشب بانتظام
جهاز الحديقة يعمل بشكل متقطع	كابل التمديد تالف	افحص الكابل واستبدله إن كان تالف
	تلف بالكوابل الداخلية بجهاز الحديقة	راجع مركز خدمة زبائن بوش
	أسنان/سكاكين ناقصة/مستهلكة	راجع مركز خدمة زبائن بوش
	ظروف عمل مبللة جداً	اضبط ارتفاع عمل أكبر (انظر "نصائح لتهوية وعزق العشب") ^(A)
	كمية زائدة من بقايا النباتات على الساحة	انظر أدناه ^(A)
	يمكن ان يكون هناك انسداد	افحص الجانب السفلي بجهاز الحديقة وأخليه من البقايا عند الضرورة (ارتد قفازات حدائق دائماً)
	الضبط منخفض جداً لتهوية/عزق العشب تحت هذه الظروف	اضبط ارتفاع العمل أكبر
	العشب شديد الارتفاع	جز العشب
	السطح غير مستو إطلاقاً	اضبط ارتفاع العمل أكبر
	سلة جمع العشب مملوءة	فرغ سلة جمع العشب بانتظام
يعمل جهاز الحديقة بصعوبة أو يصدر صرير من السير/العزام	ارتفاع العمل منخفض جداً	اضبط ارتفاع عمل أكبر (انظر "ضبط ارتفاع العمل")
الأسنان/السكاكين لا الأعشاب تعيق حركة الأسنان/السكاكين تدور	ازل الأعشاب المسببة للإعاقة (ارتد قفازات حدائق دائماً)	راجع مركز خدمة زبائن بوش
	السير/العزام ينزلق أو هو تالف	راجع مركز خدمة زبائن بوش
اهتزازات/أصوات شديدة	الأسنان/السكاكين تالفة	راجع مركز خدمة زبائن بوش
أداة الماكينة غير مرضي بالشكل الكافي	الأرض مبتلة جداً ولذلك لا يسمح بالتهوية/العزق	اضبط ارتفاع عمل أكبر (انظر "نصائح لتهوية وعزق العشب")
	الضبط منخفض جداً لتهوية/عزق العشب تحت هذه الظروف	اضبط ارتفاع العمل أكبر
	يمكن ان يكون هناك انسداد	افحص الجانب السفلي بجهاز الحديقة وأخليه من البقايا عند الضرورة (ارتد قفازات حدائق دائماً)
	الشبكة الجانبية ليست خالية	ازل بقايا النباتات من الجانب الخارجي للشبكات
	أسنان نابضية ناقصة (فقط UniversalRake 900)	راجع مركز خدمة زبائن بوش

(A) إذا تواجدت بقايا كثيرة من الأشجار على الساحة (مثل الأوراق والفروع إلخ...), ازلها أولاً عن طريق ضبط الجهاز في ارتفاع العمل رقم 3 أو 4.

يلزم ذكر رقم الصنف ذو الخانات العشر وفقاً للوحة صنع المنتج عند إرسال أية استفسارات أو طلبات قطع غيار.

المغرب

Robert Bosch Morocco SARL
53, شارع الملازم محمد محروم
20300 الدار البيضاء
الهاتف: +212 5 29 31 43 27
البريد الإلكتروني: sav.outillage@ma.bosch.com

تجد المزيد من عناوين الخدمة تحت:
www.bosch-pt.com/serviceaddresses

الصيانة والخدمة

خدمة العملاء واستشارات الاستخدام

يجيب مركز خدمة العملاء على الأسئلة المتعلقة بإصلاح المنتج وصيانتته، بالإضافة لقطع الغيار. تجد الرسوم التفصيلية والمعلومات الخاصة بقطع الغيار في الموقع: www.bosch-pt.com
يسر فريق Bosch لاستشارات الاستخدام مساعدتك إذا كان لديك أي استفسارات بخصوص منتجاتنا وملحقاتها.

التخلص من العدة الكهربائية

يجب التخلص من الأجهزة والتوابع والتغليف بطريقة منصفة بالبيئة عن طريق النفايات القابلة لإعادة التصنيع.

لا تقم برمي الأجهزة والمنتجات الأخرى في النفايات المنزلية!



فقط لدول الاتحاد الأوروبي:

حسب التوجيه الأوروبي 2012/19/EU بصدد الأجهزة الكهربائية والإلكترونية القديمة وتطبيقه ضمن القانون المحلي، ينبغي جمع العدة الكهربائية التي لم تعد صالحة للاستعمال بشكل منفصل، وتسليمها لمركز يقوم بإعادة استغلالها بطريقة محافظة على البيئة.

قد يتسبب التخلص غير السليم من الأجهزة الكهربائية والإلكترونية القديمة في آثار ضارة على البيئة وصحة الإنسان نتيجة لاحتمالية وجود مواد خطرة فيها.

فارسی

دستورات ایمنی

توجه! همه دستورات ایمنی را به دقت بخوانید. خود را با قسمتهای کاربری و نحوه استفاده از ابزار باغبانی آشنا کنید. لطفا دفترچه راهنما را برای آینده خوب نگهداری کنید.

توضیح علائم روی ابزار باغبانی

هشدارهای عمومی.



دفترچه ی راهنما را تا انتها بخوانید.



دقت کنید که افراد نزدیک شما با اجسام به هوا پرت شده زخمی نشوند.



هشدار: هنگام کار ابزار با باغبانی، فاصله ایمنی را رعایت کنید.



احتیاط: به تیغه های در حال حرکت دست نزدیک. تیغه ها تیز هستند. جهت محافظت از انگشتان پا و دست خود احتیاط کنید.



قبل از انجام تنظیمات دستگاه، تمیز کردن، موقع گیر کردن، پاره شدن یا آسیب دیدن کابل دستگاه و یا حتی قرار دادن ابزار باغبانی بدون نظارت برای مدت کوتاه، آن را خاموش کنید و دوشاخه را از پریز درآورید. کابل برق را از تیغه ها/ دندانههای برنده دور نگهدارید.



قبل از تماس با قسمتهای ابزار باغبانی، بگذارید به طور کامل بایستند. تیغه ها/ دندانهها پس از خاموش شدن برای مدتی در حرکت می مانند و می توانند باعث ایجاد جراحات شوند.



ابزار باغبانی را در برابر باران حفظ کنید یا زیر باران رها نکنید.



خود را در برابر شوک الکتریکی مصون بدارید.



کابل اتصال را از تیغه برش دور نگهدارید.



جهت تمیز کردن ابزار باغبانی از شوینده فشار قوی یا شلنگ استفاده نکنید.



محیط کار ابزار باغبانی را از لحاظ وجود حیوانات وحشی و اهلی به دقت کنترل کنید. حیوانات وحشی و اهلی ممکن است هنگام کار با دستگاه زخمی شوند. محیط کار دستگاه را خوب کنترل و آن را از نظر وجود سنگ، تکه چوب، استخوان و سایر اجسام خارجی خالی کنید. دقت کنید که هنگام کار با دستگاه، هیچ حیوان وحشی یا اهلی یا ساقه درخت در علف انبوه پنهان نباشد.



کاربری

هرگز به کودکان یا سایر افراد نا آشنا اجازه استفاده از محصول را ندهید. مقررات مربوط به هر کشور می توانند سن کاربر را محدود کنند. چنانچه از محصول استفاده نمی کنید، آن دور از دسترس کودکان نگهدارید.

هرگز به کودکان و سایر افراد دارای کاستیهای روحی و جسمی یا بدون تجربه یا آشنایی یا به اشخاص بدون اطلاع از روش کاربری اجازه استفاده از محصول را ندهید. مقررات مربوط به هر کشور می توانند سن کاربر را محدود کنند.

اگر خسته یا بیمار هستید یا تحت تأثیر مواد مخدر، دارو یا الکل قرار دارید، از محصول استفاده نکنید.

هرگز از ابزار باغبانی در صورت بودن اشخاص بخصوص کودکان یا حیوانات در نزدیکی شما استفاده نکنید.

کودکان باید زیر نظر باشند تا اطمینان حاصل شود که آنها با محصول بازی نمی کنند.

کاربر در برابر حوادث یا خسارات روی اشخاص یا املاک مسؤؤل می باشد.

همواره هنگام کار با محصول از گوشی و عینک ایمنی استفاده کنید.

هنگام کاربرد محصول، کفشهای سر باز یا صندل نپوشید. کفش کار محکم و یک شلوار بلند بپوشید. هرگز با پای برهنه از محصول استفاده نکنید.

سطوح مورد کار را به دقت بررسی کنید و همه سنگها، تکه ها، سیمها، چوبها، استخوانها، کابلهای مخفی و سایر اجسام متفرقه را جدا کنید.

قبل از استفاده همیشه با چشم کنترل کنید که دندانهها، پیچهای دندانهها سر جایش باشند یا اینکه کهنه و یا آسیب دیده نباشند.

جهت جلوگیری از بر هم خوردن بالانس، دندانهها یا پیچهای تیغه فرسوده را به طور کامل عوض کنید. در مورد دستگاههای با دندانههای زیاد احتیاط کنید، چون چرخش یک دندانه، حرکت سایر دندانهها را موجب میشود.

همواره آرام برانید، هرگز تند حرکت نکنید.

تنها در روز روشن یا نور کافی چراغ، چمن را هوا بدهید یا شیار بیاندازید.

در صورت ممکن از کاربری محصول روی چمن مرطوب خودداری کنید یا از سایر اقدامات احتیاطی برای جلوگیری از سُر خوردن استفاده نمایید.

از شیار انداختن یا هوا دادن چمن در سراسرشیبهای شدید، خودداری کنید.

- ◀ پرخورد کند. هنگام کنترل به تماس احتمالی بین آب و برق و خطر برق‌گرفتگی توجه کنید.
- ◀ پیش از جدا شدن محصول از برق و ایستادن کامل دندانها، به دندانها دست نزنید.
- ◀ **کابل برق و کابل رابط را از دندانها دور نگهدارید.** دندانها ممکن است به کابل برق و کابل رابط آسیب بزنند و منجر به تماس با قسمتهای حامل جریان شود. هنگام کنترل به تماس احتمالی بین آب و برق توجه کنید. خطر برق‌گرفتگی وجود دارد.

سایر نکات ایمنی

- ◀ **این موارد را همراه با دفترچه راهنما بخوانید.**
- ◀ هنگام قدم گذاشتن به عقب یا کشیدن محصول به طرف خود بسیار با احتیاط عمل کنید، زیاد دور نشوید و همیشه تعادل خود را حفظ کنید.
- ◀ محصول، کابل برق و کابل رابط را مرتب از نظر آسیب دیدگی بدنه، پیچ‌خوردگی کابل، خرد‌هسیمهای موجود و نگهدارنده کابل کنترل کنید. هیچ کابل آسیب‌دیده‌ای را به پریز متصل نکنید و از تماس با کابل آسیب دیده، پیش از کشیدن از پریز خودداری نمایید. یک کابل آسیب‌دیده ممکن است به قسمتهای حامل جریان پرخورد کند. هنگام کنترل به تماس احتمالی بین آب و برق و خطر برق‌گرفتگی توجه کنید.
- ◀ **کابل برق و کابل رابط را از دندانها دور نگهدارید.** دندانها ممکن است به کابل برق و کابل رابط آسیب بزنند و منجر به تماس با قسمتهای حامل جریان شود. هنگام کنترل به تماس احتمالی بین آب و برق توجه کنید. خطر برق‌گرفتگی وجود دارد.

- ◀ محصول را فقط به یک پریزی وصل کنید که مجهز به یک کلید حفاظ با جریان خطای حداکثر 30 میلی آمپر باشد.
- ◀ جهت افزایش ایمنی الکتریکی توصیه می شود از یک کلید (RCD) با جریان خطای حداکثر 30 میلی آمپر استفاده شود. همواره کلید حفاظتی خطای جریان را پیش از کاربری کنترل کنید.

دوشاخه را از پریز بیرون بکشید

- وقتی که خود را از ابزار باغبانی جدا می کنید.
- قبل از رفع گیر یا بلوکه ها،
- هنگام کنترل ابزار باغبانی، تمیز یا روی آن کار کردن.
- پس از برخورد با یک جسم خارجی، ابزار باغبانی را سریع از لحاظ آسیب دیدگی کنترل کنید و تیغه را در صورت نیاز تعویض نمایید.
- چنانچه ابزار باغبانی به طور غیر عادی شروع به لرزیدن کرد (فورا کنترل کنید).

اتصال به برق

- ◀ ولتاژ منبع جریان برق باید با مقادیر موجود بر روی برچسب محصول مطابقت داشته باشد.
- ◀ محصول را فقط به یک پریزی وصل کنید که مجهز به یک کلید حفاظ با جریان خطای حداکثر 30 میلی آمپر باشد.

- ◀ کار در بوته ها می تواند خطرناک باشد:
- هنگام کار روی سطوح کج یا چمن مرطوب، مطمئن گام بردارید.
- روی سطوح کج همواره به صورت مورب هوا بدهید/ شیار بیاندازید و نه به صورت بالا و پایین.
- هنگام تغییر جهت در سراسیمها کاملا احتیاط کنید.

- ◀ هنگام قدم گذاشتن به عقب یا کشیدن محصول به طرف خود بسیار با احتیاط عمل کنید، زیاد دور نشوید و همیشه تعادل خود را حفظ کنید.
- ◀ هنگام هوا دادن/ شیار انداختن چمن، دستگاه را همیشه به جلو برانید و هیچگاه آن را به طرف بدن خود نکشید.
- ◀ تیغه ها/ دندانها بایستی رو به بالا باشند، هنگامی که محصول را جهت حمل و نقل واژگون می کنید، وقتی که از روی سطوح پوشیده غیر علف رد می شوید و هنگامی که محصول را از یا به جایی جهت هوا دادن/ شیار انداختن چمن حمل می کنید.

- ◀ ابزار باغبانی را هرگز با تجهیزات محافظ آسیب دیده، سرپوش یا تجهیزات ایمنی مانند محافظ پرتاب و/یا سطل جمع آوری علف بکار نگیرید.
- ◀ ابزار باغبانی را مطابق دستورات دفترچه راهنما روشن کنید و دقت کنید که پاهای شما به اندازه کافی از بخشهای در حال چرخش دور باشند.
- ◀ محصول را هنگام استارت یا روشن بودن موتور واژگون نکنید، غیر از اینکه اینکار برای استارت روی چمن بلند لازم باشد. در این حالت، طرفی که توسط کاربر یا فشار روی دستگیره برگردانده شده است را بیشتر از حد مورد نیاز بلند نکنید. دقت کنید که دستهای شما هنگام تخلیه ابزار باغبانی روی دستگیره قرار گیرند.

- ◀ دستها و پاهای خود را در نزدیکی یا زیر بخشهای در حال چرخش نبرید.
- ◀ هنگام کار با ابزار باغبانی از محدوده پرتاب چمن فاصله بگیرید.
- ◀ ابزار باغبانی را هرگز با موتور روشن بلند یا حمل نکنید.

- ◀ دقت کنید که هنگام نگهداری در انبار، ابزار باغبانی با هر 4 چرخ روز زمین قرار گیرد.
- ◀ ابزار باغبانی را تنها از دسته بلند کنید. دسته را با احتیاط بگیرید.
- ◀ دستگاه را دستکاری نکنید. تغییرات غیر مجاز ممکن است ایمنی دستگاه شما را مختل و بازده را کم یا ایجاد سر و صدای شدید یا لرزش کنند.
- ◀ هنگام تنظیم محصول مواظب باشید که پاها و دستها بین تیغهها/ دندانها و قسمتهای ثابت دستگاه گیر نکنند.

- ◀ در صورت بد بودن هوا بخصوص هنگام رعد و برق با محصول کار نکنید.
- ◀ محصول، کابل برق و کابل رابط را مرتب از نظر آسیب دیدگی بدنه، پیچ‌خوردگی کابل، خرد‌هسیمهای موجود و نگهدارنده کابل کنترل کنید. هیچ کابل آسیب‌دیده‌ای را به پریز متصل نکنید و از تماس با کابل آسیب دیده، پیش از کشیدن از پریز خودداری نمایید. یک کابل آسیب‌دیده ممکن است به قسمتهای حامل جریان

- بیشترین طول 30 متر برای کابل رابط یا 60 متر برای قرقه کابل دارای کلید حفاظت جریان خطا تذکر: در صورت استفاده از کابل رابط بایستی کابل همانطور که در دستورات ایمنی ذکر شد، دارای محافظ ارت باشد که از طریق دوشاخه به محافظ ارت سیستم الکتریکی شما متصل است. در موارد مشکوک به یک متخصص برقی یا نمایندگی مجاز بوش در نزدیکی خود مراجعه کنید.

احتیاط: کابل رابط غیر استاندارد ممکن است خطر ساز باشد. کابل رابط، دوشاخه و مادگی بایستی ضد آب و مناسب با محیط بیرون باشند.



تذکر برای محصولاتی که در انگلیس فروخته نمی شوند:

توجه: برای ایمنی شما لازم است که دوشاخه روی محصول به کابل رابط وصل باشد. کوپل کابل رابط بایستی در برابر ورپاش آب مصون باشد، لاستیکی و یا با لاستیک پوشیده شده باشد. کابل رابط بایستی با بست لاستیکی بکار برده شود.

سرویس و مراقبت

◀ در صورت کار در محدوده تیغهها/دندانهای تیز، همواره از دستکش باغبانی استفاده کنید.

◀ از محکم بودن مهره ها، پین ها و پیچها مطمئن شوید تا وضعیت کار ایمنی برای محصول تضمین گردد.

◀ مرتب سطل جمع آوری چمن را از نظر فرسودگی و تغییر شکل کنترل کنید.

◀ محصول را کنترل کنید و قسمتهای فرسوده یا آسیب دیده را جهت اطمینان تعویض کنید.

◀ مطمئن شوید که قطعات تعویضی از شرکت بوش باشند.

◀ قبل از نگهداری در انبار از تمیز بودن و خالی بودن محصول اطمینان حاصل کنید. در صورت امکان با یک برس خشک و نرم تمیز کنید.

علامت ها

علامتهای ذیل برای استفاده از چاروبرقی مهم می باشند. لطفا این علائم و معانی آنها را به خاطر بسپارید. فهم درست این علائم به شما جهت استفاده ی درست و ایمن از محصول کمک می کند.

معنی	علامت
مسیر یا جهت حرکت	
مسیر یا جهت عکس العمل	
از دستکش ایمنی استفاده کنید	
وزن	
نمونه روشن کردن	

◀ هنگام تعویض کابل این دستگاه، تنها از کابل شرکت استفاده کنید، جهت شماره سفارش و مدل به دفترچه راهنما مراجعه کنید.

◀ دوشاخه را هرگز با دست خیس نگیرید.

◀ کابل اتصال یا کابل رابط را لگد مال یا له نکنید، آن را نکشید، چون ممکن است آسیب ببیند. کابل اتصال/رابط را در برابر گرما، روغن و لبه های تیز محفوظ بدارید.

◀ کابل رابط بایستی مطابق با قطر مندرج در دفترچه راهنما و در برابر ورپاش آب مصون باشند. محل اتصال نباید در آب قرار گیرد.

◀ در صورت کار در محدوده تیغهها/دندانهای تیز، همواره از دستکش باغبانی استفاده کنید.

ایمنی الکتریکی

توجه! محصول را قبل از سرویس یا تمیز کاری خاموش کنید و دوشاخه آنرا از شبکه برق بیرون بکشید. همین کار را در صورت بریدگی، آسیب دیدگی یا کلافه شدن کابل دستگاه انجام دهید.



◀ پس از خاموش شدن ابزار باغبانی، تیغهها/دندانهای آن چند ثانیه در حرکت می ماند.

◀ احتیاط! به تیغهها/دندانهای در حال چرخش دست نزنید.

محصول جهت ایمنی شما عایق است و نیاز به ارت ندارد. ولتاژ مورد نیاز برابر است با 230 V AC, 50 Hz (برای کشورهای غیر اتحادیه اروپا 220 یا 240 V). تنها از کابل رابط مجاز استفاده کنید. اطلاعات مربوط را از نمایندگی مجاز بوش (خدمات پس از فروش) کسب کنید.

◀ جهت افزایش ایمنی الکتریکی توصیه می شود از یک کلید (RCD) با جریان خطای حداکثر 30 میلی آمپر استفاده شود. همواره کلید حفاظتی خطای جریان را پیش از کاربری کنترل کنید.

کابل برق یا کابل رابط را از تمام قسمتهای متحرک دور نگهدارید و از هر گونه آسیب دیدگی کابل جلوگیری کنید تا تماسی با قسمتهای حامل جریان برقرار نشود.

اتصالات کابل (بریز و دوشاخه) بایستی خشک باشند و روی زمین قرار نگیرند.

کابل برق و کابل رابط باید مرتب از لحاظ داشتن عیب و نقص کنترل و تنها در صورت بی عیب بودن بکار برده شود.

در صورت معیوب بودن کابل برق محصول باید آنرا فقط توسط تعمیرگاه های مجاز و خدمات پس از فروش ابزارآلات برقی بوش تعمیر کرد. تنها از کابل رابط مجاز استفاده کنید.

تنها از کابل رابط، کابل، سیم ها و قرقه کلافی استفاده کنید که با 61242/IEC EN 61242 یا 2-7-60884 مطابق دارند و از نوع H05VV-F یا H05RN-F هستند.

چنانچه هنگام کار با محصول از یک کابل رابط استفاده می کنید، کابل های با قطر زیر لازم هستند: - قطر 1,25 میلیمتر² یا 1,5 میلیمتر²

موارد استفاده از دستگاه

ابزار باغبانی جهت چمن زنی در محیط شخصی برای هوا دادن و شایر انداختن در نظر گرفته شده است. ابزار باغبانی جهت بریدن شمشاد، کوتاه کردن، خرد کردن و غیره در نظر گرفته نشده است. ابزار باغبانی برای کار در ارتفاع از زمین در نظر گرفته نشده است.

معنی	علامت
نحوه خاموش کردن	○
کاربری مجاز	✓
عملکرد ممنوع و غیر مجاز	✗
سر و صدای قابل شنیدن	CLICK
متعلقات/قطععات یدکی	

مشخصات فنی

هوا دهنده / شیار انداز چمن			
UniversalVerticut 1100	UniversalRake 900		
3 600 H8A 1..	3 600 H8A 0..		شماره فنی
1100	900	W	قدرت ورودی نامی
32	32	cm	عرض شیار
50	50	l	حجم، سطل جمع آوری چمن
			مکانیک
-	•		- دندان فنی
•	-		- تیغه پاندولی
Jet Collect	Jet Collect		سیستم جمعآوری کننده
+5/0/-5/-10	+10/+5/0/-5	میلیمتر	ارتفاع کار
10.5	10.0	kg	وزن مطابق استاندارد EPTA-Procedure 01:2014
II/□	II/□		کلاس ایمنی

رجوع کنید به برجسب روی ابزار باغبانی

شماره فنی/شماره سری

مقادیر برای ولتاژ نامی [U] 230 ولت میباشند. برای ولتاژهای مختلف و تولیدات مخصوص کشورها، ممکن است این مقادیر، متفاوت باشند. تمام مقادیر موجود در این دفترچه برای کاربری برابر یا کمتر از 2000 متر بالاتر از سطح دریا اندازه گیری شده اند.

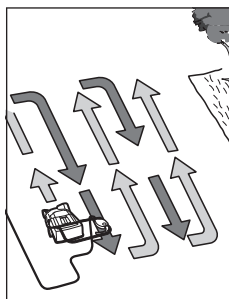
راهنمایی های عملی

هوا دادن و شیار انداختن چمن

محصول را روی گوشه چمن و تا جای ممکن نزدیک یک پرز برق قرار دهید. از سمت پرز با فاصله کار کنید.

پس از هر بار دور زدن، کابل دستگاه را به سمت روبرو و تمام شده برانید.

هنگام هوا دادن/ شیار انداختن چمن، به موتور دستگاه فشار نیاورید.



UniversalRake 900

در صورت فشار زیاد، سرعت موتور کم میشود و صدای آن تغییر میکند. در این صورت، توقف کنید، کلید اهرمی دستگاه را رها کنید و ارتفاع کار را

نحوه نصب و کاربرد

محصول را قبل از نصب کامل به پرز وصل نکنید.

نوع عملکرد	تصویر	صفحه
ممتویات ارسالی	A	24
نصب کابل اتصال را وصل کنید	B	24
سر هم کردن سطل جمع آوری چمن	C	25
نصب محفظه جمع آوری علف	D	25
تنظیم ارتفاع کار	E	26
روشن/خاموش کردن UniversalRake 900	F	26
روشن/خاموش کردن UniversalRake 1100	G	27
سرویس، تمیز کردن و نگهداری	H	27

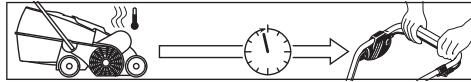
راهنماییهایی برای هوا دادن و شیار انداختن چمن

بهترین شرایط هوا دادن و شیار انداختن چمن هنگام کوتاه بودن و زیاد مرطوب نبودن چمن است. در صورت هوا دادن یا شیار انداختن چمن با کف بسیار نرم یا سخت، ممکن است به محصول آسیب برسد و باعث شود تا محصول عمل جمعآوری را خوب انجام ندهد.

- پیش از هوا دادن یا شیار انداختن، خزهای موجود روی چمن را با ماده مخصوص از بین ببرید.
- محصول را در ارتفاع کاری بیشتر روشن کنید و در صورت نیاز ارتفاع را کاهش دهید.
- هوا دادن یا شیار انداختن چمن را در یک جهت به طور بالا و پایین انجام دهید، یک هفته بعد به همان روش با یک زاویه راست تکرار کنید تا تمام چمن را در برگرد.
- نسبت به وضعیت چمن ممکن است هوا دادن یا شیار انداختن خزه و قسمتهای مرده گیاهان منجر به ایجاد جای خالی و حفره در سطح کار شود.
- تذکر:** چنانچه قسمتهایی از درختان (برگ، ساقه و غیره) روی سطح کار قرار دارد، پابستی اینها را با تنظیم ارتفاع 3 یا 4 بر محصول بردارید.
- برای کسب نتیجه بهینه، پیش از بذرپاشی دوباره چمن، چمنزنی کنید. قسمتهای خالی چمن را توسط تخم با کیفیت عالی دوباره بذرپاشی کنید. بگذارید تا بذر چمن تازه کاشته شده پیش از کوددهی جوانه بزند و به مقدار نیاز آبیاری کنید تا بذر خشک نشود.
- بهترین زمان هوا دادن یا شیار انداختن چمن در فصل بهار یا پاییز است.
- برای رسیدگی به چمن میتوان پس از هر بار چمنزنی با تنظیم یک ارتفاع کاری بیشتر شیار انداخت.

بیشتر کنید. در غیر اینصورت ممکن است موتور آسیب ببیند.

UniversalVerticut 1100



موتور به یک سیستم قطع ایمنی مجهز است که در صورت گیر کردن و بلوکه شدن تیغها یا فشار زیاد روی موتور دستگاه فعال میشود. در صورت بروز چنین حالتی، محصول را خاموش کنید.

سیستم قطع ایمنی تنها با رها کردن کلید اهرمی غیر فعال میشود.

پیش از اینکه محصول را دوباره روشن کنید، دوشاخه را بکشید، بلوکه یا گیر را رفع کنید تا سیستم قطع ایمنی غیر فعال شود.

در صورت کار در محدوده تیغها/دندانهای تیز، همواره از دستکش باغبانی استفاده کنید.

تذکر: چنانچه منتظر غیرفعال شدن سیستم قطع ایمنی باشید و یا اینکه کلید اهرمی را خیلی زود در حین متصل بودن محصول به پریز برق فشار دهید، مدت زمان غیر فعال شدن سیستم قطع ایمنی زیادتر میشود.

چنانچه محصول دوباره خاموش شد، ارتفاع کاری را افزایش دهید یا کار را به تأخیر بیندازید تا شرایط بهتر شوند. بدین منظور به "جدول جستجوی خطا" و "راهنماییهایی برای هوا دادن و شیار انداختن به چمن" مراجعه کنید.

جستجوی خطا

جدول زیر علل بروز ایرادها را نشان می دهد و شما را جهت رفع آنها در صورت کارکرد نادرست محصول راهنمایی می کند. چنانچه از این طریق نتوانستید مشکل را پیدا کنید به تعمیرکار خود مراجعه کنید.

توجه: قبل از عیب یابی دستگاه را خاموش کنید و دوشاخه را از برق بکشید.

ایراد	دلیل ممکن	راهنمایی
ابزار باغبانی کار نمی کند	دستگاه به برق وصل نیست	کنترل کنید و وصل کنید
پریز برق خراب است	پریز برق خراب است	از پریز دیگر استفاده کنید
کابل رابط آسیب دیده است	کابل رابط آسیب دیده است	کابل را کنترل کنید و در صورت آسیب دیدگی تعویض کنید
فیوز پریده است	فیوز پریده است	چنانچه فیوز همچنان می پرد، برق شبکه خود را کنترل کنید یا به نمایندگی Bosch مراجعه کنید
امکان گرفتگی	سیستم قطع ایمنی فعال است (تنها برای UniversalVerticut 1100)	قسمت پایین ابزار باغبانی را کنترل و در صورت نیاز خالی کنید (همواره از دستکش باغبانی استفاده کنید)
	تنظیمات هوا دادن یا شیار انداختن چمن برای این محیط کاری بسیار کم است	به پایین رجوع کنید ^(A)
		ارتفاع بیشتری را تنظیم کنید

ایراد	دلیل ممکن	راهنمایی
	مور گیر کرده است	گرفتگی را برطرف کنید (همواره از دستکش باغبانی استفاده کنید)
	توری جانبی آزاد نیست	باقیمانده گیاهان را از قسمت بیرونی توری جانبی جدا کنید
ابزار باغبانی با توقف کار می کند	سطل جمع آوری چمن پُر است	سطل جمع آوری چمن را مرتب خالی کنید
	کابل رابط آسیب دیده است	کابل را کنترل کنید و در صورت آسیب دیدگی تعویض کنید
	اتصال درونی کابل‌های ابزار باغبانی معیوب است	به نمایندگی بوش مراجعه کنید
	تیغه‌ها/ دندانه‌ها کهنه شده‌اند	به نمایندگی Bosch مراجعه کنید
	رطوبت محیط بسیار بالاست	ارتفاع کاری را بیشتر کنید (رجوع کنید به "راهنمای‌های برای هوا دادن یا شیار انداختن چمن")
	سطح کار بسیار پوشیده از باقیمانده گیاهان است	به پایین رجوع کنید ^A
	امکان گرفتگی	قسمت پایین ابزار باغبانی را کنترل و در صورت نیاز خالی کنید (همواره از دستکش باغبانی استفاده کنید)
	تنظیمات هوا دادن یا شیار انداختن چمن برای این نوع کاربری بسیار کم است	ارتفاع بیشتری را تنظیم کنید
	چمن خیلی بلند است	چمن را کوتاه کنید
	سطح کار بسیار ناصاف است	ارتفاع بیشتری را تنظیم کنید
ابزار باغبانی سخت کار میکند یا تسمه سوت می کشد	سطل جمع آوری چمن پُر است	سطل جمع آوری چمن را مرتب خالی کنید
	ارتفاع کاری کم است	ارتفاع کاری را بیشتر کنید (رجوع کنید به "تنظیم ارتفاع کاری")
تیغه‌ها/ دندانه‌ها نمیچرخند	تیغه‌ها/ دندانه‌ها توسط چمن، گیر کرده‌اند	گرفتگی را برطرف کنید (همواره از دستکش باغبانی استفاده کنید)
لرزش شدید/ سر و صدا	تسمه سوت میکشد یا خراب است	به نمایندگی Bosch مراجعه کنید
	تیغه‌ها/ دندانه‌ها آسیب دیده‌اند	به نمایندگی Bosch مراجعه کنید
بازده کاری رضایکند نیست	کف زمین برای هوا دادن یا شیار انداختن بسیار مرطوب است	ارتفاع کاری را بیشتر کنید (رجوع کنید به "راهنمای‌های برای هوا دادن یا شیار انداختن چمن")
	تنظیمات هوا دادن یا شیار انداختن چمن برای این محیط کاری بسیار کم است	ارتفاع بیشتری را تنظیم کنید
	امکان گرفتگی	قسمت پایین ابزار باغبانی را کنترل و در صورت نیاز خالی کنید (همواره از دستکش باغبانی استفاده کنید)
	توری جانبی گرفته است	باقیمانده گیاهان را از قسمت بیرونی توری جانبی جدا کنید
	دندانه‌های فئری موجود نیستند (تنها برای UniversalRake 900)	به نمایندگی Bosch مراجعه کنید

A) چنانچه قسمتهایی از درختان (برگ، ساقه و غیره) روی سطح کار قرار دارد، بایستی اینها را با تنظیم ارتفاع 3 یا 4 بر محصول بردارید.

مراقبت و سرویس

خدمات و مشاوره با مشتریان

خدمات مشتری، به سؤالات شما درباره تعمیرات، سرویس و همچنین قطعات یدکی پاسخ خواهد داد. نقشه‌های سه بعدی و اطلاعات مربوط به قطعات یدکی را در تارنمای زیر میابید:

www.bosch-pt.com

گروه مشاوره به مشتریان Bosch با کمال میل به سؤالات شما درباره محصولات و متعلقات پاسخ می‌دهند.

برای هرگونه سؤال و یا سفارش قطعات یدکی، حتماً شماره فنی 10 رقمی کالا را مطابق برچسب روی ابزار برقی اطلاع دهید.

ایران

روبرت بوش ایران - شرکت بوش تجارت پارس
میدان ونک، خیابان شهید خدای، خیابان آفتاب
ساختمان مادیران، شماره 3، طبقه سوم.

تهران 1994834571

تلفن: 9821+ 42039000

آدرس سایر دفاتر خدماتی را در ادامه بیابید:

www.bosch-pt.com/serviceaddresses

از رده خارج کردن دستگاه

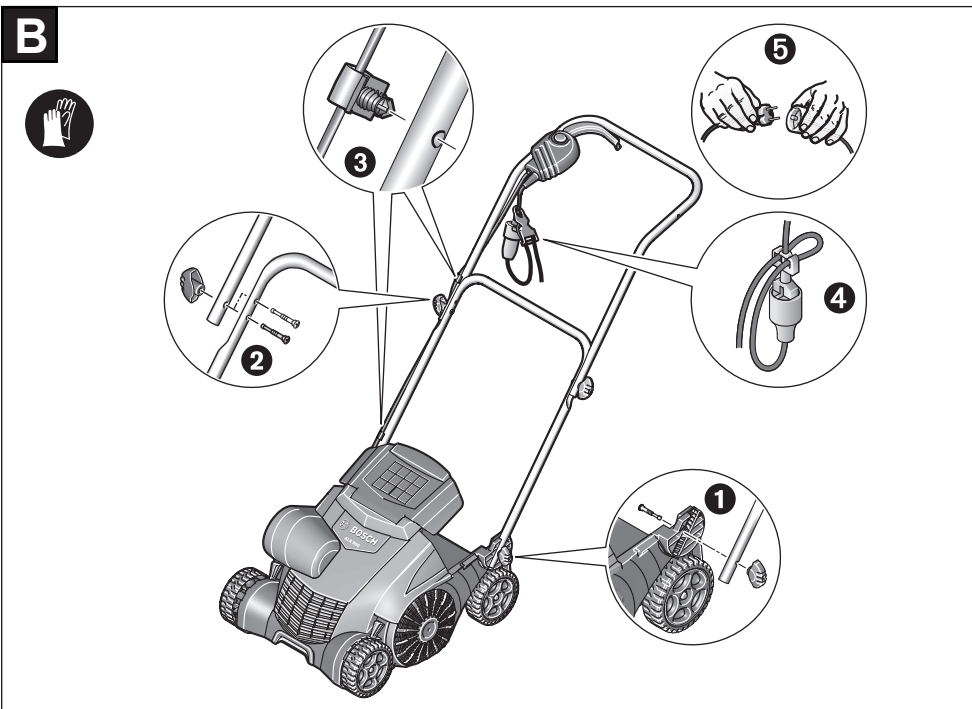
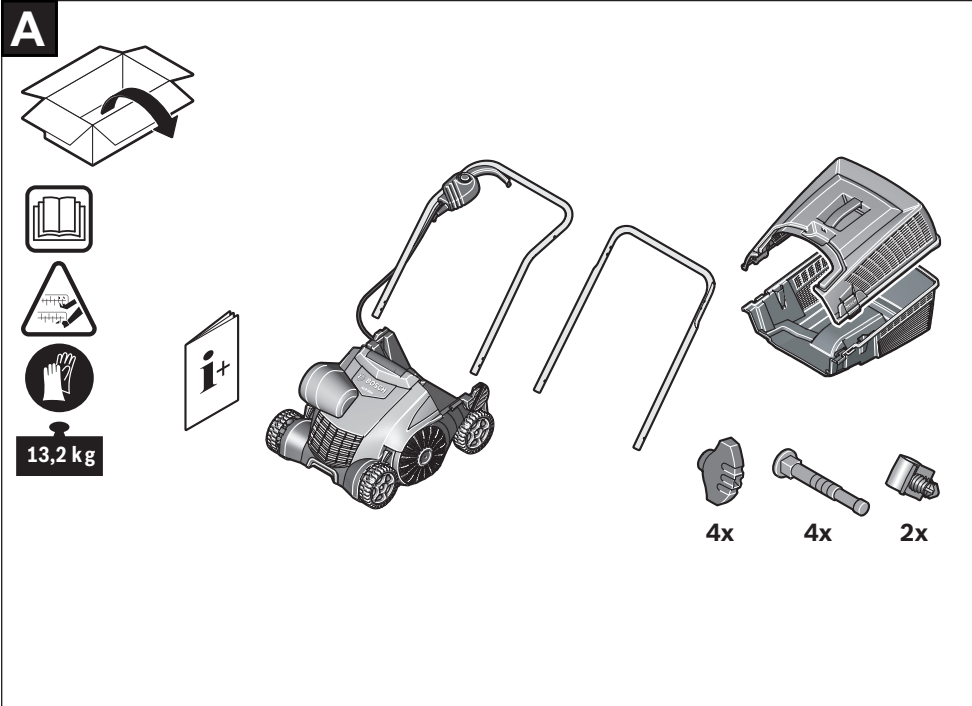
م محصولات، متعلقات و بسته بندی آن، باید طبق مقررات حفظ محیط زیست از رده خارج و بازیافت شوند.

م محصولات را داخل زباله دان خانگی نیاندازید!

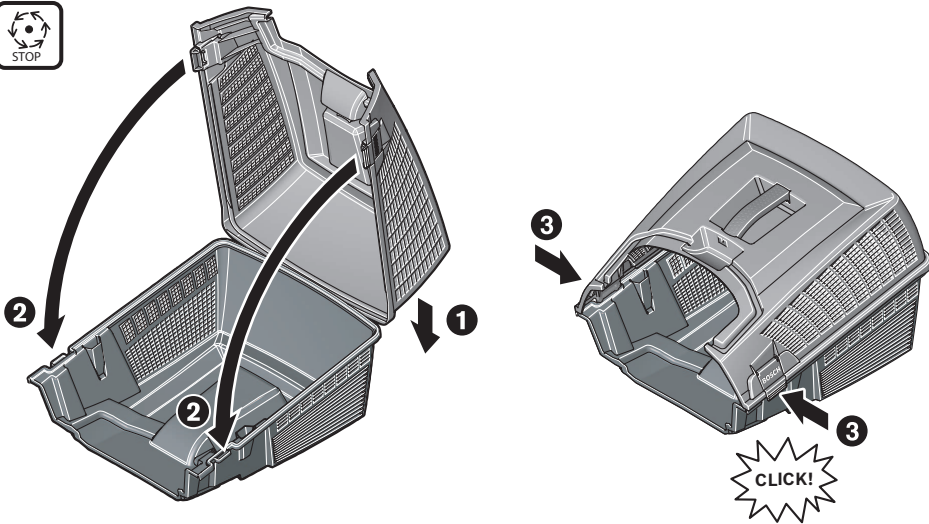


فقط برای کشورهای عضو اتحادیه اروپا:

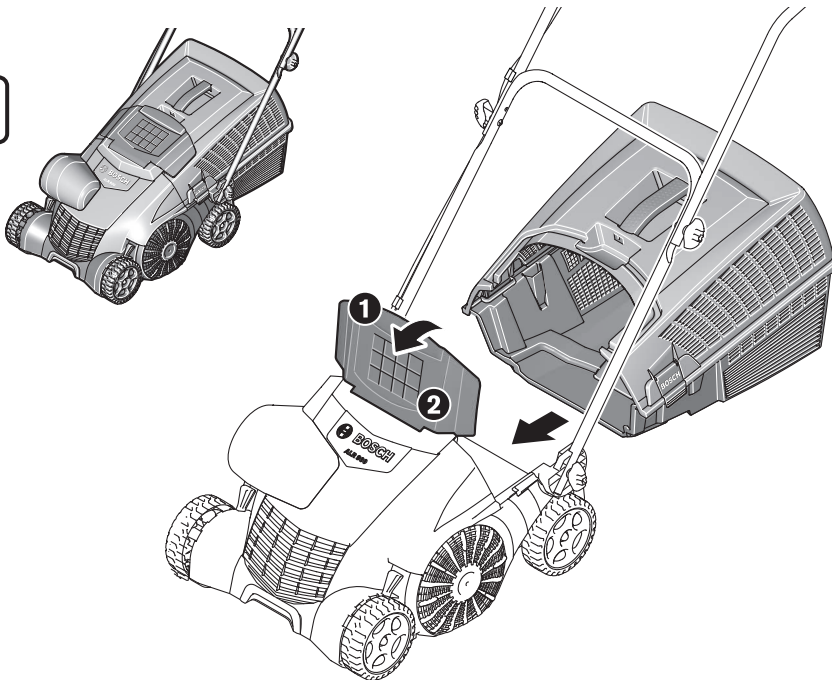
طبق آئین نامه و دستورالعمل اروپائی 2012/19/EU در باره دستگاههای کهنه الکتریکی و الکترونیکی و تبدیل آن به حق ملی، باید ابزارهای برقی غیرقابل استفاده را جداگانه جمع آوری کرد و نسبت به بازیافت مناسب با محیط زیست اقدام بعمل آورد. در صورت دفع نادرست ضایعات تجهیزات الکتریکی و الکترونیکی، به دلیل وجود احتمالی مواد خطرناک، اثرات مضر بر محیط زیست و سلامت انسان خواهند داشت.

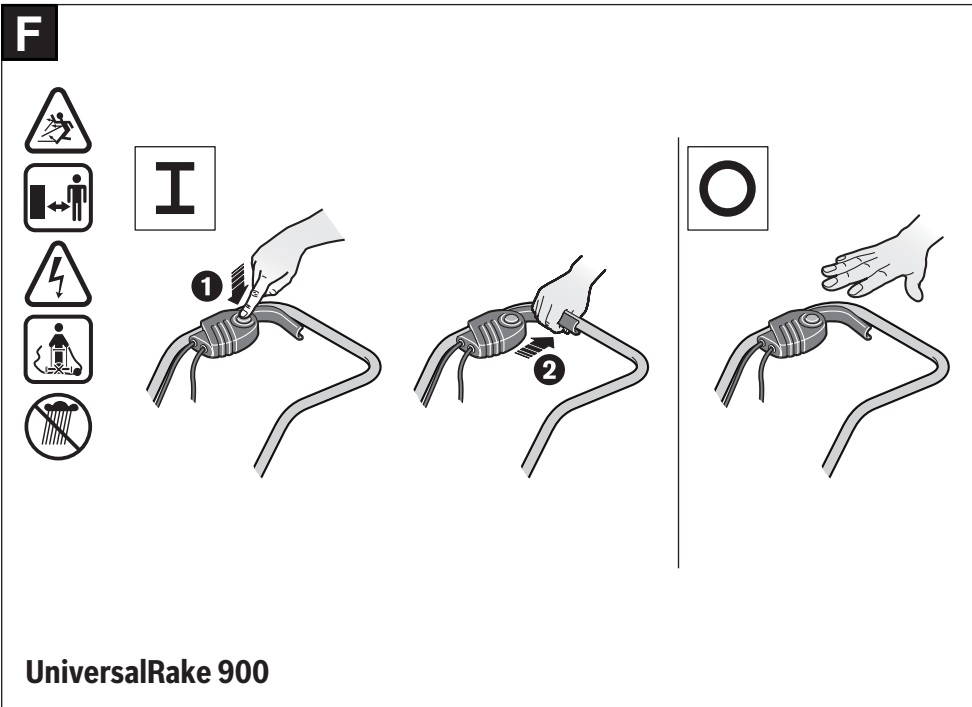
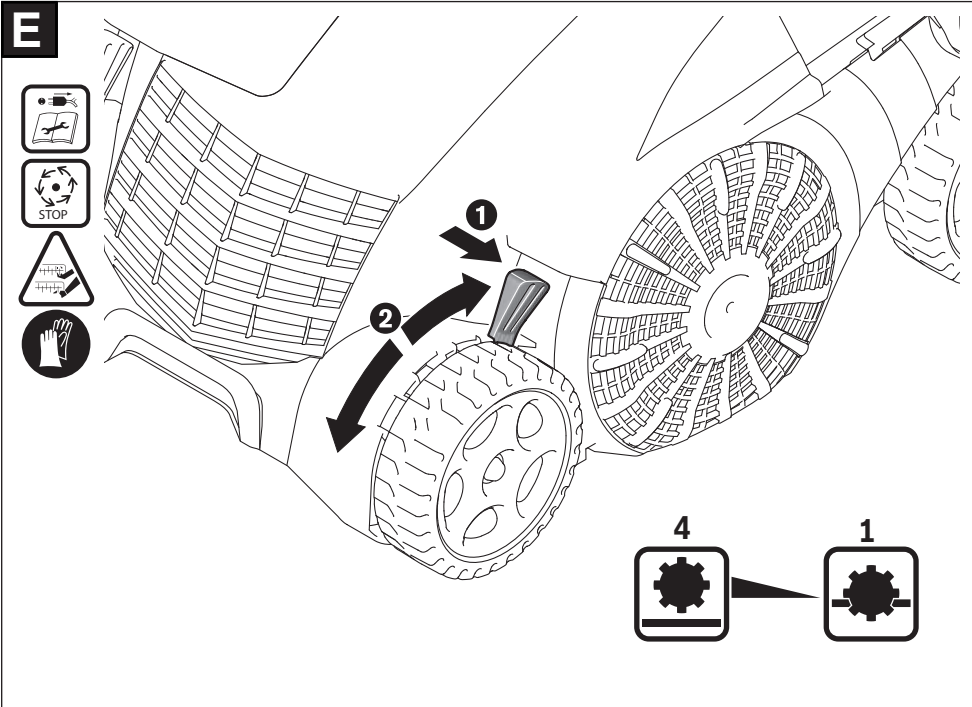


C



D





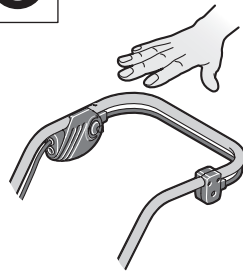
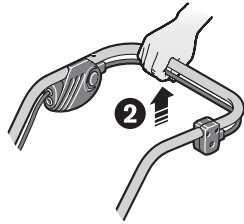
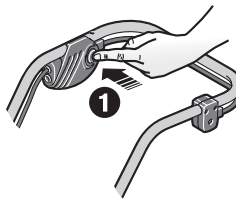
UniversalRake 900

G



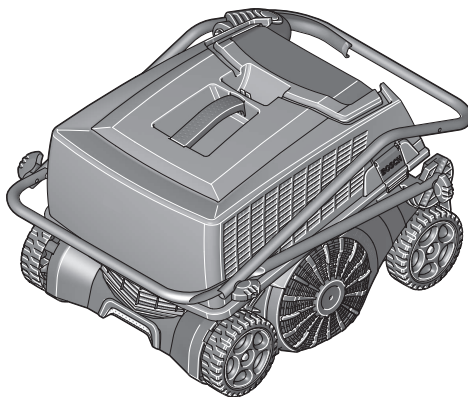
I

O



UniversalVerticut 1100

H



de	EU-Konformitätserklärung		Wir erklären in alleiniger Verantwortung, dass die genannten Produkte allen einschlägigen Bestimmungen der nachfolgend aufgeführten Richtlinien und Verordnungen entsprechen und mit folgenden Normen übereinstimmen.
	Rasenlüfter	Sachnummer	
	Vertikutierer		
en	EU Declaration of Conformity		We declare under our sole responsibility that the stated products comply with all applicable provisions of the directives and regulations listed below and are in conformity with the following standards.
	Raker	Article number	
	Verticutter		
fr	Déclaration de conformité UE		Nous déclarons sous notre propre responsabilité que les produits décrits sont en conformité avec les directives, règlements normatifs et normes énumérés ci-dessous.
	Aérateurs de gazon	N° d'article	
	Scarificateur		
es	Declaración de conformidad UE		Declaramos bajo nuestra exclusiva responsabilidad, que los productos nombrados cumplen con todas las disposiciones correspondientes de las Directivas y los Reglamentos mencionados a continuación y están en conformidad con las siguientes normas.
	Aireador	Nº de artículo	
	Escarificador		
pt	Declaração de Conformidade UE		Declaramos sob nossa exclusiva responsabilidade que os produtos mencionados cumprem todas as disposições e os regulamentos indicados e estão em conformidade com as seguintes normas.
	Arejador de relva	N.º do produto	
	Escarificador		
it	Dichiarazione di conformità UE		Dichiariamo sotto la nostra piena responsabilità che i prodotti indicati sono conformi a tutte le disposizioni pertinenti delle Direttive e dei Regolamenti elencati di seguito, nonché alle seguenti Normative.
	Arieggiatore	Codice prodotto	
	Scarificatore		
nl	EU-conformiteitsverklaring		Wij verklaren op eigen verantwoordelijkheid dat de genoemde producten voldoen aan alle desbetreffende bepalingen van de hierna genoemde richtlijnen en verordeningen en overeenstemmen met de volgende normen.
	Gazonbeluchter	Productnummer	
	Verticuteerder		
da	EU-overensstemmelseserklæring		Vi erklærer som eneansvarlige, at det beskrevne produkt er i overensstemmelse med alle gældende bestemmelser i følgende direktiver og forordninger og opfylder følgende standarder.
	Plænelufter	Typenummer	
	Vertikalskærer		
sv	EU-konformitetsförklaring		Vi förklarar under eget ansvar att de nämnda produkterna uppfyller kraven i alla gällande bestämmelser i de nedan angivna direktiven och förordningarnas och att de stämmer överens med följande normer.
	Gräsluftare	Produktnummer	
	Jordfräs		
no	EU-samsvarserklæring		Vi erklærer under eneansvar at de nevnte produktene er i overensstemmelse med alle relevante bestemmelser i direktivene og forordningene nedenfor og med følgende standarder.
	Plenlufter	Produktnummer	
	Scarifier		
fi	EU-vaatimustenmukaisuusvakuutus		Vakuutamme täten, että mainitut tuotteet vastaavat kaikkia seuraavien direktiivien ja asetusten asiaankuuluvia vaatimuksia ja ovat seuraavien standardien vaatimusten mukaisia.
	Nurmikon ilmaaja	Tuotenumero	
	Jyrsijä		
el	Δήλωση πιστότητας ΕΕ		Δηλώνουμε με αποκλειστική μας ευθύνη, ότι τα αναφερόμενα προϊόντα αντιστοιχούν σε όλες τις σχετικές διατάξεις των πιο κάτω αναφερόμενων οδηγιών και κανονισμών και ταυτίζονται με τα ακόλουθα πρότυπα.
	Αεριστής	Αριθμός ευρετηρίου	
	Αναδευτής γρασιδιού		
tr	AB Uygunluk beyanı		Tek sorumlu olarak, tanımlanan ürünün aşağıdaki yönetmelik ve direktiflerin geçerli bütün hükümlerine ve aşağıdaki standartlara uygun olduğunu beyan ederiz.
	Çim havalandırıcı	Ürün kodu	
	Tırmaklıyıcı		
pl	Deklaracja zgodności UE		Oświadczamy z pełną odpowiedzialnością, że niniejsze produkty odpowiadają wszystkim wymaganiom poniżej wyszczególnionych dyrektyw i rozporządzeń, oraz że są zgodne z następującymi normami.
	Aerator	Numer katalogowy	
	Kultywator		

cs	EU prohlášení oshodě Provdzušňovač trávníků Vertikutátor	Objednací číslo	Prohlašujeme na výhradní zodpovědnost, že uvedený výrobek splňuje všechna příslušná ustanovení níže uvedených směrnic a nařízení a je vsouladu následujícími normami:*
sk	EÚ vyhlásenie ozhode Prevzdušňovač trávnik Vertikulátor	Vecné číslo	Vyhlasujeme na výhradnú zodpovednosť, že uvedený výrobok spĺňa všetky príslušné ustanovenia nižšie uvedených smerníc a nariadení a je vsúlade nasledujúcimi normami:
hu	EU konformitási nyilatkozat Gyepelvegőztető Mélyszellőztető	Cikkszám	Egyedüli felelősséggel kijelentjük, hogy a megnevezett termék megfelelnek az alábbiakban felsorolásra kerülő irányelvek és rendeletek valamennyi idevágó előírásainak és megfelelnek a következő szabványoknak.
ru	Заявление о соответствии ЕС Аэратор Культиватор газонов	Товарный №	Мы заявляем под нашу единоличную ответственность, что названные продукты соответствуют всем действующим предписаниям нижеуказанных директив и распоряжений, а также нижеуказанных норм.
uk	Заява про відповідність ЄС Аератор Вертикутер	Товарний номер	Мизаявляємо під нашу одноособову відповідальність, що названі вироби відповідають усім чинним положенням нищеозначених директив і розпоряджень, а також нижчеозначеним нормам.
kk	ЕО сәйкестік мағлұмдамасы Көгал желдеткіші Вертикутер	Өнім нөмірі	Өз жауапкершілікпен біз аталған өнімдер төменде жзылған директикалар мен жарлықтардың тиісті қағидаларына сәйкестігін және төмендегі нормаларға сай екенін білдіреміз.
ro	Declarație de conformitate UE Aerator de gazon Scarificator	Număr de identificare	Declarăm pe proprie răspundere că produsele menționate corespund tuturor dispozițiilor relevante ale directivelor și reglementărilor enumerate în cele ce urmează și sunt în conformitate cu următoarele standarde.
bg	ЕС декларация за съответствие Аератор Вертикулатор	Каталоген номер	С пълна отговорност ние декларираме, че посочените продукти отговарят на всички валидни изисквания на директивите и разпоредбите по-долу и съответства на следните стандарти.
mk	EU-Изјава за сообразност Аератор Скарификатор на тревник	Број на дел/артикл	Со целосна одговорност изјавуваме, дека опишаните производи се во согласност со сите релевантни одредби на следните регулативи и прописи и се во согласност со следните норми.
sr	EU-izjava o usaglašenosti Aerator Vertikuler travnjaka	Broj predmeta	Na sopstvenu odgovornost izjavljujemo, da navedeni proizvodi odgovaraju svim dotičnim odredbama naknadno navedenih smernica u uredaba i da su u skladu sa sledećim standardima.
sl	Izjava o skladnosti EU Prezračevalnik trate Vertikutir	Številka artikla	Izjavljamo pod izključno odgovornostjo, da je omenjen izdelek v skladu z vsemi relevantnimi določili direktiv in uredb ter ustreza naslednjim standardom.
hr	EU izjava o sukladnosti Prozračivač travnjaka Vertikulator	Kataloški br.	Pod punom odgovornošću izjavljujemo da navedeni proizvodi odgovaraju svim relevantnim odredbama direktiva i propisima navedenima u nastavku i da su sukladni sa sljedećim normama.
et	EL-vastavusdeklaratsioon Muruõhutaja Täkestaja	Tootenumber	Kinnitame ainuvastutajatena, et nimetatud tooted vastavad järgnevalt loetletud direktiivide ja määruste kõikidele asjaomastele nõuetele ja on kooskõlas järgmistega normidega.

lv	Deklarācija par atbilstību ES standartiem		Mēs ar pilnu atbildību paziņojam, ka šeit aplūkotie izstrādājumi atbilst visiem tālāk minētajās direktīvās un rīkojumos ietvertajām saistošajām nostādņēm, kā arī sekojošiem standartiem.
	Zāliena tīrītājs	Izstrādājuma numurs	
	Kultivators		
lt	ES atitikties deklaracija		Atsakingai pareiškiame, kad išvardyti gaminiai atitinka visus privalomus žemiau nurodytų direktyvų ir reglamentų reikalavimus ir šiuos standartus.
	Vejos aeratorius	Gaminio numeris	
	Purenamasis kultivatorius		

UniversalRake 900	3 600 H8A 001	2006/42/EC	EN 60335-1:2012+A11:2014+A13:2017
UniversalVerticut 1100	3 600 H8A 101	2014/30/EU	+A1:2019 +A14:2019+A2:2019+A15:2021
	3 600 H8A 131	2011/65/EU	EN 50636-2-92:2014
		2000/14/EC	EN IEC 55014-1:2021
			EN IEC 55014-2:2021
			EN IEC 61000-3-2:2019+A1:2021
			EN 61000-3-3:2013+A1:2019+A2:2021
			EN IEC 63000:2018

de	<p>3 600 H8A 0.. : 2000/14/EG: Gemessener Schallleistungspegel 94 dB(A), garantierter Schallleistungspegel 96 dB(A)</p> <p>3 600 H8A 1.. : 2000/14/EG: Gemessener Schallleistungspegel 94 dB(A), garantierter Schallleistungspegel 96 dB(A)</p> <p>Bewertungsverfahren der Konformität gemäß Anhang V. Produktkategorie: 49</p> <p>Technische Unterlagen bei: *</p>
en	<p>3 600 H8A 0.. : 2000/14/EC: Measured sound power level 94 dB(A), guaranteed sound power level 96 dB(A)</p> <p>3 600 H8A 1.. : 2000/14/EC: Measured sound power level 94 dB(A), guaranteed sound power level 96 dB(A)</p> <p>Conformity assessment procedure in accordance with annex V. Product category: 49 Technical file at: *</p>
fr	<p>3 600 H8A 0.. : 2000/14/CE : niveau de puissance acoustique mesuré 94 dB(A), niveau de puissance acoustique garanti 96 dB(A)</p> <p>3 600 H8A 1.. : 2000/14/CE : niveau de puissance acoustique mesuré 94 dB(A), niveau de puissance acoustique garanti 96 dB(A)</p> <p>Procédure d'évaluation de conformité selon l'annexe V. Catégorie de produit : 49</p> <p>Dossier technique auprès de : *</p>
es	<p>3 600 H8A 0.. : 2000/14/CE: nivel medido de la potencia acústica 94 dB(A), nivel garantizado de la potencia acústica 96 dB(A)</p> <p>3 600 H8A 1.. : 2000/14/CE: nivel medido de la potencia acústica 94 dB(A), nivel garantizado de la potencia acústica 96 dB(A)</p> <p>Método de evaluación de la conformidad según anexo V. Categoría de producto: 49</p> <p>Documentos técnicos de: *</p>
pt	<p>3 600 H8A 0.. : 2000/14/CE: Nível de potência acústica medido 94 dB(A), nível de potência acústica garantido 96 dB(A)</p> <p>3 600 H8A 1.. : 2000/14/CE: Nível de potência acústica medido 94 dB(A), nível de potência acústica garantido 96 dB(A)</p> <p>Processo de avaliação da conformidade de acordo com o anexo V. Categoria de produto: 49</p> <p>Documentação técnica pertencente à: *</p>
it	<p>3 600 H8A 0.. : 2000/14/CE: livello di potenza sonora misurato 94 dB(A), livello di potenza sonora garantito 96 dB(A)</p> <p>3 600 H8A 1.. : 2000/14/CE: livello di potenza sonora misurato 94 dB(A), livello di potenza sonora garantito 96 dB(A)</p> <p>Procedimento di valutazione della conformità secondo l'Allegato V. Categoria prodotto: 49</p> <p>Documentazione Tecnica presso: *</p>
nl	<p>3 600 H8A 0.. : 2000/14/EG: gemeten geluidsvermogensniveau 94 dB(A), gegarandeerd geluidsvermogensniveau 96 dB(A)</p> <p>3 600 H8A 1.. : 2000/14/EG: gemeten geluidsvermogensniveau 94 dB(A), gegarandeerd geluidsvermogensniveau 96 dB(A)</p> <p>Beoordelingsmethode van de overeenstemming volgens bijlage V. Productcategorie: 49</p> <p>Technisch dossier bij: *</p>
da	<p>3 600 H8A 0.. : 2000/14/EF: Målt lydeffektniveau 94 dB(A), garanteret lydeffektniveau 96 dB(A)</p> <p>3 600 H8A 1.. : 2000/14/EF: Målt lydeffektniveau 94 dB(A), garanteret lydeffektniveau 96 dB(A)</p> <p>Overensstemmelsesvurderingsprocedure som omhandlet i bilag V. Produktkategori: 49</p> <p>Tekniske bilag ved: *</p>
sv	<p>3 600 H8A 0.. : 2000/14/EG: Uppmått bullernivå 94 dB(A), garanterad bullernivå 96 dB(A)</p> <p>3 600 H8A 1.. : 2000/14/EG: Uppmått bullernivå 94 dB(A), garanterad bullernivå 96 dB(A)</p> <p>Konformitetens bedömningsmetod enligt bilaga V. Produktkategori: 49</p> <p>Teknisk dokumentation: *</p>
no	<p>3 600 H8A 0.. : 2000/14/EC: Målt lydeffektnivå 94 dB(A), garantert lydeffektnivå 96 dB(A)</p>

	<p>3 600 H8A 1.. : 2000/14/EC: Målt lydeffektivnivå 94 dB(A), garantert lydeffektivnivå 96 dB(A)</p> <p>Samsvarsvurderingsmetode i henhold til vedlegg V. Produktkategori: 49</p> <p>Teknisk dokumentasjon hos: *</p>
fi	<p>3 600 H8A 0.. : 2000/14/EY: mitattu äänitehotaso 94 dB(A), taattu äänitehotaso 96 dB(A)</p> <p>3 600 H8A 1.. : 2000/14/EY: mitattu äänitehotaso 94 dB(A), taattu äänitehotaso 96 dB(A)</p> <p>Vaatimustenmukaisuuden arviointimenetelmä liitteen V mukaisesti. Tuotekategoria: 49</p> <p>Tekniset asiakirjat saatavana: *</p>
el	<p>3 600 H8A 0.. : 2000/14/EK: Μετρημένη στάθμη ηχητικής ισχύος 94 dB(A), εγγυημένη στάθμη ηχητικής ισχύος 96 dB(A).</p> <p>3 600 H8A 1.. : 2000/14/EK: Μετρημένη στάθμη ηχητικής ισχύος 94 dB(A), εγγυημένη στάθμη ηχητικής ισχύος 96 dB(A).</p> <p>Διαδικασία αξιολόγησης της πιστότητας σύμφωνα με το παράρτημα V. Κατηγορία προϊόντος: 49</p> <p>Τεχνικά έγγραφα στη:</p>
tr	<p>3 600 H8A 0.. : 2000/14/EC: Ölçülen ses gücü seviyesi 94 dB(A), garanti edilen ses gücü seviyesi 96 dB(A)</p> <p>3 600 H8A 1.. : 2000/14/EC: Ölçülen ses gücü seviyesi 94 dB(A), garanti edilen ses gücü seviyesi 96 dB(A)</p> <p>Uygunluk değerlendirme yöntemi ek V uyarınca. Ürün kategorisi: 49</p> <p>Teknik belgelerin bulunduğu yer:</p>
pl	<p>3 600 H8A 0.. : 2000/14/WE: pomierzony poziom mocy akustycznej 94 dB(A), gwarantowany poziom mocy akustycznej 96 dB(A)</p> <p>3 600 H8A 1.. : 2000/14/WE: pomierzony poziom mocy akustycznej 94 dB(A), gwarantowany poziom mocy akustycznej 96 dB(A)</p> <p>Procedura oceny zgodności zgodnie z załącznikiem V. Kategoria produktów: 49</p> <p>Dokumentacja techniczna: *</p>
cs	<p>3 600 H8A 0.. : 2000/14/ES: změřená hladina akustického výkonu 94 dB(A), zaručená hladina akustického výkonu 96 dB(A)</p> <p>3 600 H8A 1.. : 2000/14/ES: změřená hladina akustického výkonu 94 dB(A), zaručená hladina akustického výkonu 96 dB(A)</p> <p>Metoda posouzení shody podle dodatku V. Kategorie výrobku: 49</p> <p>Technické podklady u: *</p>
sk	<p>3 600 H8A 0.. : 2000/14/ES: odmeraná hladina akustického výkonu 94 dB(A), zaručená hladina akustického výkonu 96 dB(A)</p> <p>3 600 H8A 1.. : 2000/14/ES: odmeraná hladina akustického výkonu 94 dB(A), zaručená hladina akustického výkonu 96 dB(A)</p> <p>Metóda posúdenia zhody podľa dodatku V. Kategória výrobku: 49</p> <p>Technické podklady má spoločnosť: *</p>
hu	<p>3 600 H8A 0.. : 2000/14/EK: Mért hangteljesítmény-szint 94 dB(A), garantált hangteljesítmény-szint 96 dB(A)</p> <p>3 600 H8A 1.. : 2000/14/EK: Mért hangteljesítmény-szint 94 dB(A), garantált hangteljesítmény-szint 96 dB(A)</p> <p>A konformitás kiértékelési eljárás lásd a V Függelékben. Termékkategória: 49</p> <p>Műszaki dokumentumok megőrzési pontja: *</p>
ru	<p>3 600 H8A 0.. : 2000/14/EC: Измеренный уровень звуковой мощности 94 дБ(А), гарантированный уровень звуковой мощности 96 дБ(А)</p> <p>3 600 H8A 1.. : 2000/14/EC: Измеренный уровень звуковой мощности 94 дБ(А), гарантированный уровень звуковой мощности 96 дБ(А)</p> <p>Процедура оценки соответствия согласно приложению V. Категория продукта: 49</p> <p>Техническая документация хранится у: *</p>
uk	<p>3 600 H8A 0.. : 2000/14/EC: виміряна звукова потужність 94 дБ(А), гарантована звукова потужність 96 дБ(А)</p> <p>3 600 H8A 1.. : 2000/14/EC: виміряна звукова потужність 94 дБ(А), гарантована звукова потужність 96 дБ(А)</p>

	Процедура оцінки відповідності відповідно до додатку V . Категорія продукту: 49 Технічна документація зберігається у: *
kk	3 600 H8A 0.. : 2000/14/EC: Өлшелген дыбыс қаттылығы 94 дБ(A), кепілденген дыбыс қаттылығы 96 дБ(A) 3 600 H8A 1.. : 2000/14/EC: Өлшелген дыбыс қаттылығы 94 дБ(A), кепілденген дыбыс қаттылығы 96 дБ(A) Сәйкестікті анықтау әдісі V тіркелгісі бойынша. Өнім санаты: 49 Техникалық құжаттар: *
ro	3 600 H8A 0.. : 2000/14/CE: Nivel măsurat al puterii sonore 94 dB(A), nivel garantat al puterii sonore 96 dB(A) 3 600 H8A 1.. : 2000/14/CE: Nivel măsurat al puterii sonore 94 dB(A), nivel garantat al puterii sonore 96 dB(A) Procedură de evaluare a conformității potrivit Anexei V . Categorie produse: 49 Documentație tehnică la: *
bg	3 600 H8A 0.. : 2000/14/EO: измерено ниво на звуковата мощност 94 dB(A), гарантирано ниво на мощността на звука 96 dB(A) 3 600 H8A 1.. : 2000/14/EO: измерено ниво на звуковата мощност 94 dB(A), гарантирано ниво на мощността на звука 96 dB(A) Метод за оценка на съответствието съгласно приложение V . Категория продукт: 49 Техническа документация при: *
mk	3 600 H8A 0.. : 2000/14/EC: Измерено ниво на звучна јачина 94 dB(A), загарантирано ниво на звучна јачина 96 dB(A) 3 600 H8A 1.. : 2000/14/EC: Измерено ниво на звучна јачина 94 dB(A), загарантирано ниво на звучна јачина 96 dB(A) Постапка за процена на сообразноста според прилог V . Категорија на производ: 49 Техничка документација кај: *
sr	3 600 H8A 0.. : 2000/14/EC: izmereni nivo ostvarene buke 94 dB(A), garantovani nivo ostvarene buke 96 dB(A) 3 600 H8A 1.. : 2000/14/EC: izmereni nivo ostvarene buke 94 dB(A), garantovani nivo ostvarene buke 96 dB(A) Postupak ocenjivanja usaglašenosti prema prilogu V . Kategorija proizvoda: 49 Техничка документација код: *
sl	3 600 H8A 0.. : 2000/14/ES: Izmerjena raven zvočne moči 94 dB(A), zagotovljena raven zvočne moči 96 dB(A) 3 600 H8A 1.. : 2000/14/ES: Izmerjena raven zvočne moči 94 dB(A), zagotovljena raven zvočne moči 96 dB(A) Postopek za presojo skladnosti v skladu s prilogu V . Kategorija izdelka: 49 Технична документација при: *
hr	3 600 H8A 0.. : 2000/14/EZ: Izmjerena razina učinka buke 94 dB(A), zajamčena razina učinka buke 96 dB(A) 3 600 H8A 1.. : 2000/14/EZ: Izmjerena razina učinka buke 94 dB(A), zajamčena razina učinka buke 96 dB(A) Postupak ocjenjivanja sukladnosti prema dodatku V . Kategorija proizvoda: 49 Техничка документација се може добити код: *
et	3 600 H8A 0.. : 2000/14/EÜ: Mõõdetud helivõimsustase 94 dB(A), garanteeritud helivõimsustase 96 dB(A) 3 600 H8A 1.. : 2000/14/EÜ: Mõõdetud helivõimsustase 94 dB(A), garanteeritud helivõimsustase 96 dB(A) Vastavuse hindamise meetod vastavalt lisale V . Tootekategooria: 49 Технилісед документиді саадавал: *
lv	3 600 H8A 0.. : 2000/14/EK: izmērītais trokšņa jaudas līmenis ir 94 dB(A), garantētais trokšņa jaudas līmenis ir 96 dB(A) 3 600 H8A 1.. : 2000/14/EK: izmērītais trokšņa jaudas līmenis ir 94 dB(A), garantētais trokšņa jaudas līmenis ir 96 dB(A) Atbilstības novērtēšana ir veikta saskaņā ar pielikumu V . Izstrādājuma kategorija: 49 Техніскā документācija no: *
lt	3 600 H8A 0.. : 2000/14/EB: išmatuotas garso galios lygis 94 dB(A), garantuotas garso galios lygis 96 dB(A) 3 600 H8A 1.. : 2000/14/EB: išmatuotas garso galios lygis 94 dB(A), garantuotas garso galios lygis 96 dB(A)


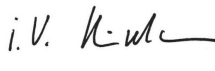
Atitikties vertinimas atliktas pagal priedą V. Gaminio kategorija: **49**
Techninė dokumentacija saugoma: *



* Robert Bosch Power Tools GmbH, PT/ECS,
70538 Stuttgart, GERMANY

Thomas Donato
Chairman of the
Management Board

Helmut Heinzlmann
Head of Product Certification

 i. V. 

Robert Bosch Power Tools GmbH, 70538 Stuttgart, GERMANY
Stuttgart, **01.09.2023**

Declaration of Conformity

Lawn Raker/Verticutter	Article number
UniversalRake 900	3.600.H8A.071
UniversalVerticut 1100	3.600.H8A.171

We declare under our sole responsibility that the stated products comply with all applicable provisions of the regulations listed below and are in conformity with the following standards.

Technical file at: Robert Bosch Ltd. (PT/SOP-GB), Broadwater Park, North Orbital Road, Uxbridge UB9 5HJ, United Kingdom

The Supply of Machinery (Safety) Regulations 2008
The Electromagnetic Compatibility Regulations 2016
The Restriction of the Use of Certain Hazardous Substances in Electrical and Electronic Equipment Regulations 2012
The Noise Emission in the Environment by Equipment for use Outdoors Regulations 2001
EN 60335-1:2012+A11:2014+A13:2017+A1:2019 +A14:2019+A2:2019+A15:2021
EN 50636-2-92:2014
EN IEC 55014-1:2021
EN IEC 55014-2:2021
EN IEC 61000-3-2:2019+A1:2021
EN 61000-3-3:2013+A1:2019+A2:2021
EN IEC 63000:2018

The Noise Emission in the Environment by Equipment for use Outdoors Regulations 2001:
3.600.H8A.071: Measured sound power level **94** dB(A), guaranteed sound power level **96** dB(A)
3.600.H8A.171: Measured sound power level **94** dB(A), guaranteed sound power level **96** dB(A)
Conformity assessment procedure in accordance with schedule **8**. Product category: **49**



Vonjy Rajakoba
Managing Director - Bosch UK

Robert Bosch Power Tools GmbH, 70538 Stuttgart, Germany
represented (in terms of the above regulations) by
Robert Bosch Limited, Broadwater Park, North Orbital Road,
Uxbridge UB9 5HJ, United Kingdom

Martin Sibley
Head of Sales Operations and Aftersales

Robert Bosch Ltd. Broadwater Park, North Orbital Road, Uxbridge UB9 5HJ, United Kingdom, as authorised representative acting on behalf of Robert Bosch Power Tools GmbH, 70538 Stuttgart, Germany

Place of issue: Uxbridge

Date of issue: 01/09/2023