



CityMower 18V-32-300

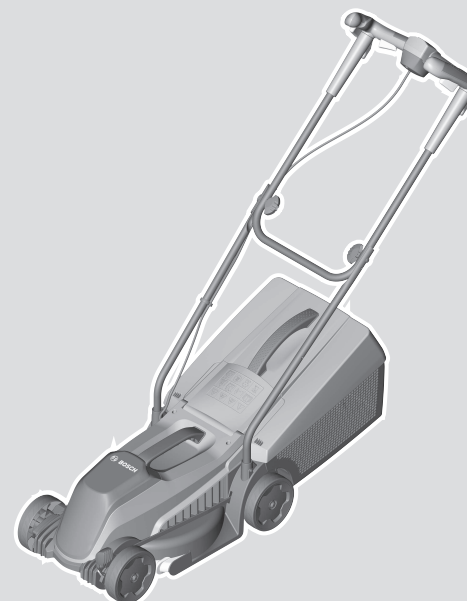
Robert Bosch Power Tools GmbH
70538 Stuttgart
GERMANY

www.bosch-pt.com

F 016 L94 621 (2023.06) 0 / 33



F 016 L94 621



en Original instructions
ar دليل التشغيل الأصلي
fa دفترچه راهنمای اصلی



English Page 3
عربي الصفحة 10
فارسی صفحه 17

CE / UK CA 2/2

English

Safety Notes

Warning! Read all safety warnings and all instructions. Make yourself familiar with the controls and the proper use of the product. Please keep the instructions safe for later use!

Explanation of symbols on the garden tool, charger and battery



General hazard safety alert.



Read instruction manual.



Make sure that bystanders are not injured by foreign objects being thrown away.



Warning: Keep a safe distance to the product when operating.



Caution: Do not touch rotating blades. Sharp blade(s). Beware of severing toes or fingers.



Switch off and remove isolator switch before adjusting, cleaning and before leaving the product unattended for any period.



Not applicable.



Wait until all machine components have completely stopped before touching them. The blades continue to rotate after the machine is switched off, a rotating blade can cause injury.



Do not use the product in the rain or leave it outdoors when it is raining.



Beware electric shock hazard.



Not applicable.



Only use the battery charger indoors.



Battery charger contains a safety transformer.



Do not use a high-pressure washer or a garden hose to clean the machine.



Carefully check the area where the tool is to be used for wildlife and pets. Wildlife and pets may be injured while the machine is in operation. Thoroughly check the working area and remove any stones, sticks, wires, bones and foreign objects. When using the machine, ensure that no wildlife, pets or small tree stumps are hidden in the dense grass.

Operation

- ▶ Never allow children or people unfamiliar with these instructions to use the product. Local regulations may restrict the age of the operator. When not in use store the product out of reach of children.
 - ▶ Never allow children, persons with physical, sensory or mental limitations or a lack of experience and/or knowledge and/or people unfamiliar with these instructions to use the machine.
 - ▶ Children should be supervised to ensure that they do not play with the product.
 - ▶ Never work while people, especially children, or pets are nearby.
 - ▶ The user is responsible for accidents or hazards occurring to other people or their property.
 - ▶ Do not wear open rubber shoes or sandals when using the product. Always wear sturdy shoes and long trousers. Do not use barefoot.
 - ▶ Thoroughly inspect the area where the machine is to be used and remove all stones, sticks, wires, bones and other foreign objects.
 - ▶ Before using, always visually inspect to see that the blades, blade bolts and cutter assembly are not worn or damaged. Replace worn or damaged blades and bolts in sets to preserve balance.
 - ▶ Mow only in daylight or in good artificial light.
 - ▶ Avoid mowing in bad weather conditions especially when there is a risk of lightning.
 - ▶ Avoid operating the machine in wet grass, where feasible.
 - ▶ Walk, never run.
 - ▶ Never operate the machine with defective guards or shields, or without safety devices, for example deflectors and/or grass catchers in place.
 - ▶ We would advise you to wear ear protection for your own convenience.
 - ▶ Never operate the product when you are tired, ill or under the influence of alcohol, drugs or medicine.
- Working on banks can be dangerous:
- Do not mow on excessively steep slopes.
 - Always be sure of your footing on slopes or wet grass.

- Mow across the face of slopes never up and down.
- Exercise extreme caution when changing direction on slopes.
- ▶ Use extreme caution when stepping back or pulling the machine towards you.
- ▶ Never mow by pulling the mower towards you.
- ▶ Wait until the blades stop if the machine has to be tilted for transportation when crossing surfaces other than grass and when transporting the machine to and from the area to be mowed.
- ▶ Do not tilt the machine when starting or switching on the motor.
- ▶ Switch on the motor according to the instructions with feet well away from rotating parts.
- ▶ Do not put hands or feet near or under rotating parts.
- ▶ Always stand clear of the discharge zone when operating the machine.
- ▶ Never pick up or carry the machine while the motor is running.
- ▶ When storing, make sure that all 4 wheels of the garden tool stand on the ground/floor.
- ▶ Only lift the garden tool with the carrying handle. Use the carrying handle with care.
- ▶ **Do not modify the product.** Unauthorized modifications may impair the safety of your product and may result in increased noise and vibration.

Remove the isolator switch:

- Whenever you leave the machine.
- Before clearing a blockage.
- Before checking, cleaning or working on the machine.
- After striking a foreign object. Inspect the machine for damage and change the blade as necessary.
- If the machine starts to vibrate abnormally (check immediately).

Maintenance

- ▶ **Always wear gardening gloves when handling or working near the sharp blades.**
- ▶ Keep all nuts, bolts and screws tight to ensure safe working with the product.
- ▶ Check the grass bag frequently for wear or deterioration.
- ▶ Check the grass catcher frequently for wear or deterioration.
- ▶ Inspect the product and replace worn or damaged parts for safety.
- ▶ Ensure replacement cutting means of the right type are used.
- ▶ Ensure replacement parts fitted are Bosch-approved.
- ▶ Before storing, make sure that the product is clean and free of residue. If necessary, clean with a soft dry brush.

Safety Instructions and Recommendations for Optimal Handling of the Battery

- ▶ **Ensure the product is switched off and the isolator key is in the off position before the inserting the battery.** Inserting the battery into a product that has the switch on can cause accidents.
- ▶ **Use only Bosch batteries intended specifically for this product.** Use of any other batteries may create a risk of injury and fire.
- ▶ **Do not open the battery.** There is a risk of short-circuiting.



Protect the battery against heat (e.g., against continuous intense sunlight), fire, water, and moisture. There is a risk of explosion.



- ▶ **When not using the machine, keep the battery not in use away from paper clips, coins, keys, nails, screws, or other small metal objects that could cause bridging of the terminals.** Shorting the battery terminals together may cause burns or a fire.
- ▶ **In case of damage and improper use of the battery pack, vapours may be emitted.** Ventilate the area and seek medical help in case of complaints. The vapours can irritate the respiratory system.
- ▶ **Only use the battery with products from the manufacturer.** This is the only way in which you can protect the battery against dangerous overload.
- ▶ **The battery can be damaged by pointed objects such as nails or screwdrivers or by force applied externally.** An internal short circuit may occur, causing the battery to burn, smoke, explode or overheat.
- ▶ **Do not short-circuit the battery.** There is a risk of explosion.
- ▶ Protect the battery against moisture and water.
- ▶ Store the product and battery only within a temperature range between -20°C and 50°C . As an example, do not leave the battery in the car in summer.
- ▶ Occasionally clean the venting slots of the battery using a soft, clean and dry brush.

Safety Warnings for Battery Chargers



Read all safety warnings and all instructions. Failure to follow the safety warnings and instructions may result in electric shock, fire and/or serious injury.

Save all safety warnings and instructions for future reference.

Use the battery charger only when you fully understand and can perform all functions without limitation, or have received appropriate instructions.

- ▶ Never allow children, persons with physical, sensory or mental limitations or a lack of experience and/or knowledge and/or people unfamiliar with these instructions to use the battery charger. Local regulations may restrict the age of the operator.
- ▶ Supervise children at all times. This will ensure that children do not play with the charger.
- ▶ Charge only Bosch lithium-ion batteries with a capacity above **4.0 Ah (10 battery cells or more)**. The battery voltage must match the battery charging voltage of the charger. Do not charge non-rechargeable batteries. Otherwise there is a danger of fire and explosion.



Keep the battery charger away from rain or moisture. Penetration of water in the battery charger increases the risk of an electric shock.

- ▶ **Keep the charger clean.** Dirt poses a risk of electric shock.
- ▶ **Always check the charge, including the cable and plug, before use. Stop using the charger if you discover any damage. Do not open the charger yourself, and have it repaired only by or by an authorised after-sales service centre using only original replacement parts.** Damaged chargers, cables and plugs increase the risk of electric shock.
- ▶ **Do not operate the charger on an easily ignited surface (e.g. paper, textiles, etc.) or in a flammable environment.**

onment. There is a risk of fire due to the charger heating up during operation.

- ▶ **Do not cover the ventilation slots of the battery charger.** Otherwise, the battery charger can overheat and no longer operate properly.
- ▶ For increased electrical safety, we recommend using a residual current device with a max. tripping current of 30 mA. Before using, always check your residual current device.

Product Description and Specifications



Read all safety warnings and all instructions. Failure to follow the safety warnings and instructions may result in electric shock, fire and/or serious injury.

Please observe the illustrations at the end of this operating manual.

Intended Use

The garden product is intended for domestic lawn mowing. The garden product is not intended for hedge cutting, trimming, shredding, etc.

The garden product is intended for lawn mowing at ground level.

Technical Data

Lawnmower	CityMower 18V-32-300	
Article number		3 600 HB9 A..
Rated voltage	V	18
Bowl diameter	cm	34
Height of cut	mm	30 – 60
Capacity, grass bag	l	31
Weight according to EPTA-Procedure 01:2014 ^{A)}	kg	9.4 / 9.5
Serial number		see type plate on garden tool
Recommended ambient temperature during charging	°C	0 ... +35
Permitted ambient temperature during operation and storage	°C	-20 ... +50
Battery type		PBA 18V...W- 4.0 Ah, 5.0 Ah, 6.0 Ah

A) Depends on battery in use

All values in this manual are measured for usage below or equal to 2000 meters above nominal sea level.

Charger		AL 1810 CV	AL 1815 CV	AL 1830 CV	AL 1880 CV
Charging current	A	1.0	1.5	3.0	8.0
Charging period (battery discharged)					
– Battery with 4.0 Ah	min	240	168	95	35
– Battery with 5.0 Ah	min	275	193	104	46

Charger		AL 1810 CV	AL 1815 CV	AL 1830 CV	AL 1880 CV
- Battery with 6.0 Ah	min	364	260	130	62
Weight according to EPTA-Procedure 01:2014	kg	0.17	0.38	0.40	0.60
Protection class		□/II	□/II	□/II	□/II

Noise/Vibration Information

3 600 HB9 A..

Typically the A-weighted noise levels of the product are:

Noise emission values determined according to **EN 60335-2-77**.

- Sound pressure level		dB(A)	75
- Sound power level		dB(A)	84
- Uncertainty K		dB	= 1.0

Vibration total values ah (triax vector sum) and uncertainty K determined according to **EN 60335-2-77**

- Vibration emission value a_h		m/s^2	< 2,5
- Uncertainty K		m/s^2	= 1.5

Mounting and Operation

Action	Figure	Page
Delivery scope ^{A)}	A	24
Mounting the handle	B	25
Snap together the Grassbox	C	26
Grassbox fitting/removing	D	26
Setting the height of cut	E	27
Inserting the battery	F	27
Operation	G - I	28 -
- Inserting the isolator switch		30
- Switching on		
- Mowing		
- Switching off		
- Removing the isolator switch		
Removing the battery	J	31
Working advice "mowing"	K	31
Blade maintenance/Blade replacement	L	32
Selecting accessories	M	33

A) **Accessories shown or described are not included with the product as standard. You can find the complete selection of accessories in our accessories range.**

- ▶ **The blade continues to rotate for a few seconds after the machine is switched off.**
- ▶ **Caution: Do not touch the rotating blade.**
- ▶ **Use only the chargers listed in the technical data.** Only these chargers are matched to the lithium-ion batteries of your product.

Charging the Battery

The battery is equipped with temperature monitoring that allows charging only in the temperature range between 0 °C and 35 °C. In this manner, a high battery service life is achieved.

Note: The battery is supplied partially charged. To ensure full battery capacity, completely charge the battery in the battery charger before using for the first time.

The lithium-ion battery can be charged at any time without reducing its service life. Interrupting the charging procedure does not cause damage to the battery.

The "Electronic Cell Protection (ECP)" protects the lithium-ion battery against deep discharging. When the battery is empty, the product is switched off by means of a protective circuit. The product no longer operates.

Do not continue to press the On/Off switch after an automatic shut-off of the product. The battery could become damaged.

Observe the notes for disposal of the battery.

Inserting/Removing the Battery

Note: Using unsuitable batteries can lead to malfunctions or damage the machine.

Insert the charged battery. Make sure that the battery is fully fitted.

Starting Operation

For Your Safety

- ▶ **Warning! Switch off, remove the isolator switch and the battery before adjusting or cleaning. The same applies when the cable to the switch in the handle is damaged, cut or entangled.**

To remove the battery from the machine, press the battery unlocking button and pull the battery out.

Charging Procedure

The charging procedure starts as soon as the mains plug of the charger is plugged into a socket outlet and the battery is inserted onto the charger.

Due to the intelligent charging method, the charging condition of the battery is automatically detected and the battery is charged with the optimum charging current, depending on battery temperature and voltage.

This gives longer life to the battery and always leaves it fully charged when kept in the charger for storage.

Meaning of the Indication Elements (AL 1810)

Flashing battery charge indicator



The charging process is indicated by the **flashing** of the battery charge indicator.

Solid light on battery charge indicator



A **solid light** on the battery charge indicator signals that the battery is fully charged or that the temperature of the battery is not within the permitted charging temperature range, and can therefore not be charged. The battery is charged as soon as the allowable charging temperature range is reached.

When the battery is not inserted, a **solid light** on the battery charge indicator signals that the mains plug is inserted in the plug socket and that the charger is ready for operation.

Understanding the Indicators (AL 1815 CV)

Flashing battery charge indicator



The charging process is indicated by the **flashing** of the battery charge indicator.

Continuous lighting of the battery charge indicator



Continuous lighting of the battery charge indicator indicates that the battery is fully charged or that the temperature of the battery is not within the allowable charging temperature range, and cannot be charged for this reason. The battery is charged as soon as the allowable charging temperature range is reached.

When the battery is not inserted, **continuous lighting** of the battery charge indicator indicates that the mains plug is inserted in the socket outlet and that the battery charger is ready for operation.

Meaning of the Indication Elements (AL 1830 CV/AL 1880 CV)

(Fast) Flashing of the Green Battery Charge Indicator



The rapid-charging procedure is indicated by **fast flashing** of the **green** battery charge indicator.

Note: The rapid-charging procedure is only possible when the battery temperature is within the allowable charging temperature range, see section "Technical Data".

(Slow) Flashing of the Green Battery Charge Indicator



When the charging condition of the battery is 80%, the **green** battery charge indicator **flashes slowly**.

The battery can be removed for immediate use.

Continuous Lighting of the Green Battery Charge Indicator



Continuous lighting of the **green** battery charge indicator indicates that the battery is fully charged.

When the battery is not inserted, **continuous lighting** of the battery charge indicator indicates that the mains plug is inserted in the socket outlet and that the battery charger is ready for operation.

Continuous Lighting of the Red Battery Charge Indicator



Continuous lighting of the **red** battery charge indicator indicates that the temperature of the battery is not within the allowable charging temperature range, see section "Technical Data". As soon as the allowable charging temperature range is reached, the battery charger automatically switches to rapid charging.

Flashing Red Battery Charge Indicator



A **flashing red** battery charge indicator indicates a different malfunction of the charging procedure, see section "Troubleshooting – Causes and Corrective Measures".

Working Advice

Cutting Capacity (Battery Operating Duration)

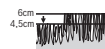
The cutting capacity (battery operating duration) depends on lawn properties, such as grass density, moisture content, grass length and height of cut.

Switching the machine on and off frequently during cutting will also reduce the cutting capacity (battery operating duration).

To improve the cutting capacity (battery operating duration), it is recommended to cut more frequently, increase the cutting height and walk at an appropriate pace.

The example below shows the connection between cutting height and cutting capacity with regard to three batteries.

Cutting Conditions



Very thin, dry grass

Cutting capacity	
Battery with 4.0 Ah	up to 200 m ²
Battery with 5.0 Ah	up to 250 m ²
Battery with 6.0 Ah	up to 300 m ²

To increase the run time an additional battery can be purchased from an authorised customer service agent for Bosch garden products.

Troubleshooting



Problem	Possible Cause	Corrective Action
Motor refuses to start	Internal wiring of garden tool defective	Contact Bosch customer service agent
	Battery discharged	Recharge battery
	Battery too hot/cold	Allow to cool/warm
	Grass too long	Max. allowed grass height 15 cm on highest height-of-cut setting
	Motor protector has activated	Allow motor to cool and increase height of cut
	Isolator key not inserted correctly/fully	Fit correctly
Garden tool functions intermittently	Internal wiring of garden tool defective	Contact Bosch customer service agent
	Motor protector has activated	Allow motor to cool and increase height of cut
Machine leaves ragged finish and/or Motor labours	Height of cut too low	Increase height of cut
	Cutting blade blunt	Replace cutting blade (see figure L).
	Possible clogging	Switch garden tool off and disengage isolator key
		Check underneath the garden product and clear out as necessary (always wear protective gloves)
	Blade fitted upside down	Refit blade correctly
Blade not rotating while garden product switched on	Cutting blade obstructed	Switch garden tool off and disengage isolator key
		Clear obstruction (always wear protective gloves)
	Blade nut/bolt loose	Tighten blade nut/bolt (17 Nm)
Excessive vibrations/noise	Blade nut/bolt loose	Tighten blade nut/bolt (17 Nm)
	Cutting blade damaged	Replace cutting blade (see figure L).

Maintenance and Service

Maintenance, Cleaning and Storage

- **Before any work on the garden product itself (e. g. maintenance, tool change, etc.) as well as during transport and storage, remove the battery from the garden product.** There is danger of injury when unintentionally actuating the On/Off switch.
- **For safe and proper working, always keep the product clean.**

Battery Maintenance

Use the following procedures to enable optimum usage of the battery:

- Protect the battery against moisture and water.
- Store the machine and battery only within a temperature range between –20 °C and 50 °C. As an example, do not leave the battery in the car in summer.
- The battery must not be stored within the product but stored separately.

- Do not leave the battery in the product in direct sunlight.
- The ideal storage condition for the battery is 5 °C.
- Occasionally clean the venting slots of the battery using a soft, clean and dry brush.

A significantly reduced working period after charging indicates that the battery is used and must be replaced.

After-Sales Service and Application Service

Our after-sales service responds to your questions concerning maintenance and repair of your product as well as spare parts. You can find explosion drawings and information on spare parts at: www.bosch-pt.com

The Bosch product use advice team will be happy to help you with any questions about our products and their accessories.

In all correspondence and spare parts orders, please always include the 10-digit article number given on the nameplate of the product.

Great Britain

Robert Bosch Ltd. (B.S.C.)

P.O. Box 98

Broadwater Park

North Orbital Road

Denham Uxbridge

UB 9 5HJ

At www.bosch-pt.co.uk you can order spare parts or arrange the collection of a product in need of servicing or repair.

Tel. Service: (0344) 7360109

E-Mail: boschservicecentre@bosch.com

You can find further service addresses at:

www.bosch-pt.com/serviceaddresses

Only for United Kingdom:

According to The Waste Electrical and Electronic Equipment Regulations 2013 (SI 2013/3113) (as amended) and the Waste Batteries and Accumulators Regulations 2009 (SI 2009/890) (as amended), products that are no longer usable must be collected separately and disposed of in an environmentally friendly manner.

Transport

The recommended lithium-ion batteries are subject to legislation on the transport of dangerous goods. The user can transport the batteries by road without further requirements.

When shipping by third parties (e.g.: by air transport or forwarding agency), special requirements on packaging and labelling must be observed. For preparation of the item being shipped, consulting an expert for hazardous material is required.

Dispatch battery packs only when the housing is undamaged. Tape or mask off open contacts and pack up the battery in such a manner that it cannot move around in the packaging. Please also observe the possibility of more detailed national regulations.

Disposal

Products, rechargeable batteries, accessories and packaging are to be recycled in an environmentally friendly manner.



Do not dispose of rechargeable batteries/batteries into household waste!

Only for EU countries:

According to European Directive 2012/19/EU on Waste Electrical and Electronic Equipment and its implementation into national law, power tools that are no longer usable must be collected separately and disposed must be collected separately and be disposed of in an environmentally friendly manner. According to European Directive 2006/66/EG rechargeable batteries that are defect or no longer usable must be collected separately and disposed of in an environmentally friendly manner.

If disposed incorrectly, waste electrical and electronic equipment may have harmful effects on the environment and human health, due to the potential presence of hazardous substances.

Rechargeable batteries/batteries:**Li-Ion:**

Please refer to the notice in section Transport (see "Transport", page 9).

استخدم جهاز الشحن في الغرف الجافة فقط.



لقد تم تجهيز جهاز الشحن بمحول أمان.



لا تستخدم منطف الضغط العالي أو خرطوم الحديقة من أجل تنظيف جهاز الحديقة.



افحص المجال الذي تريد استخدام جهاز الحديقة فيه جيداً للتأكد من عدم وجود الحيوانات المتوحشة والمتوحشة فيه. وجود احتمال جرح الحيوانات المتوحشة والمنزلية أثناء تشغيل الجهاز. افحص مجال استخدام الجهاز جيداً وقم بإزالة جميع الأحجار وعيدان الخشب والأسلاك والعظام والأجسام الغريبة. عند استخدام الجهاز، تأكد من عدم وجود الحيوانات المتوحشة والمنزلية وجدوع الأشجار الصغيرة في العشب الكثيف.



التشغيل

- ◀ لا تسمح للأطفال أو للأشخاص الغير مطلعين على هذه التعليمات أبداً أن يستعملوا جهاز الحديقة. يجوز أن تحد الأحكام الوطنية من سن المستخدم. احتفظ بجهاز الحديقة بعيداً عن متناول الأطفال عندما لا يتم استخدامه.
- ◀ لا تسمح للأطفال أو للأشخاص ذوي المقدرات الجسدية أو المسية أو العقلية المحدودة أو القليلي الخبرة و/أو المعدومي المعرفة و/أو للأشخاص الغير مطلعين على التعليمات هذه أبداً أن يستعملوا جهاز الحديقة.
- ◀ ينبغي مراقبة الأطفال لضمان عدم لعبهم بالجهاز.
- ◀ لا تستخدم جهاز الحديقة أبداً إن تواجد الأشخاص الآخرين ولا سيما الأطفال أو الحيوانات المنزلية على مقربة مباشرة.
- ◀ إن المستخدم أو المستعمل هو الذي يحمل مسؤولية الحوادث أو الإصابات التي تصيب الأشخاص الآخرين أو ممتلكاتهم.
- ◀ لا ترتد أحذية مطاوية مفتوحة أو صنادل عندما تستخدم الجهاز. ارتد أحذية متينة وبنطال طويل دائماً. لا تستخدم الجهاز أبداً وأنت حافي القدمين.
- ◀ افحص السطح المرغوب معالجته بإمعان وأزل الحجارة والعصي والأسلاك المعدنية والعظام وغيرها من الأشياء الغريبة.
- ◀ افحص قبل الاستخدام دائماً إن كانت السكاكين ولوالب السكاكين ومجموعات القص مستهلكة أو تالفة. استبدل دائماً كامل طقم السكاكين وأيضاً طقم لوالب السكاكين المستهلكة أو التالفة بشكل كامل لتجنب إخلال التوازن.
- ◀ قص الأعشاب فقط أثناء ضوء النهار أو الأضواء الاصطناعية الجيدة.
- ◀ لا تعمل بواسطة جزازة العشب عندما تكون الظروف المناخية رديئة ولاسيما عند بدء العواصف.

عربي

ملاحظات الأمان

تنبيه! اقرأ التعليمات التالية بإمعان. تمرّس على استخدام عناصر الاستخدام وعلى الاستعمال المخصص للجهاز. يرجى الاحتفاظ بتعليمات التشغيل هذه بمكان آمن للرجوع إليها في المستقبل.

شرح الرموز على جهاز الحديقة وجهاز الشحن والمركم

ملاحظة خطر عامة.



اقرأ تعليمات التشغيل هذه.



احرص على عدم إصابة الأشخاص المتواجدين بالجوار بسبب الأجسام الخارجية المتطايرة.



تذير: حافظ على مسافة آمنة تبعدك عن الجهاز عند التشغيل.



احترس: لا تلمس السكاكين الدوارة. احترس من فقدان أصابع القدم واليد.



اطفئ جهاز الحديقة وحل قاطع التيار الكهربائي قبل تنفيذ أعمال الضبط أو التنظيف أو إن كنت ستترك جهاز الحديقة دون مراقبة حتى لو كان ذلك لوقت قصير فقط.



غير صحيح.



انتظر إلى أن تتوقف جميع أجزاء جهاز الحديقة عن الحركة بشكل كامل قبل أن تلمسها. تتابع السكاكين دورانها بعد إطفاء جهاز الحديقة وقد تحدث إلى الإصابات.



لا تستعمل الجهاز أثناء هطول الأمطار ولا تعرضه للمطر.



اتقي من الصدمات الكهربائية.



غير صحيح.



- إن بدأ جهاز الحديقة بالاهتزاز بشكل غريب (افحصه فوراً).

الصيانة

- ◀ ارتد قفازات المدائق دائماً، عند إجراء الأعمال أو التعديلات في مجال السكاكين.
- ◀ تأكد من ثبات جميع الصواميل والمسامير واللوازم لضمان سلامة وأمان العمل بالجهاز.
- ◀ افحص مدى تلف واستهلاك كيس جمع الأعشاب بانتظام.
- ◀ افحص مدى تلف واستهلاك سلة جمع الأعشاب بانتظام.
- ◀ افحص الجهاز واستبدل القطع المستهلكة أو التالفة على سبيل الاحتياط.
- ◀ استخدم فقط سكاكين القص المخصصة لجهاز الحديقة هذا دون غيره.
- ◀ احرص على كون الأجزاء المستبدلة صنع بوش.
- ◀ تأكد قبل التخزين بأن الجهاز نظيفاً وخالياً من المخلفات. نظفه بواسطة فرشاة طرية وجافة إن تطلب الأمر ذلك.

ملاحظات الأمان وملاحظات لمعاملة المرمك بشكل مثالي

- ◀ تأكد بأن يكون جهاز الحديقة مطفأً وقاطع التيار الكهربائي مفصلاً قبل تركيب المرمك. إن تركيب المرمك بجهاز الحديقة قيد التشغيل قد يؤدي إلى حدوث الحوادث.
- ◀ استخدم فقط مراكم بوش المخصصة لجهاز الحديقة هذا. إن استخدام غيرها من المراكم قد يؤدي إلى الإصابات وإلى مخاطر الحرائق.
- ◀ لا تفتح المرمك. يتشكل خطر تقصير الدائرة الكهربائية.

احم المرمك من الحرارة، بما فيه أيضاً التعرض لأشعة الشمس باستمرار مثلاً ومن النار، والماء والرطوبة. قد يتشكل خطر الانفجار.



- ◀ عند عدم استخدام الجهاز، حافظ على إبعاد المرمك الذي لا يتم استعماله عن مشابك الورق وقطع النخود المعدنية والمفاتيح والمسامير واللوازم أو غيرها من الأغراض المعدنية الصغيرة التي قد تتسبب في توصيل نقاط التلامس ببعضها البعض. قد يؤدي تقصير الدائرة الكهربائية بين ملامسي المرمك إلى حدوث حروق أو إلى اندلاع الحريق.

- ◀ قد تتسرب الأبخرة عند تلف المرمك واستخدامه بطريقة غير سليمة. أمن امداد المكان بالهواء النقي وراجع الطبيب في حال الإصابة. إن الأبخرة قد تهيج المجاري التنفسية.
- ◀ اقتصر على استخدام المرمك في منتجات الجهة الصانعة. يتم حماية المرمك من فرط التخميل الخطير بهذه الطريقة فقط دون غيرها.
- ◀ يمكن أن يتعرض المرمك لأضرار من خلال الأشياء المدببة مثل المسامير والمفكات أو من خلال تأثير القوى الخارجية. وقد يؤدي هذا

- ◀ لا تستعمل جهاز الحديقة قدر الإمكان إن كانت الأعشاب مبتلة.
- ◀ ينبغي المشي بهدوء دائماً، ولا يجوز السير بسرعة أبداً.
- ◀ لا تستخدم جهاز الحديقة أبداً إن كانت تجهيزات الوقاية أو الأعطية تالفة أو بلا تجهيزات الأمان، مثلاً: واقية الصدم و/أو سلة جمع الأعشاب.
- ◀ إننا ننصح بارتداء واقية سمع للوقاية الشخصية.
- ◀ لا تستخدم الجهاز إن كنت مرهقاً أو مريضاً أو إن كنت تحت تأثير الكحول أو المخدرات أو الأدوية.
- ◀ إن مزاوله العمل على المنحدرات قد تكون خطيرة: - لا تقص الأعشاب بالمنحدرات الشديدة الانحدار. - احرص على الوقوف بثبات دائماً على السطوح المنحدرة والأعشاب المبتلة.
- ◀ قص الأعشاب على السطوح المائلة دائماً بشكل عرضي وليس للأعلى والأسفل.
- ◀ احترس بشكل شديد عند تغيير الاتجاه على المنحدرات.
- ◀ احترس بشكل شديد عند السير نحو الخلف أو عند سحب جهاز الحديقة.
- ◀ ادفع جهاز الحديقة أثناء قص الأعشاب دائماً نحو الأمام ولا تسحب أبداً نحو جسمك.
- ◀ يجب أن تكون السكاكين متوقفة عن الحركة عندما تضطر لقلب جهاز الحديقة من أجل نقله أو عندما تعبر السطوح الغير مزروعة بالأعشاب أو عندما تنقل جهاز الحديقة من وإلى المجال المرغوب قص أعشابه.
- ◀ لا تميل جهاز الحديقة عند بدء التشغيل أو عند إدارة المرمك.
- ◀ شغل جهاز الحديقة بالطريقة الموصوفة في تعليمات التشغيل واحرص على إبعاد قدميك بمسافة كافية عن الأجزاء الدوارة.
- ◀ لا تقترب بيدك وبقدميك من الأجزاء الدوارة ولا تضعها تحتها.
- ◀ ابتعد عن مجال القذف عندما تعمل بواسطة جهاز الحديقة.
- ◀ لا ترفع أو تحمل جهاز الحديقة أبداً عندما يدور المرمك.
- ◀ تأكد من استقرار جميع العجلات الاربعة لجهاز الحديقة على الأرض عند التخزين.
- ◀ ارفع جهاز الحديقة فقط بمقبض الحمل. قم بمعاملة المقبض بحذر.
- ◀ لا تقوم بتعديل الجهاز. إن التعديلات الغير مسموحة قد تؤثر سلباً على أمان الجهاز وقد تؤدي إلى زيادة الضجيج والاهتزازات.

حل قاطع التيار الكهربائي

- دائماً عندما تبعد عن جهاز الحديقة.
- قبل إزالة الاستعصاء.
- عندما تفحص أو تنظف جهاز الحديقة أو عند إجراء الأعمال عليه.
- بعد الاصطدام بغرض غريب، افحص جهاز الحديقة فوراً لكشف التلف واستبدل السكينة إن تطلب الأمر ذلك.

- جهاز الشحن من أخطار الصدمات الكهربائية.
- ◀ **حافظ على نظافة جهاز الشحن.** حيث يكون هناك خطر حدوث صدمة كهربائية من جراء تعرضها للاسناخ.
- ◀ **قبل الاستخدام افحص جهاز الشحن والكابل والقياس.** لا تستخدم جهاز الشحن إذا اكتشفت وجود أضرار به. لا تفتح جهاز الشحن بنفسك ولا تقم بإصلاحه إلا لدى أو مراكز خدمة العملاء المعتمدة مع الاقتصار على استخدام قطع الغيار الأصلية. يزداد خطر الإصابة بصدمة كهربائية في حالة وجود أضرار بأجهزة الشحن والكابلات الكهربائية والقوايس.
- ◀ **لا تقم بتشغيل جهاز الشحن على أرضية سهلة الاشتعال (مثل الورق والمنسوجات وما شابه) أو في بيئة قابلة للاشتعال.** حيث ينشأ خطر اندلاع حريق نتيجة للسخونة المتولدة بجهاز الشحن عند الشحن.
- ◀ **لا تغطي فتحة تهوية جهاز الشحن.** يمكن أن يتعرض جهاز الشحن لسخونة مفرطة ولا يعمل بعد ذلك بشكل سليم.
- ◀ **لزيادة الأمان الكهربائي ننصح باستخدام قاطع أمان للتيار الكهربائي يفصل عند حد أقصى 30 ميلي أمبير في حال ارتفاع قيمة التيار بالخطأ.** افحص قاطع الأمان للتيار دائماً قبل الاستخدام.

وصف المنتج والأداء

- ◀ **اقرأ جميع ملاحظات الأمان والتعليمات.** إن التقصير عند تطبيق ملاحظات الأمان والتعليمات قد يؤدي إلى الصدمات الكهربائية واندلاع الحرائق و/أو الإصابة بجروح خطيرة.
- انتبه للصور في الجزء الخلفي لتعليمات التشغيل هذه.



الاستعمال المخصص

- لقد خصص جهاز الحديقة لقص الأعشاب في الأماكن الخاصة.
- لم يخصص جهاز الحديقة من أجل قص الأسبجة النباتية والتشذيب والتفتيت إلخ..
- يخصص جهاز الحديقة لقص الأعشاب بمستوى ارتفاع الأرض.

إلى تقصير الدائرة الكهربائية الداخلية واحتراق المركم أو خروج الأدخنة منه أو انفجاره وتعرضه لسخونة مفرطة.

- ◀ **لا تقوم بتقصير الدارة الكهربائية بالمركم.** يتشكل خطر الانفجار.
- ◀ **احم المركم من الرطوبة والماء.**
- ◀ **خزن جهاز الحديقة والمركم فقط في الحرارة بين 20- درجة مئوية و50 درجة مئوية.** مثلاً لا تترك المركم في السيارة في الصيف.
- ◀ **نظف شقوق التهوية بالمركم من فترة لأخرى بواسطة فرشاة طرية ونظيفة وجافة.**

تعليمات الأمان لأجهزة الشحن

- ◀ **اقرأ جميع ملاحظات الأمان والتعليمات.** إن التقصير عند تطبيق ملاحظات الأمان والتعليمات قد يؤدي إلى الصدمات الكهربائية واندلاع الحرائق و/أو الإصابة بجروح خطيرة.



احتفظ بجميع ملاحظات الأمان والتعليمات للمستقبل.

استخدم جهاز الشحن فقط إن كان بإمكانك أن تقدر كامل وظائفه بشكل تام وكان بإمكانك إن تنفيذها كاملة وكنت قد استلمت التعليمات الموافقة.

- ◀ **لا تسمح للأطفال أو للأشخاص ذوي القدرات الجسدية أو الحسية أو العقلية المحدودة أو القليلي الخبرة و/أو المعدادومي المعرفة و/أو للأشخاص الغير مطلعين على التعليمات هذه أبداً أن يستعملوا جهاز الشحن.** يجوز أن تحد الأحكام الوطنية من سن المستخدم.
- ◀ **راقب الأطفال.** لضمان عدم عبث الأطفال بجهاز الشحن.
- ◀ **لا تشحن إلا مراكم أيونات الليثيوم من Bosch بدءاً من السعة 4,0 أمبير ساعة (بدءاً من 10 خلايا مراكم).** يجب أن يلائم جهد المراكم جهد شحن المركم الخاص بجهاز الشحن. لا تقم بشحن مراكم غير قابلة لإعادة الشحن. يتشكل خطر نشوب الحرائق والانفجار في حال عدم التقيد بذلك.

احم جهاز الشحن من الأمطار والرطوبة. يزيد تسرب الماء إلى داخل



البيانات الفنية

CityMower 18V-32-300		جزارة العشب
3 600 HB9 A..		رقم الصنف
18	فولط	الجهد الاسمي
34	سم	عرض هيكل السكنين
60 - 30	ملم	ارتفاع القص
31	لتر	سعة كيس جمع الأعشاب
9,5 / 9,4	كغ	الوزن حسب ^A EPTA-Procedure 01:2014
راجع لافتة الطراز على جهاز الحديقة		الرقم المتسلسل
35+ ... 0	درجة مئوية	درجة الحرارة المحيطة الموصى بها عند الشحن

جزارة العشب		CityMower 18V-32-300
درجة الحرارة المحيطة المسموح بها عند التشغيل وعند التخزين	درجة مئوية	20- ... 50+
طرار المركم		PBA 18V...W ساعة، 4,0 أمبير/ساعة، 5,0 أمبير/ساعة، 6,0 أمبير/ساعة

(A) حسب المركم المُستخدم
تم قياس جميع القيم المذكورة في هذه التعليمات من أجل استخدام الجهاز بارتفاع فوق سطح البحر يبلغ 2000 متر كحد أقصى.

جهاز الشحن	AL 1810 CV	AL 1815 CV	AL 1830 CV	AL 1880 CV
تيار الشحن	1,0	1,5	3,0	8,0
مدة الشحن (تفريغ المركم)				
- مركم بقدرة 4,0 أمبير ساعة	240	168	95	35
- مركم بقدرة 5,0 أمبير ساعة	275	193	104	46
- مركم بقدرة 6,0 أمبير ساعة	364	260	130	62
الوزن حسب EPTA-Procedure 01:2014	0,17	0,38	0,40	0,60
فئة الوقاية	II/□	II/□	II/□	II/□

تسري البيانات على جهد اسمي [U] يبلغ 230 فلت. قد تختلف تلك البيانات حسب اختلاف الجهد والطرارات الخاصة بكل دولة.

بدء التشغيل

من أجل سلامتك

- ◀ تنبيه! اطفئ جهاز الحديقة وحل قاطع التيار الكهربائي وفك المركم قبل تنفيذ أعمال الصيانة أو التنظيف. ويطبق ذلك أيضا إن كان كبل المفتاح تالف أو مقصوص أو ملثف عشوائيا.
- ◀ تتابع السكاكين دورانها لعدة ثوان بعد إطفاء جهاز الحديقة.
- ◀ احترس: لا تلمس سكين القص الدوارة.
- ◀ اقتصر على استخدام أجهزة الشحن المذكورة في المواصفات الفنية. فأجهزة الشحن هذه دون غيرها هي المتوائمة مع مراكم أيونات الليثيوم المستخدمة في الجهاز الخاص بك.

شحن المركم

- لقد تم تجهيز المركم بمراقب حراري وهو يسمح بالشحن فقط ضمن مجال حراري يبلغ بين 0 درجة مئوية و 35 درجة مئوية. ويؤدي ذلك إلى مدة صلاحية عالية للمركم.
- ملاحظة:** يتم تسليم المركم وهو بحالة شحن جزئية. اشحن المركم في جهاز الشحن بشكل كامل قبل الاستعمال الأول لضمان قدرة المركم الكاملة.
- يمكن شحن مركم أيونات الليثيوم في أي وقت دون الحد من فترة صلاحيته. إن قطع عملية الشحن لا يسبب الأضرار بالمركم.

التركيب والتشغيل

هدف العمل	الصورة	الصفحة
نطاق التوريد ^(A)	A	24
تركيب المقبض	B	25
تجميع سلة جمع العشب	C	26
تركيب/فك سلة جمع العشب	D	26
ضبط ارتفاع القص	E	27
تركيب المركم	F	27
تشغيل	G - I	28 - 30
- إضافة قاطع التيار الكهربائي		
- تشغيل الجهاز		
- قص		
- إطفاء الجهاز		
- إزالة قاطع التيار الكهربائي		
فك المركم	J	31
ملاحظة العمل بخصوص الجز	K	31
صيانة السكينة/استبدال السكينة	L	32
اختيار التوايح	M	33

(A) لا يتضمن إطار التوريد الاعتيادي التوايح المصورة أو المشروحة. تجد التوايح الكاملة في برنامجنا للتوايح.

المركم فور الوصول إلى نطاق درجة الحرارة المسموح.

قبل إدخال المركم يشير الضوء المستمر لمؤشر شحن المركم إلى أنه قد تم توصيل قابس الشبكة الكهربائية بالمقابس وأن جهاز الشحن جاهز للتشغيل.

معنى عناصر البيان (AL 1830 CV / AL 1880 CV)

الضوء الوماض (السرير) للمؤشر الأخضر لشحن المركم

تتم الإشارة إلى عملية الشحن السريع من خلال الوميض السريع للمؤشر الأخضر لشحن المركم .

إرشاد: يمكن إجراء عملية الشحن السريع فقط عندما تقع درجة حرارة المركم داخل نطاق درجة حرارة الشحن، راجع فقرة «البيانات الفنية».

الضوء الوماض (البطيء) للمؤشر الأخضر لشحن المركم

عندما تبلغ حالة شحن المركم حوالي 80% يومض المؤشر الأخضر لشحن المركم ببطء.

يمكن إخراج المركم واستخدامه مباشرة.

الإضاءة المستمرة للمؤشر الأخضر لشحن المركم

تشير الإضاءة المستمرة للمؤشر الأخضر لشحن المركم إلى اكتمال شحن المركم.

قبل إدخال المركم يشير الضوء المستمر لمؤشر شحن المركم إلى أنه قد تم توصيل قابس الشبكة الكهربائية بالمقابس وأن جهاز الشحن جاهز للتشغيل.

الضوء المستمر للمؤشر الأحمر لشحن المركم

تشير الإضاءة المستمرة للمؤشر الأحمر لشحن المركم إلى أن درجة حرارة المركم خارج النطاق المسموح لدرجة حرارة الشحن، انظر فقرة «المواصفات الفنية». بمجرد الوصول إلى نطاق درجة الحرارة المسموح به، ينتقل جهاز الشحن أوتوماتيكياً إلى الشحن السريع.

الإضاءة الوماضة للمؤشر الأحمر لشحن المركم

تشير الإضاءة الوماضة للمؤشر الأحمر لشحن المركم إلى وجود خلل آخر في عملية الشحن، انظر فقرة «الأخطاء - الأسباب والعلاج».

ملاحظات عمل

قدرة القص (مدة عمل المركم)

تتعلق قدرة القص (مدة عمل المركم) بمواصفات العشب، مثلاً: كثافة العشب، الرطوبة، طول العشب وأيضاً ارتفاع القص.

كما يؤدي تكرار تشغيل وإطفاء جهاز الحديقة أثناء عملية قص العشب إلى تخفيض قدرة القص (مدة عمل المركم).

للتوصل إلى قدرة القص (مدة عمل المركم) المثالية، ينصح بالقص مرات متعددة، بتكبير ارتفاع القص وبالسير بسرعة ملائمة.

لقد تم وقاية مركم إيونات الليثيوم من التفريغ العميق بواسطة "واقية الخلايا الإلكترونية Electronic Cell Protection/(ECP)". يتم إطفاء المركم بواسطة مفتاح وقائي عند تفريغ المركم: لن يعد يعمل جهاز الحديقة.

لا تتابع الضغط على مفتاح التشغيل والإطفاء بعد انطفاء الجهاز بشكل آلي. فقد يتعرض المركم لأضرار.

تُراعى الملاحظات بصدد التخلص من المركم.

تركيب/خلع المركم

ملاحظة: يمكن ان يؤدي استخدام المراكم الغير مناسبة إلى عمل الجهاز بشكل غير صحيح أو إلى تلف الجهاز.

ركب المركم المشحون. احرص على دخول واستقرار المركم بصورة تامة.

لفك المركم عن الجهاز، اضغط زر الفك واسحب المركم من مكانه.

عملية الشحن

تبدأ إجراءات الشحن فور وصل قابس الشاحن بالمقابس وبعد ذلك وضع المركم في الشاحن . يتم كشف حالة شحن المركم بشكل آلي من خلال إجراءات الشحن الذكية، ليتم شحنه بتيار الشحن الملائم اعتماداً على درجة حرارة وجه المركم. يؤدي ذلك إلى صيانة المركم، فيبقى مشحوناً بشكل كامل دائماً عند الاحتفاظ به في جهاز الشحن.

معنى عناصر البيان (AL 1810)

الإضاءة الوماضة لمؤشر شحن المركم

تتم الإشارة إلى عملية الشحن من خلال ووميض مؤشر شحن المركم .



الإضاءة المستمرة لمؤشر شحن المركم

تشير الإضاءة المستمرة لمؤشر شحن المركم إلى اكتمال شحن المركم أو إلى أن درجة حرارة المركم خرجت عن نطاق درجة الحرارة المسموح به وبالتالي لا يمكن شحنه. يتم شحن المركم فور الوصول إلى نطاق درجة الحرارة المسموح به.



قبل إدخال المركم يشير الضوء المستمر لمؤشر شحن المركم إلى أنه قد تم توصيل قابس الشبكة الكهربائية بالمقابس وأن جهاز الشحن جاهز للتشغيل.

معنى عناصر البيان (AL 1815 CV)

الإضاءة الوماضة لمؤشر شحن المركم

تتم الإشارة إلى عملية الشحن من خلال ووميض مؤشر شحن المركم .



الإضاءة المستمرة لمؤشر شحن المركم

تشير الإضاءة المستمرة لمؤشر شحن المركم إلى اكتمال شحن المركم أو إلى أن درجة حرارة المركم خرجت عن نطاق درجة الحرارة المسموح به وبالتالي لا يمكن شحنه. يتم شحن



شروط القص

مركم بقدرة 5,0 أمبير إلى 250 متر مربع ساعة

مركم بقدرة 6,0 أمبير إلى 300 متر مربع ساعة

يمكن شراء مركم إضافي لدى مركز خدمة زبائن شركة بوش لأجهزة الحديقة من أجل زيادة مدة العمل.

يوضع المثال التالي العلاقة بين ارتفاع القص وقدرة القص بالنسبة إلى ثلاثة مراكم.

شروط القص

عشب جاف ورقيق جدا

قدرة القص

مركم بقدرة 4,0 أمبير إلى 200 متر مربع ساعة

البحث عن الأخطاء



الخطأ	السبب المحتمل	العلاج
المحرك لا يشتغل	تلف بالكوابل الداخلية بجهاز الحديقة المركم فارغ	راجع مركز خدمة زبائن بوش اشمن المركم
	المركم ساخن/بارد جدا	اسمح للمركم بأن يبرد/يسخن
	العشب شديد الارتفاع	ارتفاع الأعشاب الأقصى المسموح يبلغ 15 سم بواسطة ضبط ارتفاع القص الأعلى
	تم إطلاق واقية المحرك	اترك المحرك يبرد ثم اضبط ارتفاع قص أكبر
	قاطع التيار الكهربائي غير مركب بشكل صحيح/كامل	ركبه بالشكل الصحيح
جهاز الحديقة يعمل بشكل متقطع	تلف بالكوابل الداخلية بجهاز الحديقة	راجع مركز خدمة زبائن بوش
	تم إطلاق واقية المحرك	اترك المحرك يبرد ثم اضبط ارتفاع قص أكبر
جهاز الحديقة لا يقص الأعشاب بشكل متساوٍ و/أو المحرك لديه صعوبات أثناء العمل	ارتفاع القص قليل جدا	اضبط ارتفاع قص أكبر
	السكينة كليلة	استبدل السكينة (انظر الصورة L)
	قد يكون هناك انسداد	اطفئ جهاز الحديقة وقم بحل قاطع التيار الكهربائي
		افحص الجانب السفلي بجهاز الحديقة وأخليه من البقايا عند الضرورة (ارتد قفازات حدائق دائماً)
	السكينة مركبة بالاتجاه الخاطئ	ركب السكينة بالاتجاه الصحيح
لا تدور السكينة بعد تشغيل جهاز الحديقة	الأعشاب تعيق حركة السكينة	اطفئ جهاز الحديقة وقم بحل قاطع التيار الكهربائي
		ازل الأعشاب المسببة للانسداد (ارتد قفازات الحدائق دائماً)
	صامولة/لولب السكينة منملة	أحكم شد صامولة/لولب السكينة (17 نيوتن متر)
اهتزازات/أصوات شديدة	صامولة/لولب السكينة منملة	أحكم شد صامولة/لولب السكينة (17 نيوتن متر)
	السكينة تالفة	استبدل السكينة (انظر الصورة L)

عند الضغط على مفتاح التشغيل والإيقاف بشكل غير مقصود.

◀ حافظ على نظافة الجهاز، لكي تتمكن من العمل بشكل جيد وأمن.

الصيانة والخدمة

الصيانة، التنظيف والتخزين

◀ فك المركم عن جهاز الحديقة قبل مزاوله أي نوع من الأعمال بالجهاز (مثلاً: الصيانة، استبدال العدد وإلخ.). ينشأ خطر الإصابة بجروح

التخلص من العدة الكهربائية

يجب التخلص من الأجهزة والمراكم والتوابع والتغليف بطريقة منصفة بالبيئة عن طريق التدوير.
لا ترم الأجهزة والمراكم/البطاريات ضمن النفايات المنزلية!



فقط لدول الاتحاد الأوروبي:

حسب التوجيه الأوروبي 2012/19/EU، يجب أن يتم جمع الأجهزة غير الصالحة للاستعمال، وحسب التوجيه الأوروبي 2006/66/EC يجب أن يتم جمع المراكم/البطاريات التالفة أو المستهلكة كل على حدة ليتم التخلص منها بطريقة محافظة على البيئة عن طريق إعادة استغلالها.

قد يتسبب التخلص غير السليم من الأجهزة الكهربائية والإلكترونية القديمة في آثار ضارة على البيئة وصحة الإنسان نتيجة لاحتمالية وجود مواد خطيرة فيها.

المراكم/البطاريات:

مراكم أيونات الليثيوم:

يرجى مراعاة الإرشادات الواردة في جزء النقل (انظر „النقل“، الصفحة 16).

العناية بالمركم

- يرجى مراعاة الملاحظات والإجراءات التالية من أجل ضمان استخدام المركم بشكل مثالي:
- احم المركم من الرطوبة والماء.
- قم بخزن العدة الكهربائية والمركم فقط في نقاط حرارة بين 20- درجة مئوية و50 درجة مئوية. مثلاً لا تترك المركم في السيارة في الصيف.
- قم بتخزين المركم لوحده وليس داخل جهاز الحديقة.
- لا تترك المركم في جهاز الحديقة إن كان سيتعرض لأشعة الشمس المباشرة.
- تبلغ درجة الحرارة المثالية لخزن المركم 5 درجة مئوية.
- نظف شقوق التهوية بالمركم من فترة لآخرى بواسطة فرشاة طرية ونظيفة وجافة.
- تدل فترة صلاحية قصيرة بعد الشحن إلى أن المركم قد استهلك وأنه يتوجب استبداله.

خدمة العملاء واستشارات الاستخدام

يجب مركز خدمة العملاء على الأسئلة المتعلقة بإصلاح المنتج وصيانته، بالإضافة لقطع الغيار. تجد الرسوم التفصيلية والمعلومات الخاصة بقطع الغيار في الموقع: www.bosch-pt.com
يسر فريق Bosch لاستشارات الاستخدام مساعدتك إذا كان لديك أي استفسارات بخصوص منتجاتنا وملحقاتها.

يلزم ذكر رقم الصنف ذو الخانات العشر وفقاً للوحة صنع المنتج عند إرسال أية استفسارات أو طلبات قطع غيار.

المغرب

Robert Bosch Morocco SARL

53، شارع الملازم محمد مبرود

20300 الدار البيضاء

الهاتف: +212 5 29 31 43 27

البريد الإلكتروني: sav.outillage@ma.bosch.com

تجد المزيد من عناوين الخدمة تحت:

www.bosch-pt.com/serviceaddresses

النقل

تخضع مراكم أيونات الليثيوم الموصى بها لاشتراطات قانون المواد الخطرة. يسمح للمستخدم أن يقوم بنقل المراكم على الطرقات دون التقيد بأية شروط إضافية.

عندما يتم إرسالها عن طريق طرف آخر (مثلاً: الشحن الجوي أو شركة شحن)، يتوجب التقيد بشروط خاصة بصدد التغليف ووضع العلامات. ينبغي استشارة خبير متخصص بنقل المواد الخطيرة عندما يرغب بتحصير المركم المراد شحنه في هذه الحالة.

لا تقوم بشحن المراكم إلا إذا كان هيكلها الخارجي سليم. قم بتغطية الملامسات المكشوفة ن بلاصقات، و قم بتغليف المركم بحيث لا يتحرك في الطرد. يرجى أيضاً مراعاة التشريعات المحلية المتعلقة إن وجدت.

دستگاه شارژ را در مکانهای خشک بکار
برید.



شارژر به یک ترانس ایمنی مجهز می
باشد.



جهت تمیز کردن ابزار باغبانی از شوینده
فشار قوی یا شلنگ استفاده نکنید.



محیط کار ابزار باغبانی را از لحاظ وجود
حیوانات وحشی و اهلی به دقت کنترل
کنید. حیوانات وحشی و اهلی ممکن
است هنگام کار با دستگاه زخمی شوند.



محیط کار دستگاه را خوب کنترل و آن را از نظر
وجود سنگ، تکه چوب، استخوان و سایر اجسام
خارجی خالی کنید. دقت کنید که هنگام کار با
دستگاه، هیچ حیوان وحشی یا اهلی یا ساقه درخت
در علف انبوه پنهان نباشد.

کاربری

- ◀ هرگز به کودکان یا سایر افراد نا آشنا اجازه
استفاده از محصول را ندهید. مقررات مربوط به
هر کشور می توانند سن کاربر را محدود کنند.
چنانچه از محصول استفاده نمی کنید، آن دور از
دسترس کودکان نگهدارید.
- ◀ هرگز به کودکان و سایر افراد دارای کاستیهای
روحي و جسمی یا بدون تجربه یا آشنایی یا به
اشخاص بدون اطلاع از روش کاربری اجازه
استفاده از ابزار باغبانی را ندهید.
- ◀ کودکان باید زیر نظر باشند تا اطمینان حاصل
شود که آنها با محصول بازی نمی کنند.
- ◀ هرگز از ابزار باغبانی در صورت بودن اشخاص
بخصوص کودکان یا حیوانات در نزدیکی شما
استفاده نکنید.
- ◀ کاربر در برابر حوادث یا خسارات روی اشخاص یا
املاک مسؤول می باشد.
- ◀ هنگام کاربرد محصول، کفشهای سر باز یا صندل
نپوشید. کفش کار محکم و یک شلوار بلند
پوشید. هرگز با پای برهنه از محصول استفاده
نکنید.
- ◀ سطوح مورد کار را به دقت بررسی کنید و همه
سنگها، تکه ها، سیمها، استخوانها و سایر اجسام
متفرقه را جدا کنید.
- ◀ قبل از استفاده همیشه کنترل کنید که تیغه،
پیچهای تیغه و سایر قسمتهای بخش برش کهنه یا
آسیب دیده نباشند. جهت جلوگیری از بر هم
خوردن بالانس، تیغه ها یا پیچهای تیغه فرسوده را
به طور کامل عوض کنید.
- ◀ فقط در روز روشن یا زیر نور مناسب چراغ، کار
کنید.
- ◀ در صورت بد بودن هوا بخصوص هنگام رعد و
برق با ماشین چمن زن کار نکنید.
- ◀ ابزار باغبانی را حتی الامکان در چمن مرطوب بکار
نبرید.
- ◀ همواره آرام برانید، هرگز تند حرکت نکنید.

فارسی

دستورات ایمنی

توجه! همه دستورات ایمنی را به دقت بخوانید.
خود را با قسمتهای کاربری و نحوه استفاده از
ابزار باغبانی آشنا کنید. لطفا دفترچه راهنما را
برای آینده خوب نگهداری کنید.

توضیح نمادها روی ابزار باغبانی، دستگاه شارژ و باتری

هشدارهای عمومی.



دفترچه ی راهنما را تا انتها بخوانید.



دقت کنید که افراد نزدیک شما با
اجسام به هوا پرت شده زخمی نشوند.



هشدار: هنگام کار ابزار با باغبانی،
فاصله ایمنی را رعایت کنید.



احتیاط: به تیغه های در حال حرکت
دست نزدیک. تیغه ها تیز هستند. جهت
مماقفت از انگشتان پا و دست خود
احتیاط کنید.



قبل از تمیز کردن یا سرویس و یا در
صورتی که ابزار باغبانی را حتی برای
مدتی کوتاه بدون نظارت رها می کنید،
آن را از جریان برق قطع کنید.



مربوط نمی شود.



قبل از تماس با قسمتهای ابزار باغبانی،
بگذارید به طور کامل بایستند. تیغه ها
پس از خاموش شدن برای مدتی در
حرکت می مانند و می توانند باعث ایجاد
جراحت شوند.



ابزار باغبانی را در برابر باران حفظ کنید یا
زیر باران رها نکنید.



خود را در برابر شوک الکتریکی مصون
بدارید.



مربوط نمی شود.



سرویس و مراقبت

- ◀ **در صورت کار در محدوده تیغه تیز، همواره از دستکش باغبانی استفاده کنید.**
- ◀ از محکم بودن مهره ها، پین ها و پیچها مطمئن شوید تا وضعیت کار ایمنی برای محصول تضمین گردد.
- ◀ مرتب سطل جمع آوری چمن را از نظر فرسودگی و شکل کنترل کنید.
- ◀ مرتب سطل جمع آوری چمن را از نظر فرسودگی و شکل کنترل کنید.
- ◀ محصول را کنترل کنید و قسمتهای فرسوده یا آسیب دیده را جهت اطمینان تعویض کنید.
- ◀ فقط از تیغه های در نظر گرفته شده برای ابزار باغبانی استفاده کنید.
- ◀ مطمئن شوید که قطعات تعویضی از شرکت بوش باشند.
- ◀ قبل از نگهداری در انبار از تمیز بودن و خالی بودن محصول اطمینان حاصل کنید. در صورت امکان با یک برس خشک و نرم تمیز کنید.

راهنمایی ها برای کار بهینه با باتری شارژی

- ◀ **قبل از جاگذاری باتری از خاموش بودن ابزار باغبانی و فیوز مربوط مطمئن شوید.** قرار دادن باتری در ابزار باغبانی روشن ممکن است باعث بروز حادثه شود.
- ◀ **تنها از باتریهای در نظر گرفته شده برای این ابزار باغبانی استفاده کنید.** کاربرد سایر باتریها می تواند باعث بروز جراحت یا خطر آتش سوزی گردد.
- ◀ **باتری را باز نکنید.** خطر اتصال کوتاه وجود دارد.
- ◀ **باتری شارژی را در برابر گرما (مانند تابش مستقیم نور خورشید)، رطوبت، آتش، آب محفوظ بدارید.** خطر انفجار وجود دارد.
- ◀ **اگر دستگاه را بکار نمیبرید، باتری شارژی را از نزدیکی با گیره های کاغذ، سکه، کلید، میخ، پیچ یا سایر اشیاء فلزی که باعث اتصال دو قطب می شوند، دور نگهدارید.** ایجاد اتصالی بین دو قطب باتری (ترمیالهای باتری) میتواند باعث سوختگی و ایجاد حریق شود.



- ◀ **در صورت استفاده غیر معمول یا آسیب دیدگی باتری شارژی ممکن است بخار خارج گردد.** هوا را تازه کنید و در صورت بروز ناراحتی به پزشک مراجعه کنید. این بخارها می توانند مجاری تنفسی را تحریک کنند.
- ◀ **تنها از باتری برای محصولات تولیدی شرکت استفاده کنید.** فقط در اینصورت باتری در برابر خطر اعمال فشار بیش از حد محافظت میشود.
- ◀ **بوسیله ی اشیاء تیز مانند میخ یا پیچگوشتی یا تأثیر نیروی خارجی ممکن است باتری آسیب ببیند.** ممکن است اتصالی داخلی رخ دهد و باتری آتش گیرد، دود کند، منفجر شود یا بیش از حد داغ گردد.

- ◀ ابزار باغبانی را هرگز با تجهیزات محافظ آسیب دیده، سرپوش یا تجهیزات ایمنی مانند محافظ پرتاب و/یا سطل جمع آوری علف بکار نگیرید.
- ◀ توصیه می کنیم که علاوه بر ایمنی شخصی از گوشی ایمنی نیز استفاده کنید.
- ◀ اگر خسته یا بیمار هستید یا تحت تأثیر مواد مخدر، دارو یا الکل قرار دارید، از محصول استفاده نکنید.

کار در بوته ها می تواند خطرناک باشد:

- سراشیبی های با زاویه زیاد را چمن زنی نکنید.
- هنگام کار روی سطوح کج یا چمن مرطوب مطمئن گام بردارید.
- روی سطوح کج همواره به صورت مورب چمن زنی کنید و نه به صورت بالا و پایین.
- هنگام تغییر جهت در سراشیبی ها کاملا احتیاط کنید.

- ◀ هنگام حرکت به عقب یا کشیدن ابزار باغبانی کاملا احتیاط کنید.

- ◀ هنگام چمن زنی ابزار باغبانی را همیشه به جلو برانید و هیچگاه آن را به طرف بدن خود نکشید.
- ◀ تیغه ها بایستی رو به بالا باشند، هنگامی که ابزار باغبانی را جهت حمل و بر می گردانید، وقتی که از روی سطوح پوشیده بدون علف رد می شوید و هنگامی که ابزار باغبانی را از ای به جایی جهت چمن زنی حمل می کنید.

- ◀ هنگام روشن کردن یا روشن ماندن موتور، ابزار باغبانی را واژگون نکنید.

- ◀ ابزار باغبانی را مطابق دستورات دفترچه راهنما روشن کنید و دقت کنید که پاهای شما به اندازه کافی از بخشهای در حال چرخش دور باشند.

- ◀ دستها و پاهای خود را در نزدیکی یا زیر بخشهای در حال چرخش نبرید.

- ◀ هنگام کار با ابزار باغبانی از محدوده پرتاب چمن فاصله بگیرید.

- ◀ ابزار باغبانی را هرگز با موتور روشن بلند یا حمل نکنید.

- ◀ دقت کنید که هنگام نگهداری در انبار، ابزار باغبانی با هر 4 چرخ روز زمین قرار گیرد.

- ◀ ابزار باغبانی را تنها از دسته بلند کنید. دسته را با احتیاط بگیرید.

- ◀ **محصول را دستکاری نکنید.** تغییرات غیر مجاز ممکن است ایمنی محصول شما را مختل و یا ایجاد سر و صدای شدید یا لرزش کنند.

قطع کننده جریان برق را فعال کنید:

- وقتی که خود را از ابزار باغبانی جدا می کنید.
- قبل از رفع گیر یا بلوکه ها،
- هنگام کنترل ابزار باغبانی، تمیز یا روی آن کار کردن.
- پس از برخورد با یک جسم خارجی، ابزار باغبانی را سریع از لحاظ آسیب دیدگی کنترل کنید و تیغه را در صورت نیاز تعویض نمایید.
- چنانچه ابزار باغبانی به طور غیر عادی شروع به لرزیدن کرد (فورا کنترل کنید).

- داخل دستگاه شارژر، خطر برق گرفتگی را افزایش میدهد.
- ◀ **دستگاه شارژر را تمیز نگه دارید.** آلودگی می تواند خطر ایجاد شوک الکتریکی داشته باشد.
- ◀ **قبل از هر بار استفاده، شارژر و از جمله کابل و دوشاخه آن را بررسی کنید.** در صورت تشخیص هر گونه آسیب دیدگی، از شارژر استفاده نکنید. هرگز خودتان اقدام به باز کردن شارژر نکنید و بگذارید تعمیرات فقط توسط یا مرکز مجاز خدمات مشتریان و فقط با استفاده از قطعات پدکی اصل انجام شود.
- شارژر، دوشاخه و کابل های آسیب دیده، خطر برق گرفتگی را افزایش می دهند.
- ◀ **دستگاه شارژر را در سطح قابل اشتعال (مثلاً روی کاغذ، پارچه و غیره) یا در محیط با قابلیت آتشسوزی بکار نبرید.** به دلیل ایجاد گرمای حاصل از کار دستگاه، خطر بروز آتشسوزی وجود دارد.
- ◀ **شیار تهویه ی دستگاه شارژر را نپوشانید.** دستگاه شارژر ممکن است در غیر اینصورت درست کار نکند.
- ◀ برای افزایش ایمنی الکتریکی توصیه می شود از یک کلید نشت و خطا با حداکثر آمپراژ فعال 30 میلی آمپر استفاده کنید. کلید نشت و خطا را قبل از کاربری کنترل کنید.

تشریح دستگاه و عملکرد آن

همه دستورات ایمنی و راهنمایی ها را بخوانید. اشتباهات ناشی از عدم رعایت این دستورات ایمنی ممکن است باعث برق گرفتگی، سوختگی و یا سایر جرات های شدید شود.



به تصاویر مربوط در انتهای بخش دفترچه راهنما توجه کنید.

موارد استفاده از دستگاه

ابزار باغبانی جهت چمن زنی در محیط شخصی در نظر گرفته شده است.

ابزار باغبانی جهت بریدن شمشاد، کوتاه کردن، خرد کردن و غیره در نظر گرفته نشده است.

ابزار باغبانی جهت چمن زنی روی زمین در نظر گرفته نشده است.

- ◀ **از اتصال کوتاه باتری خودداری کنید.** خطر انفجار وجود دارد.
- ◀ باتری شارژی را در برابر رطوبت و تابش مستقیم نور خورشید محفوظ بدارید.
- ◀ ابزار باغبانی را شارژر کنید و باتری را در محدوده بین 20°C تا 50°C نگهداری کنید. باتری را در تابستان در ماشین نگذارید.
- ◀ گاه بگانه شیارهای تهویه باتری را بوسیله یک قلم موی یا برس کوچک نرم و خشک تمیز کنید.

دستورات ایمنی برای دستگاه های شارژر

همه دستورات ایمنی و راهنمایی ها را بخوانید. اشتباهات ناشی از عدم رعایت این دستورات ایمنی ممکن است باعث برق گرفتگی، سوختگی و یا سایر جرات های شدید شود.



همه دستورات و راهنمایی ها را برای آینده خوب نگهداری کنید.

لطفاً دستگاه شارژر را زمانی بکار گیرید که از کلیه لزومات عملکرد آن بخوبی واقف باشید و کاملاً بتوانید با دستگاه کار کنید و همچنین راهنمایی های لازم را دریافت کرده باشید.

◀ هرگز به کودکان و سایر افراد دارای کاستیهای روحی و جسمی یا بدون تجربه یا آشنایی یا به اشخاص بدون اطلاع از روش کاربری اجازه استفاده از دستگاه شارژر را ندهید. مفرات مربوط به هر کشور می تواند سن کاربر را محدود کنند.

◀ مراقب کودکان باشید. اینگونه اطمینان حاصل می کنید که کودکان با دستگاه شارژر بازی نمی کنند.

◀ تنها باتریهای لیتیوم-یونی از ظرفیت 4,0 Ah (از 10 باتری ساعتی) شارژر کنید. ولتاژ باتری بایستی با ولتاژ شارژر باتری مطابقت داشته باشد. از شارژر کردن باتری های غیر قابل شارژ خودداری کنید. در غیر اینصورت خطر آتش سوزی یا انفجار وجود دارد.

دستگاه شارژر باتری را در برابر باران و رطوبت محفوظ بدارید. نفوذ آب به



مشخصات فنی

ماشین چمن زن		شماره فنی
CityMower 18V-32-300		3 600 HB9 A..
18	V	ولتاژ نامی
34	cm	عرض قاب تیغه
30 - 60	میلیمتر	ارتفاع برش
31	l	حجم، سطل جمع آوری چمن
9.4 / 9.5	kg	وزن مطابق استاندارد EPTA-Procedure 01:2014 ^{A)}
رجوع کنید به برجسب روی ابزار باغبانی		شماره فنی/شماره سری

ماشین چمن زن		CityMower 18V-32-300
0 ... +35	°C	دمای توصیه شده محیط هنگام شارژ
-20 ... +50	°C	دمای مجاز محیط هنگام کار هنگام انبار کردن
PBA 18V...W- 4,0 Ah, 5,0 Ah, 6,0 Ah		نوع باتری شارژی

(A) بسته به نوع باتری کاربردی تمام مقادیر موجود در این دفترچه برای کاربری برابر یا کمتر از 2000 متر بالاتر از سطح دریا اندازه گیری شده اند.

AL 1880 CV	AL 1830 CV	AL 1815 CV	AL 1810 CV	دستگاه شارژ باتری
8.0	3.0	1.5	1.0	A
جریان شارژ				
زمان شارژ (باتریها خالی هستند)				
35	95	168	240	- باتری با 4,0 Ah دقیقه
46	104	193	275	- باتری با 5,0 Ah دقیقه
62	130	260	364	- باتری با 6,0 Ah دقیقه
0.60	0.40	0.38	0.17	kg
وزن مطابق استاندارد EPTA-Procedure 01:2014				
II/□	II/□	II/□	II/□	کلاس ایمنی

مقادیر برای ولتاژ نامی [U] 230 ولت میباشند. برای ولتاژهای مختلف و تولیدات مخصوص کشورها، ممکن است این مقادیر، متفاوت باشند.

نحوه کاربرد دستگاه

برای ایمنی شما

- ◀ توجه! ابزار باغبانی را خاموش کنید، قطع کننده جریان برق را رها کنید و قبل از انجام سرویس و تمیز کردن، باتری را درآورید. همین کار را در صورت بریدگی، آسیب دیدگی یا کلافه شدن کابل دستگاه انجام دهید.
- ◀ پس از خاموش شدن ابزار باغبانی، تیغه آن چند ثانیه در حرکت می ماند.
- ◀ احتیاط: به تیغه در حال چرخش دست نزنید.
- ◀ تنها شارژرهای ذکر شده در مشخصات فنی را بکار برید. فقط این شارژ کننده ها با باتری های لیتیوم یونی محصول شما مطابقت دارند.

نحوه شارژ کردن باتری

باتری شارژی مجهز به سیستم کنترل کننده دما است که شارژ بین 0 °C و 35 °C را ممکن می سازد. به این ترتیب طول عمر باتری افزایش می یابد.

تذکر: باتری دستگاه با شارژ اولیه ارسال می شود. برای دست یافتن به توان کامل باتری، بایستی باتری را پیش از اولین بار استفاده، در دستگاه شارژ بطور کامل شارژ کنید.

باتریهای لیتیوم-یونی را می توان همیشه شارژ کرد، بدون اینکه از طول عمر آنها کاسته شود. قطع شارژ باتری به آن آسیبی وارد نمی کند.

باتری لیتیوم-یونی از طریق „Electronic Cell Protection (ECP)“ در مقابل خالی شدن کامل محافظت می شود. در صورت خالی بودن باتری،

نحوه نصب و کاربرد


نوع عملکرد	تصویر	صفحه
محتویات ارسالی ^(A)	A	24
نصب قلاب دستگیره	B	25
سر هم کردن سطل جمع آوری چمن	C	26
برداشتن/نصب سطل جمع آوری چمن	D	26
تنظیم ارتفاع برش	E	27
جاگذاری باتری	F	27
کاربرد	G-I	28 - 30
- از فیوز مربوط استفاده کنید		
- روشن کنید		
- چمن زنی		
- خاموش کنید		
- فیوز مربوط را بردارید		
برداشتن باتری	J	31
تذکر برای „چمن زدن“	K	31
مراقبت از تیغه/تعویض تیغه	L	32
نحوه انتخاب متعلقات	M	33

(A) کلیه متعلقاتی که در تصویر و یا در متن آمده است، بطور معمول همراه دستگاه ارائه نمیشود. لیست کامل متعلقات را در برنامه متعلقات ما می یابید.

دارد و به همین دلیل شارژ نمی شود. به محض اینکه دمای باتری تحت دمای مجاز قرار بگیرد، باتری شارژ میشود.

بدون قرار داشتن باتری، چراغ ممتد نمایشگر شارژ باتری نشاندهنده قرار داشتن دوشاخه در پریز و آماده کار بودن دستگاه شارژ است.

مفهوم اجزاء نمایشگر AL 1880 CV / AL 1830 CV

چراغ چشمک زن (تند) وضعیت شارژ باتری سبز
 فرآیند شارژ سریع با چشمک زدن نمایشگر Charge  سبز شارژ باتری نمایش داده میشود.


نکته: فرآیند شارژ سریع تنها در صورت قرار داشتن باتری در محدوده دمای مجاز شارژ ممکن است، رجوع کنید به بخش «مشخصات فنی».

چراغ چشمک زن (آهسته) وضعیت شارژ باتری سبز

در صورت وضعیت شارژ باتری به مقدار 80% چراغ سبز نمایشگر شارژ باتری آهسته چشمک می زند.

باتری را می توان جهت استفاده ی سریع جدا کرد.

چراغ ممتد سبز نمایشگر شارژ باتری

چراغ ممتد سبز نمایشگر اینست که Full  باتری کاملا شارژ شده است.

بدون قرار داشتن باتری، چراغ ممتد نمایشگر شارژ باتری نشاندهنده قرار داشتن دوشاخه در پریز و آماده کار بودن دستگاه شارژ است.

چراغ ممتد قرمز نمایشگر شارژ باتری

چراغ ممتد قرمز نمایشگر وضعیت شارژ باتری نشان می دهد که دمای باتری

خارج از محدوده دمای مجاز شارژ قرار دارد، رجوع کنید به بخش «مشخصات فنی». به محض رسیدن به محدوده ی دمای مجاز، دستگاه شارژ به طور خودکار به حالت فرآیند شارژ سریع تغییر می کند.

چراغ چشمکزن قرمز نمایشگر شارژ باتری

چراغ چشمکزن قرمز نمایشگر شارژ باتری نشاندهنده وجود یک اختلال در فرآیند شارژ است رجوع کنید به بخش «خطا - دلایل و راه حل».

راهنمایی های عملی

توان برش (مدت کارکرد باتری)

توان برش (مدت کارکرد باتری) به مشخصات چمن یعنی تراکم، رطوبت، اندازه و ارتفاع چمن بستگی دارد.

خاموش روشن کردن مکرر ابزار باغبانی هنگام چمن زنی توان برش (مدت کارکرد باتری) را کاهش می دهد.

جهت بهینه سازی توان برش (مدت کارکرد باتری) توصیه می شود، به دفعات چمن زنی کنید، ارتفاع برش را بیشتر نمایید و با سرعت مناسب حرکت کنید. مثال زیر رابطه بین ارتفاع برش و توان برش را با توجه به باتری نشان می دهد.

محصول بوسیله کلید حفاظتی خاموش می شود: ابزار باغبانی دیگر کار نمی کند.

پس از خاموش شدن خودکار دستگاه، دوباره روی کلید خاموش/روشن فشار نیاورید. امکان آسیب دیدن باتری وجود دارد.

به نکات مربوط به نحوه از رده خارج کردن باتری توجه کنید.

قرار دادن/برداشتن باتری

تذکر: در صورت استفاده از باتری های نامناسب، امکان بروز اختلال در عملکرد یا آسیب دیدگی دستگاه وجود دارد.

باتری شارژ شده را قرار دهید. مطمئن شوید که باتری کاملا جا افتاده است.

برای برداشتن باتری از دستگاه، دکمه آزاد کننده قفل باتری را فشار دهید و باتری را بیرون بکشید.

فرآیند بشارژ


به محض اتصال دوشاخه دستگاه شارژ در پریز و فیش شارژر و باتری در دستگاه شارژ شروع می شود.

توسط فرآیند هوشمند شارژ، وضعیت شارژ به طور خودکار تشخیص داده می شود و بر حسب دمای باتری و ولتاژ، جریان شارژ بهینه انتخاب می شود.


با این روش طول عمر باتری افزایش یافته و به هنگام نگهداری آن در داخل دستگاه شارژ همواره بطور کامل، شارژ باقی میماند.

مفهوم چراغهای نمایشگر (AL 1810)

چراغ چشمک زن نمایشگر شارژ باتری

فرآیند شارژ بوسیله چشمک زدن نمایشگر شارژ باتری اطلاع داده می شود. 


چراغ ممتد نمایشگر شارژ باتری

چراغ ممتد نمایشگر شارژ باتری نمایانگر این است که باتری کاملا شارژ شده است یا دمای باتری خارج از محدوده دمای مجاز شارژ قرار دارد و به همین دلیل شارژ نمی شود. به محض اینکه دمای باتری تحت دمای مجاز قرار بگیرد، باتری شارژ میشود. 


بدون قرار داشتن باتری، چراغ ممتد نمایشگر شارژ باتری نشاندهنده قرار داشتن دوشاخه در پریز و آماده کار بودن دستگاه شارژ است.

معنی نمادهای نمایشگر (AL 1815 CV)

چراغ چشمکزن نمایشگر شارژ باتری


فرآیند شارژ بوسیله چشمک زدن نمایشگر شارژ باتری اطلاع داده می شود. 

چراغ ممتد نمایشگر شارژ باتری

چراغ ممتد نمایشگر شارژ باتری نمایانگر این است که باتری کاملا شارژ شده است یا دمای باتری خارج از محدوده دمای مجاز شارژ قرار 

شرایط برش	
باتری با Ah 5,0	تا 250 m ²
باتری با Ah 6,0	تا 300 m ²

برای افزایش مدت کارکرد می توان یک باتری اضافی را از یکی از نمایندگی های مجاز Bosch خریداری کرد

شرایط برش	
چمن بسیار نازک و خشک	
توان برش	
باتری با Ah 4,0	تا 200 m ²

جستجوی خطا



ایراد	دلیل ممکن	راهنمایی
موتور راه نمی افتد	اتصال درونی کابل های ابزار باغبانی معیوب است	به نمایندگی بوش مراجعه کنید
	باتری خالی است	باتری را شارژ کنید
	باتری خیلی سرد/خیلی داغ است	بگذارید باتری گرم/خنک شود
	چمن خیلی بلند است	بیشترین ارتفاع مجاز چمن با حداکثر تنظیم ارتفاع برش برابر است با 15 سانتیمتر
	محافظ موتور فعال شده است	بگذارید موتور خنک شود و ارتفاع برش بیشتری را تنظیم کنید
	قطع کننده جریان برق نادرست/ناقص نصب شده است	درست نصب کنید
ابزار باغبانی با توقف کار می کند	اتصال درونی کابل های ابزار باغبانی معیوب است	به نمایندگی بوش مراجعه کنید
	محافظ موتور فعال شده است	بگذارید موتور خنک شود و ارتفاع برش بیشتری را تنظیم کنید
ابزار باغبانی تصویر برش منظمی بدست نمی دهد و/یا موتور سخت کار می کند	ارتفاع برش کم است	ارتفاع برش بیشتری را تنظیم کنید
	تیغه کند است	تیغه را تعویض کنید (رجوع کنید به تصویر L)
	امکان گرفتگی	ابزار باغبانی را خاموش و فیوز مربوط را قطع کنید
		قسمت پایین ابزار باغبانی را کنترل و در صورت نیاز خالی کنید (همواره از دستکش باغبانی استفاده کنید)
	تیغه از طرف اشتباه نصب شده است	تیغه را از طرف صحیح نصب کنید
پس از روشن کردن ابزار باغبانی تیغه نمی چرخد	تیغه توسط چمن، گیر کرده است	ابزار باغبانی را خاموش و فیوز مربوط را قطع کنید
		گرفتگی را برطرف کنید (همواره از دستکش باغبانی استفاده کنید)
	مهره تیغه/پیچ تیغه شل است	مهره تیغه/پیچ تیغه را سفت کنید (Nm 17)
لرزش شدید/سر و صدا	مهره تیغه/پیچ تیغه شل است	مهره تیغه/پیچ تیغه را سفت کنید (Nm 17)
	تیغه آسیب دیده است	تیغه را تعویض کنید (رجوع کنید به تصویر L)

مراقبت و سرویس

سرویس، تمیز کردن و نگهداری

◀ قبل از هر گونه کاری روی ابزار باغبانی (از قبیل سرویس، تعویض ابزار و غیره) و نیز حمل و نقل و نگهداری، باتری را از ابزار

اندازه گیری بیرون آورید. در صورت تماس ناخواسته و اتفاقی با کلید قطع و وصل، خطر آسیب دیدگی و بروز جراحات وجود دارد. جهت کار کردن خوب و مطمئن، محصول را تمیز نگهدارید.

از رده خارج کردن دستگاه

ابزار های باغبانی، باتری ها، متعلقات و بسته بندی آن، باید طبق مقررات حفظ محیط زیست از رده خارج و بازیافت شوند.



محصولات و باتری ها/ باتری های قابل شارژ را داخل زباله دان خانگی نیندازید!



فقط برای کشورهای عضو اتحادیه اروپا:

دستگاههای کهنه و غیر قابل استفاده طبق آیین نامه و دستورالعمل اروپائی 2012/19/EU و باتریهای خراب یا فرسوده براساس آیین نامه ی اروپایی 2006/66/EG باپستی جداگانه و متناسب با محیط زیست جمع آوری شوند.
در صورت دفع نادرست ضایعات تجهیزات الکتریکی و الکترونیکی، به دلیل وجود احتمالی مواد خطرناک، اثرات مضرى بر محیط زیست و سلامت انسان خواهند داشت.

باتریهای شارژی/قلمی:

لیتیوم-یونی:

لطفاً به تذکرات بخش (رجوع کنید به „حمل دستگاه“، صفحه 23) توجه کنید.

مراقبت از باتری

جهت تضمین استفاده بهینه از باتری به راهنماییهای زیر توجه کنید:

- باتری شارژی را در برابر رطوبت و تابش مستقیم نور خورشید محفوظ بدارید.
- ابزار برقی را شارژ کنید و باتری را در محدوده بین 20°C تا 50°C نگهداری کنید. باتری را در تابستان در ماشین نگذارید.
- باتری را به صورت مجزا و نه در ابزار باغبانی نگهداری کنید.
- باتری را زیر تابش مستقیم نور خورشید در ابزار باغبانی قرار ندهید.
- دمای بهینه جهت نگهداری باتری 5°C است.
- گاه بگاه شیارهای تهویه باتری را بوسیله یک قلم موی یا برس کوچک نرم و خشک تمیز کنید.
- مدت زمان کارایی بسیار کوتاه پس از شارژ، نشاندهنده فرسوده بودن باتری شارژی است و باپستی تعویض شود.

خدمات و مشاوره با مشتریان

خدمات مشتری، به سؤالات شما درباره تعمیرات، سرویس و همچنین قطعات یدکی پاسخ خواهد داد. نقشههای سه بعدی و اطلاعات مربوط به قطعات یدکی را در تارنمای زیر میبایید:

www.bosch-pt.com

گروه مشاوره به مشتریان Bosch با کمال میل به سؤالات شما درباره محصولات و متعلقات پاسخ می دهند.

برای هرگونه سؤال و یا سفارش قطعات یدکی، حتماً شماره فنی 10 رقمی کالا را مطابق پرچسب روی ابزار برقی اطلاع دهید.

ایران

روبرت بوش ایران - شرکت بوش تجارت پارس
میدان ونک، خیابان شهید خدای، خیابان آفتاب
ساختمان مادیان، شماره 3، طبقه سوم.
تهران 1994834571
تلفن: 42039000 +9821

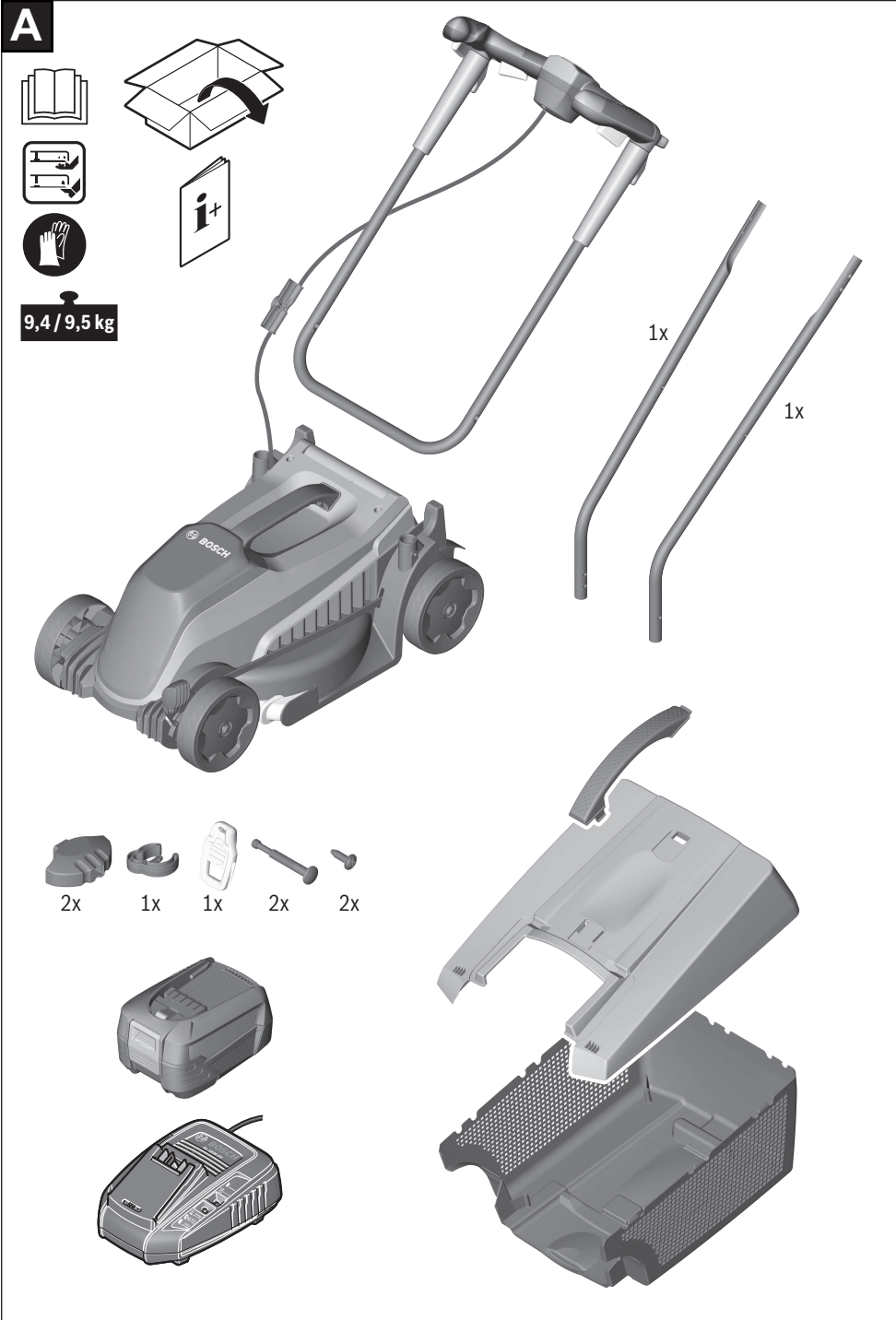
آدرس سایر دفاتر خدماتی را در ادامه ببایید:

www.bosch-pt.com/serviceaddresses

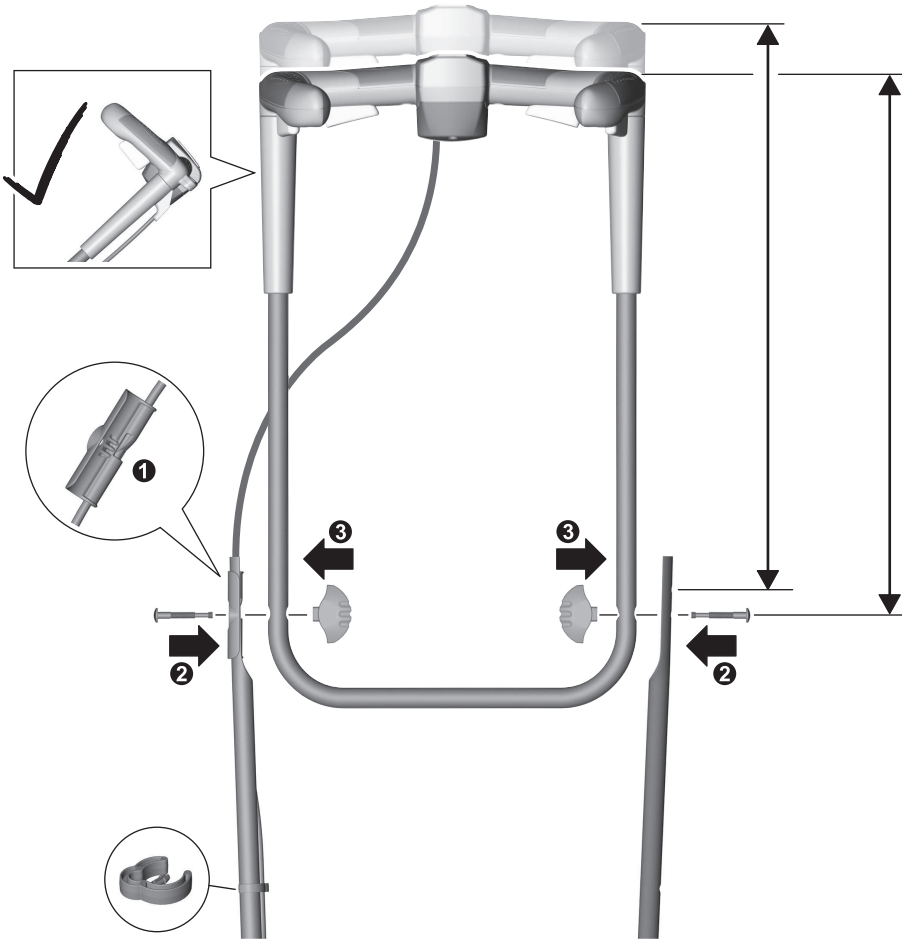
حمل دستگاه

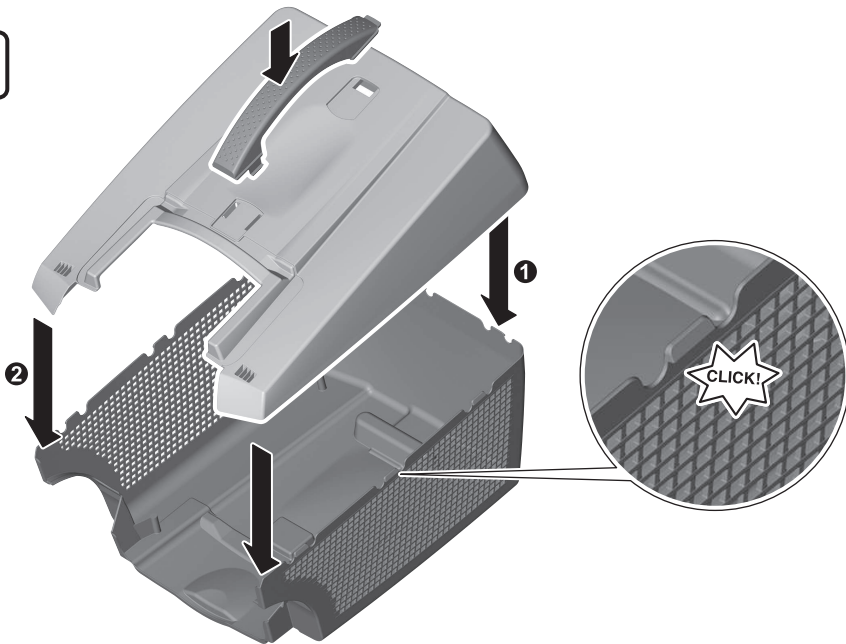
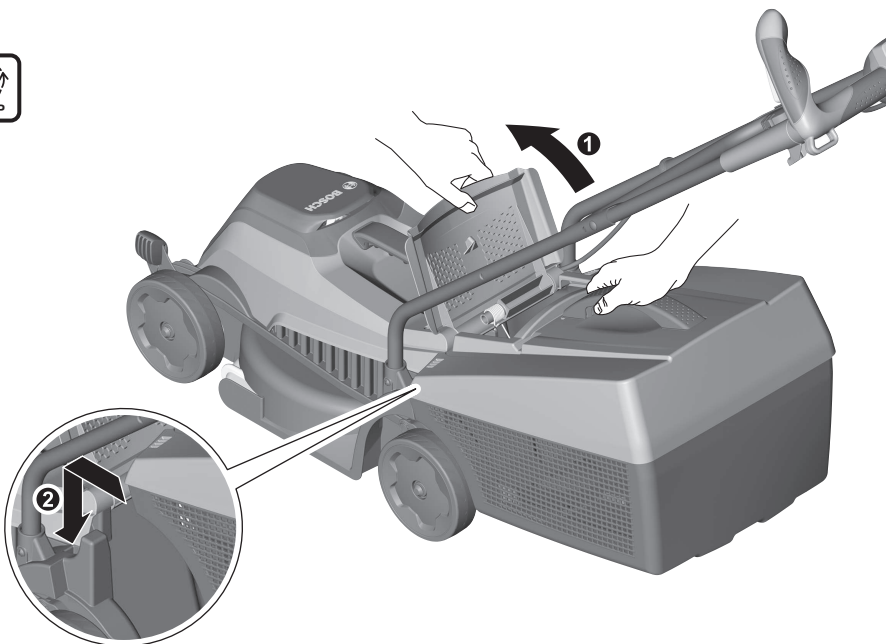
باتری های لیتیوم یونی توصیه شده، مشمول الزامات قانون کالاهای خطرناک هستند. کاربر می تواند باتری ها را بدون استفاده از روکش در خیابان حمل کند.

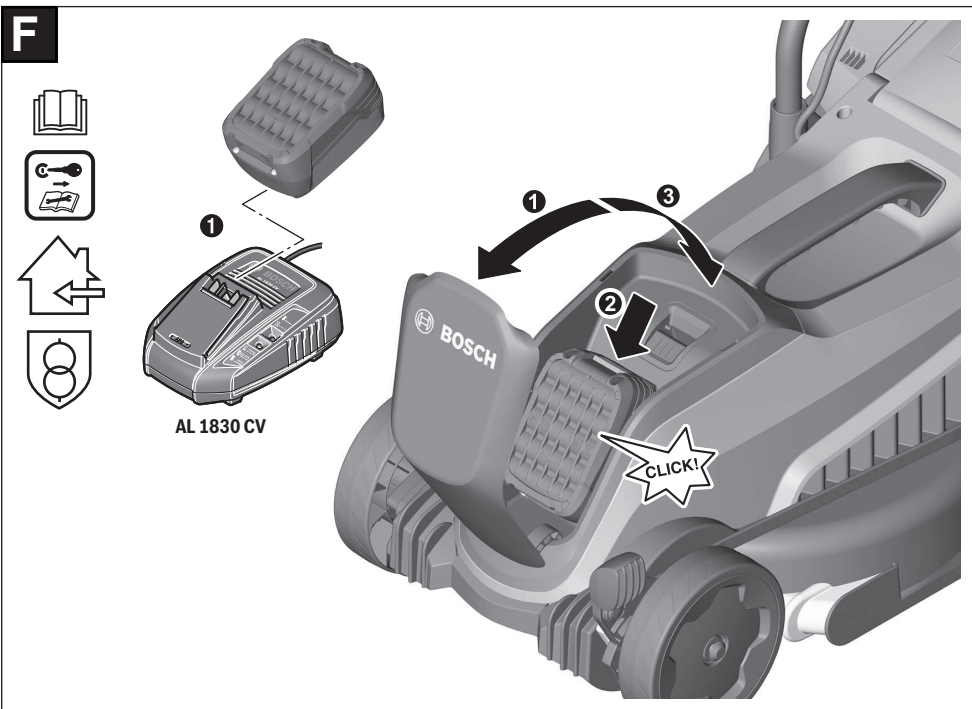
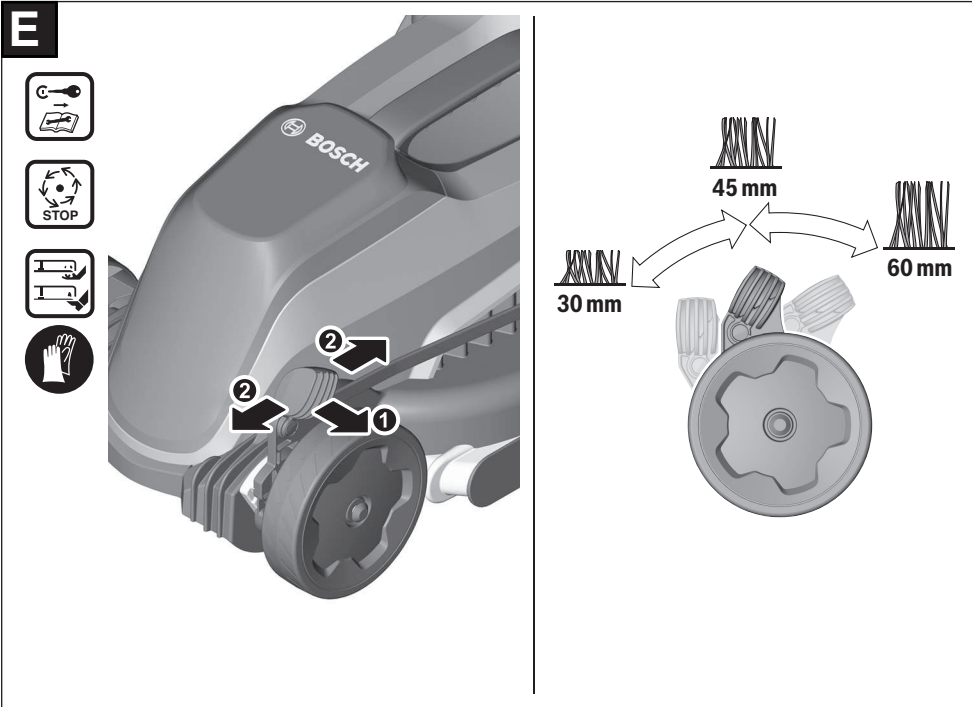
در صورت ارسال توسط شخص ثالث (مانند: حمل و نقل هوایی یا زمینی) باید تمهیدات مربوط به بسته بندی و علامتگذاری مورد توجه قرار گیرد. در اینصورت باید حتما جهت آماده سازی قطعه ارسالی به کارشناس حمل کالاهای پر خطر مراجعه کرد.
باتریها را فقط در صورتی ارسال کنید که بدنه آنها آسیب ندیده باشد. اتصالات (کنتاکنهای) باز را بپوشانید و باتری را طوری بسته بندی کنید که در بسته بندی تکان نخورد. در این باره لطفاً به مقررات و آیین نامه های ملی توجه کنید.

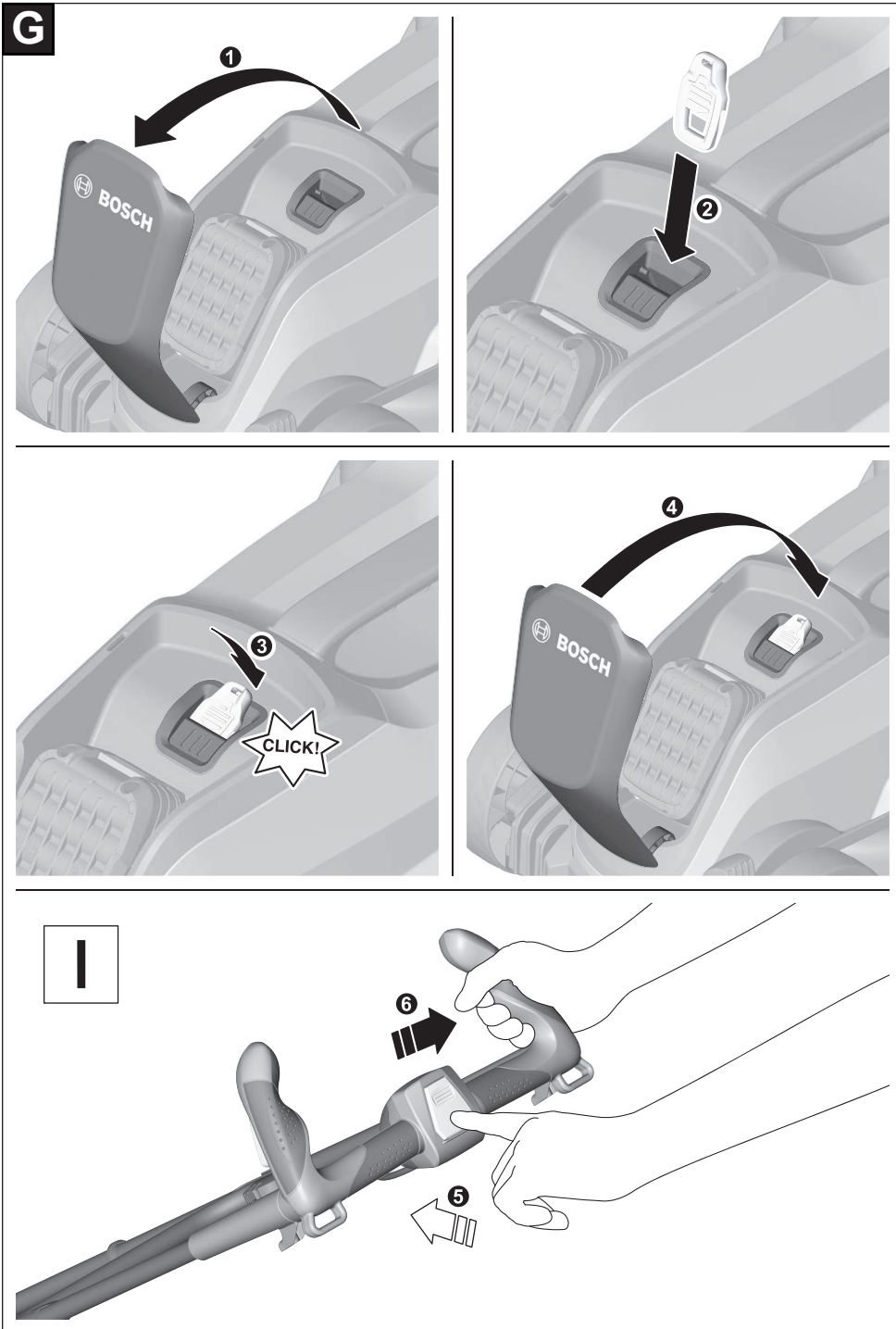


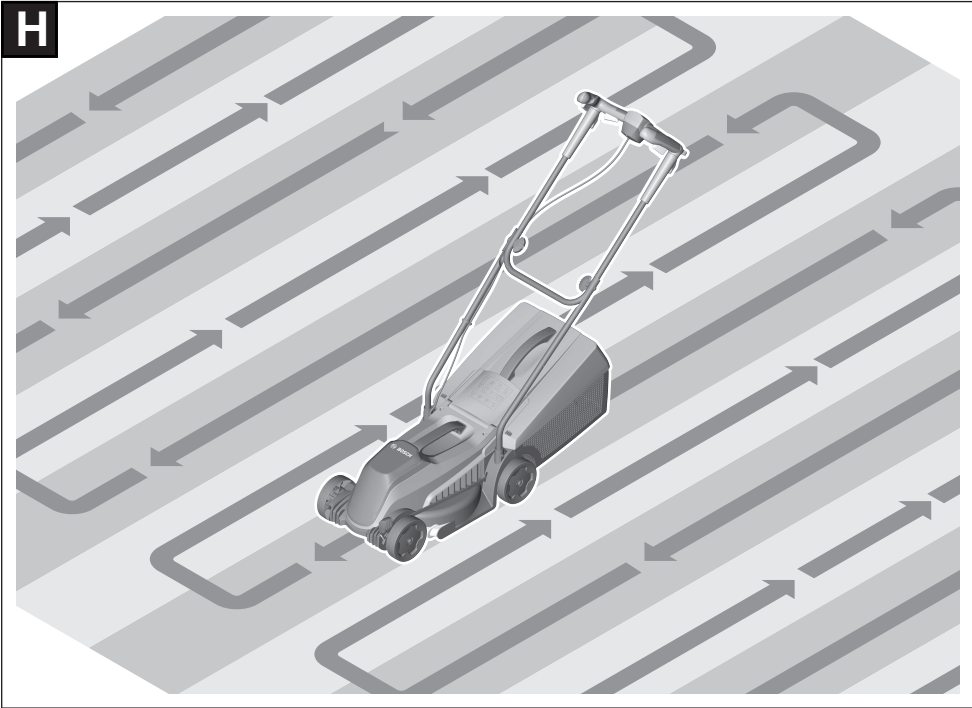
B

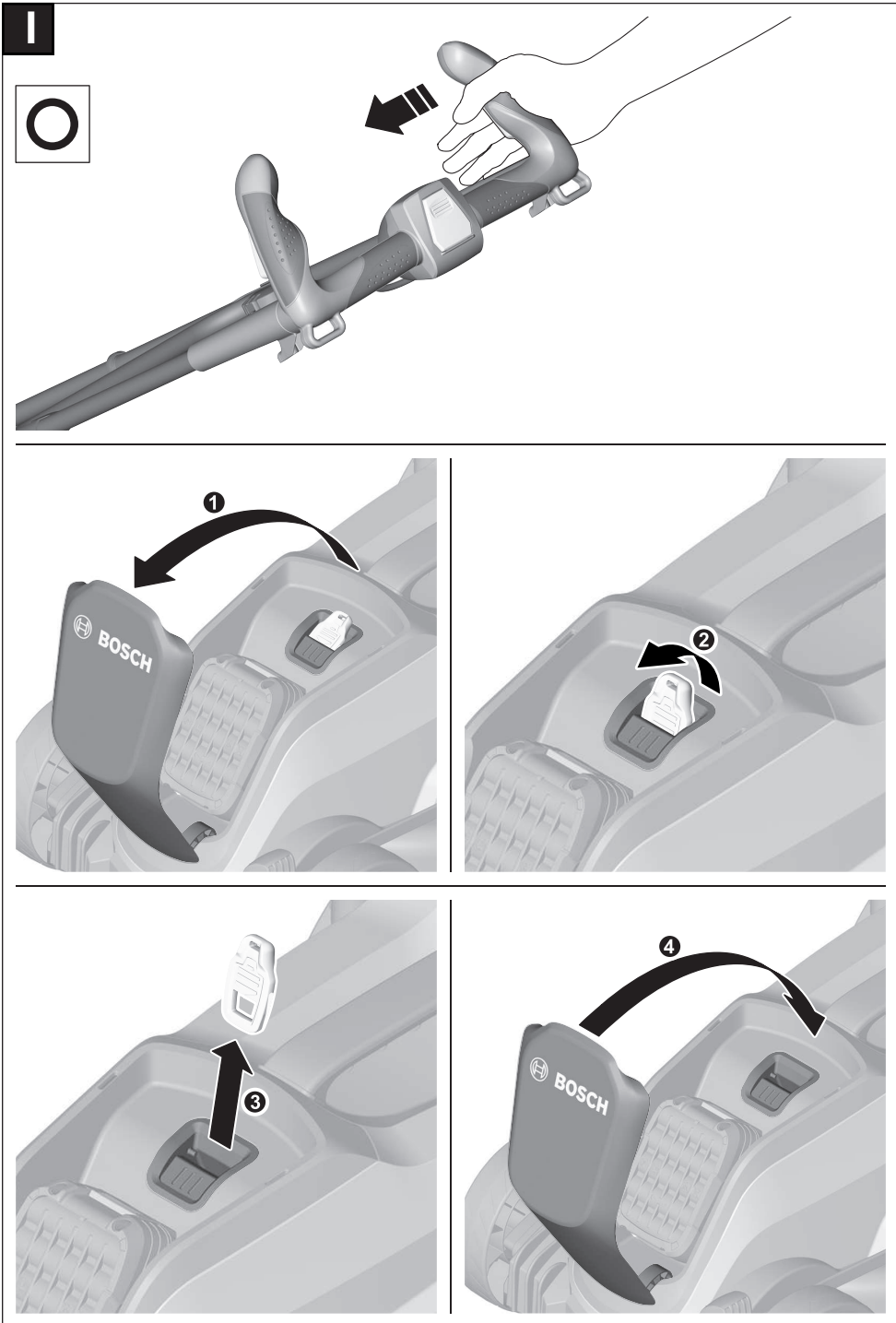


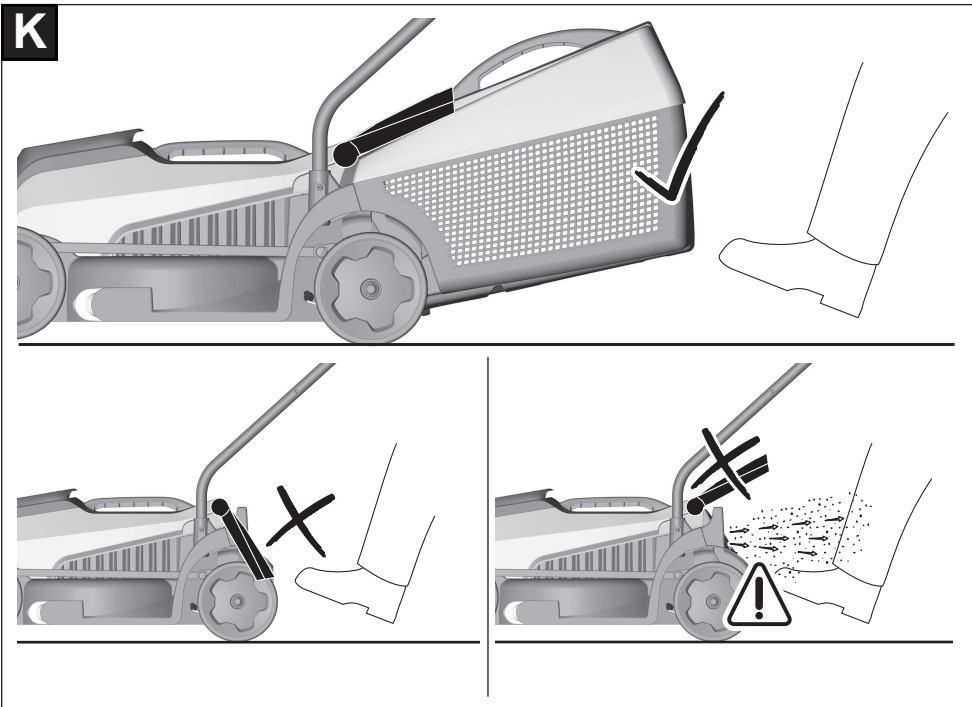
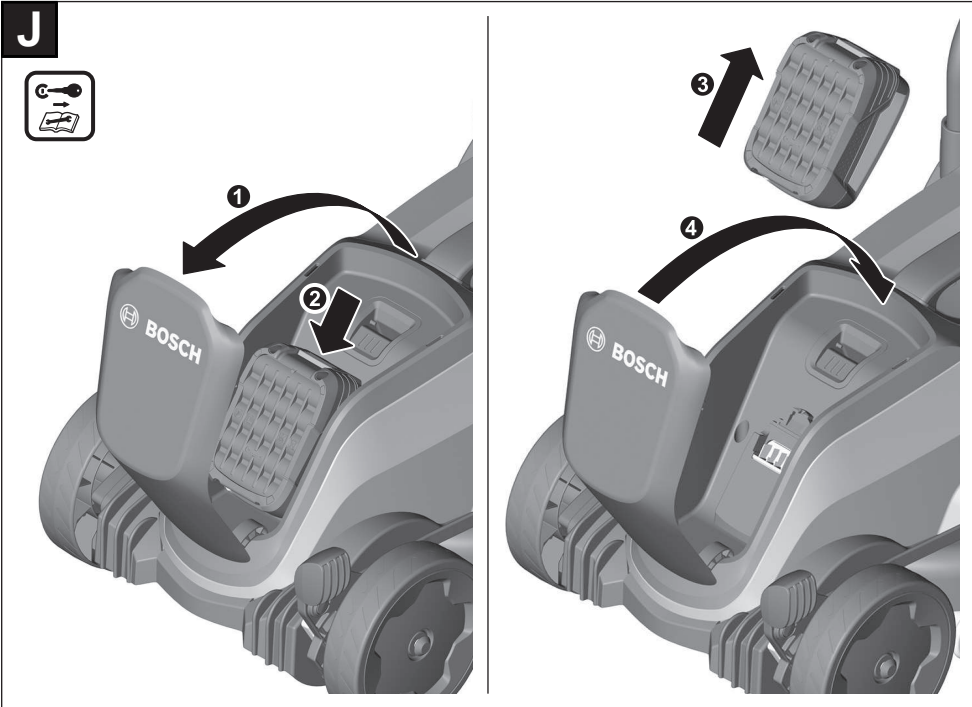
C**D**

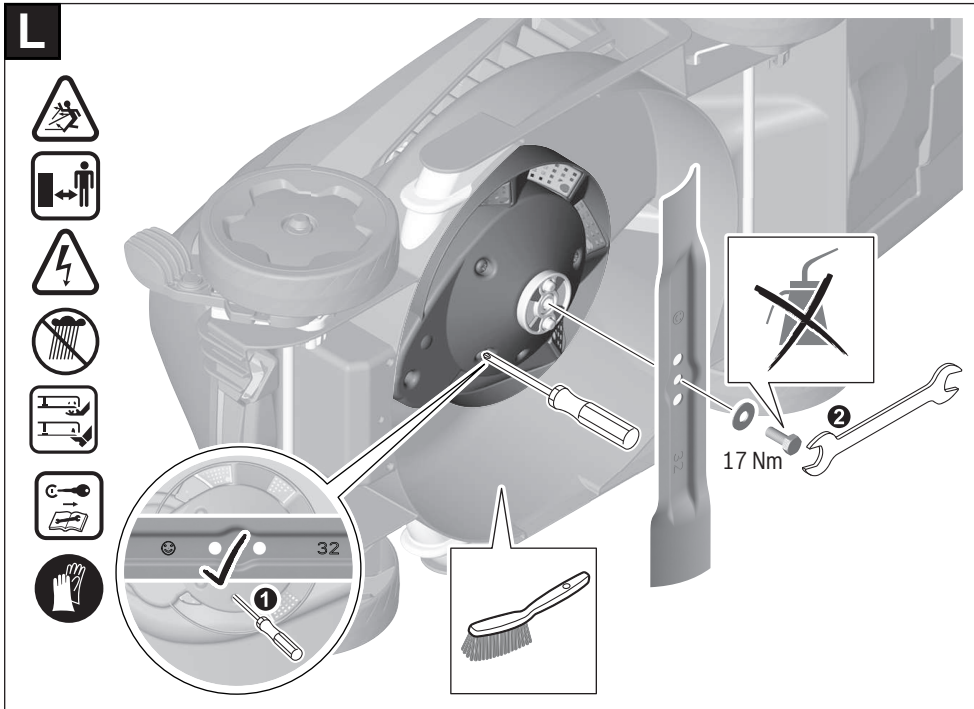


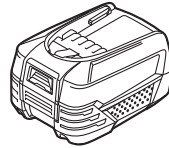
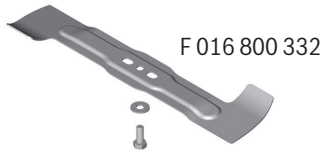




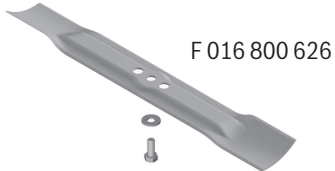




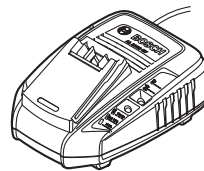


M

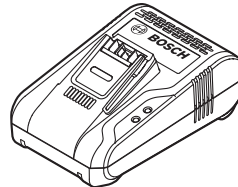
18V 4,0 Ah
18V 5,0 Ah
18V 6,0 Ah



AL 1810 CV



AL 1830 CV



AL 1880 CV