



EasyGrassCut

18 | 18-230 | 18-26 | 18-260



Robert Bosch Power Tools GmbH
70538 Stuttgart
GERMANY

www.bosch-pt.com

F 016 L94 031 (2020.06) 0 / 64



F 016 L94 031

en Original instructions
ar دليل التشغيل الأصلي
fa دفترچه راهنمای اصلی



English	Page	3
عربي	الصفحة	16
فارسی	صفحه	31
CE		I

English

Safety Notes

Warning! Read all safety warnings and all instructions. Make yourself familiar with the controls and the proper use of the product. Please keep the instructions safe for later use!

Explanation of symbols on the machine



General hazard safety alert.



Read instruction manual.



Make sure that bystanders are not injured by foreign objects being thrown away.



Warning: Keep a safe distance to the product when operating.



Not applicable.



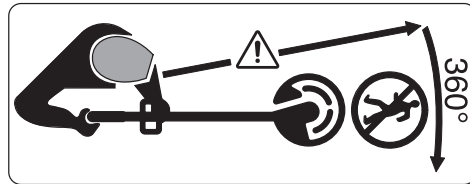
Remove battery before adjusting or cleaning, and before leaving the machine unattended for any period.



Wear eye and ear protection.



Do not use the product in the rain or leave it outdoors when it is raining.



Make sure that bystanders are not injured by foreign objects being hurled away.

Warning: Keep a safe distance from the machine when operating.



Carefully check the area where the tool is to be used for wildlife and pets. Wildlife and pets may be injured while the machine is in operation. Thoroughly check the working area and remove any stones, sticks, wires, bones and foreign objects. When using the machine, ensure that no wildlife, pets or small tree stumps are hidden in the dense grass.

General Safety Warnings for Trimmers

- ▶ **Read all safety warnings, instructions, illustrations and specifications provided with this machine.** Failure to follow the safety warnings and instructions may result in electric shock, fire and/or serious injury.
- ▶ **Save all safety warnings and instructions for future reference.**
- ▶ The term machine in the warnings refers to your mains-operated (corded) machines or battery-operated (cordless) machines.

Work area safety

- ▶ **Keep work area clean and well lit.** Cluttered or dark areas invite accidents.
- ▶ **Do not operate the machine in explosive atmospheres, such as in the presence of flammable liquids, gases or dust.** Machines create sparks which may ignite the dust or fumes.
- ▶ **Keep children and bystanders away while operating the machine.** Distractions can cause you to lose control over the machine. Never operate the machine while people, especially children or pets, are nearby.

Electrical safety

- ▶ **The plug of the machine must match the outlet. Never modify the plug in any way. Do not use any adapter plugs with earthed (grounded) power tools.** Unmodified plugs and matching outlets will reduce the risk of electric shock.
- ▶ **Avoid body contact with earthed or grounded surfaces, such as pipes, radiators, ranges and refrigerators.** There is an increased risk of electric shock if your body is earthed or grounded.
- ▶ **Do not expose the machine to rain or wet conditions.** Penetration of water in the machine increases the risk of an electric shock.
- ▶ **Never use the cord for carrying, hanging up or unplugging the ma-**

chine. Keep cord away from heat, oil, sharp edges and moving parts.

Damaged or entangled cords increase the risk of electric shock.

- ▶ **When operating a machine outdoors, use an extension cord suitable for outdoor use.** Use of a cord suitable for outdoor use reduces the risk of electric shock.
- ▶ **When operating the machine in damp environments is unavoidable, use a residual current device (RCD).** The use of a residual current device (RCD) reduces the risk of electric shock.

Personal safety

- ▶ **Stay alert, watch what you are doing and use common sense when operating the machine. Do not use a machine while you are tired or under the influence of drugs, alcohol or medication.** A moment of inattention while operating the machine may result in serious personal injury.
- ▶ **Wear safety equipment. Always wear eye protection.** Wearing safety equipment such as dusk mask, non-skid safety shoes, hard hat, or hearing protection used for appropriate conditions will reduce personal injuries.
- ▶ **Prevent unintentional starting. Ensure the switch is in the off-position before connecting to power source and/or battery, picking up**

or carrying the machine. Carrying machines with your finger on the switch or plugging in machines that have the switch on invites accidents.

▶ **Remove any adjusting key or spanner before turning the machine on.**

A spanner or a key left attached to a rotating part of the machine may result in personal injury.

▶ **Avoid abnormal body posture.**

Provide for a secure stance and keep your balance at all times; never run. This enables better control of the machine in unexpected situations.

▶ **Dress properly. Do not wear loose clothing or jewellery. Keep your hair and clothing away from moving parts.**

Loose clothes, jewellery or long hair can be caught in moving parts. Always wear sturdy footwear and long trousers when operating the machine.

▶ **If devices are provided for the connection of dust extraction and collection facilities, ensure these are connected and properly used.**

Use of dust collection can reduce dust-related hazards.

▶ **Do not assume a false sense of security and disregard the safety regulations for machines, even if familiar with the machine through multiple use.** A careless action can cause severe injury within a fraction of a second.

Use and Handling of the Machine

▶ **Do not force the machine. Use the correct machine for your application.**

The correct machine will do the job better and safer at the rate for which it was designed.

▶ **Do not use the machine if the switch does not turn it on and off.**

Any machine that cannot be controlled with the switch is dangerous and must be repaired.

▶ **Disconnect the plug from the power source and/or remove the battery pack, if detachable, from the machine before making any adjustments, changing accessories, or storing machines.**

Such preventive safety measures reduce the risk of starting the machine accidentally.

▶ **Store idle machines out of the reach of children. Do not allow persons unfamiliar with the machine or these instructions to operate the machine.**

Trimmers are dangerous in the hands of untrained users.

▶ **Maintain trimmers with care. Check for misalignment or binding of moving parts, breakage of parts and any other condition that may affect the operation of the machine. Have damaged parts repaired before using the machine.**

Many accidents are caused by poorly maintained machines.

- ▶ **Keep cutting tools sharp and clean.** Properly maintained cutting tools with sharp cutting edges are less likely to bind and are easier to control.
- ▶ **Use the machine, accessories, application tools, etc. according to these instructions. Take the working conditions and the work to be performed into account.** Use of machines for operations different from those intended could result in a hazardous situation.
- ▶ **Keep handles and grasping surfaces dry, clean and free from oil and grease.** Slippery handles and grasping surfaces do not allow for safe handling and control of the machine in unexpected situations.
- ▶ **Use power tools only with specifically designated battery packs.** Use of any other battery packs may create a risk of injury and fire.
- ▶ **When battery pack is not in use, keep it away from other metal objects, like paper clips, coins, keys, nails, screws or other small metal objects, that can make a connection from one terminal to another.** Shorting the battery terminals together may cause burns or a fire.
- ▶ **Under abusive conditions, liquid may be ejected from the battery; avoid contact. If contact accidentally occurs, flush with water. If liquid contacts eyes, additionally seek medical help.** Liquid ejected from the battery may cause irritation or burns.

Battery tool use and care

Remove the battery pack

- whenever the machine is left by the user
- before clearing a blockage
- before checking, cleaning or working on the machine
- after striking a foreign object to inspect the machine for damage
- if the machine starts to vibrate abnormally, for immediately check
- ▶ **Recharge only with the charger specified by the manufacturer.** A charger that is suitable for one type of battery pack may create a risk of fire when used with another battery pack.
- ▶ **Do not use a battery pack or tool that is damaged or modified.** Damaged or modified batteries may exhibit unpredictable behaviour resulting in fire, explosion or risk of injury.
- ▶ **Do not expose a battery pack or tool to fire or excessive temperature.** Exposure to fire or temperature above 130°C may cause explosion.
- ▶ **Follow all charging instructions and do not charge the battery pack or tool outside the temperature range specified in the instructions.** Charging improperly or at temperatures outside the specified range may damage the battery and increase the risk of fire.

Service

- ▶ **Have your machine serviced by a qualified repair person using only identical replacement parts.** This ensures that the safety of your machine is maintained.
- ▶ **Never service damaged battery packs.** Service of battery packs should only be performed by the manufacturer or authorized service providers.

Safety Warnings for Garden Tool

Operation

- ▶ The operator must use the product in accordance with the regulations. The local conditions must be taken into account. When working, pay attention to other people, especially to children.
- ▶ Never allow children, persons with physical, sensory or mental limitations or a lack of experience and/or knowledge and/or people unfamiliar with these instructions to use the product. Local regulations may restrict the age of the operator.
- ▶ Children should be supervised to ensure that they do not play with the product.

Application

- ▶ **When working with the machine, always hold it firmly with both hands and provide for a secure stance.** The garden tool is guided more secure with both hands.

- ▶ Always wait until the machine has come to a complete stop before placing it down.
- ▶ Never operate the machine with a defective protection guard/cover or without safety device. Ensure that these are properly mounted. Never use the garden tool when incomplete or after unauthorised changes.
- ▶ Never operate the machine if the cord is damaged or worn.
- ▶ Never replace non-metallic cutting elements with metal cutting elements.
- ▶ Never repair the garden tool yourself unless you are qualified to do so.
- ▶ Other persons and animals should remain or be kept a suitable distance away when using the garden tool. The operator is responsible for third parties in the work area.
- ▶ Wait until the cutting head has completely stopped before touching it. The cutting head continues to rotate after the trimmer is switched off; a rotating cutting head can cause injury.
- ▶ Work only in daylight or in good artificial light.
- ▶ Avoid operating the trimmer in bad weather conditions especially when there is a risk of lightning.
- ▶ Operating the trimmer in wet grass decreases the efficiency of performance.
- ▶ When transporting, switch the machine off and remove the battery.

- ▶ Always ensure a safe working position when working with the trimmer. Always keep your hands and feet at a safe distance from rotating parts.
- ▶ Keep the balance all the time while trimming to prevent falling over.
- ▶ Take care when placing product on floor, as it may become a trip hazard.
- ▶ Remove the battery before replacing the spool.
- ▶ Inspect and maintain the trimmer regularly.
- ▶ Always wear gloves when cleaning product or replacing cutting means.
- ▶ Be careful of injuries from the blade used for cutting the cutting line. After feeding cutting line, always return the trimmer to a horizontal working position before switching on.

Switch the machine off and remove the battery.

- whenever you leave the machine unattended for any period of time
- before replacing the cutting line
- before cleaning or working on the trimmer
- before storing the trimmer
- ▶ Store the product in a secure, dry place out of the reach of children. Do not place other objects on top of the product.
- ▶ Do not use the garden tool as a walking stick.

Recommendations for Optimal Handling of the Battery Pack

- ▶ **Do not open the battery.** There is a risk of short-circuiting.



Protect the battery against heat (e.g., against continuous intense sunlight), fire, water, and moisture. There is a risk of explosion.

- ▶ **In case of damage and improper use of the battery pack, vapours may be emitted.** Ventilate the area and seek medical help in case of complaints. The vapours can irritate the respiratory system.
- ▶ **Only use the battery with products from the manufacturer.** This is the only way in which you can protect the battery against dangerous overload.
- ▶ **The battery can be damaged by pointed objects such as nails or screwdrivers or by force applied externally.** An internal short circuit can occur and the battery can burn, smoke, explode or overheat.
- ▶ **Do not short-circuit the battery.** There is a risk of explosion.
- ▶ Occasionally clean the venting slots of the battery using a soft, clean and dry brush.

Safety Warnings for Battery Chargers



Read all safety warnings and all instructions. Failure

to follow the safety warnings and instructions may result in electric shock, fire and/or serious injury.

Save all safety warnings and instructions for future reference.

- ▶ Use the battery charger only when you fully understand and can perform all functions without limitation, or have received appropriate instructions.
- ▶ Never allow children, persons with physical, sensory or mental limitations or a lack of experience and/or knowledge and/or people unfamiliar with these instructions to use the battery charger. Local regulations may restrict the age of the operator.
- ▶ **Supervise children at all times.** This will ensure that children do not play with the battery charger.
- ▶ Charge only Bosch lithium-ion batteries with a capacity above **1.5 Ah** (with at least **5** rechargeable battery cells). The battery voltage must match the battery charging voltage of the charger. Do not charge non-rechargeable batteries. Otherwise there is a danger of fire and explosion.



Keep the battery charger away from rain or moisture.





Penetration of water in the battery charger increases the risk of an electric shock.







- ▶ **Keep the charger clean.** Dirt poses a risk of electric shock.

- ▶ **Always check the charger, cable and plug before use. Stop using the charger if you discover any damage. Do not open the charger yourself, and have it repaired only by a qualified specialist using only original replacement parts.** Damaged chargers, cables and plugs increase the risk of electric shock.
- ▶ **Do not operate the charger on an easily ignited surface (e.g. paper, textiles, etc.) or in a flammable environment.** There is a risk of fire due to the charger heating up during operation.
- ▶ **Do not cover the ventilation slots of the battery charger.** Otherwise, the battery charger can overheat and no longer operate properly.
- ▶ For increased electrical safety, we recommend using a residual current device with a max. tripping current of 30 mA. Before using, always check your residual current device.

Symbols

The following symbols are important for reading and understanding the original instructions. Please take note of the symbols and their meaning. The correct interpretation of the symbols will help you to use the product in a better and safer manner.

Symbol	Meaning
	Movement direction
	Reaction direction
	Wear protective gloves
	Weight

Symbol	Meaning
	Switching on
	Switching off
	Permitted action
	Prohibited action
	Audible noise
	Accessories/Spare Parts

Intended Use

The garden tool is intended for domestic use, for trimming grass, weeds and nettles. It is designed for trimming grass growing on slopes, under obstacles and lawn edges that cannot be reached by the lawn mower. The garden tool is not designed for use as a brush cutter. The garden tool is not intended for commercial or industrial use.

Deliver scope (see figure B)

Carefully remove the machine from its packaging and check if the following parts are complete:

- Grass Trimmer
- Protection guard
- Battery**

- Charger**
- Original instructions

When parts are missing or damaged, please contact your dealer.

** country specific

Product Features (see figure A)

The numbering of the product features refers to the illustration of the product on the graphics pages.

- (1) Adjustable handle
- (2) Lawn trimming/edge cutting button
- (3) Lock-off button for On/Off switch
- (4) On/Off switch
- (5) Battery unlocking button
- (6) Battery^{A)}
- (7) Handle-adjustment release
- (8) Protection guard
- (9) Transport safety
- (10) Charger^{A)}
- (11) Spool cover
- (12) Spool
- (13) Hole for line wind-up
- (14) Hole for line guiding
- (15) Line-feed button

A) Accessories shown or described are not included with the product as standard. You can find the complete selection of accessories in our accessories range.

Technical Data

Lawn Trimmer/Lawn Edge Trimmer		EasyGrassCut 18-230	EasyGrassCut 18 EasyGrassCut 18-26 EasyGrassCut 18-260
		3 600 HC1 A..	3 600 HC1 C..
Article number			
Rated voltage ^{A)}	V	18	18
No-load speed ^{A)}	min ⁻¹	8500	8500
Cutting line diameter	mm	1.6	1.6
Cutting diameter	cm	23	26
Cutting spool capacity	m	4.0	4.0
Adjustable handle		●	●
Edge cutting		●	●
Weight according to EPTA-Procedure 01:2014 ^{A)}			
– without battery	kg	1.7	1.7
– with battery	kg	2.1	2.1
Serial number		see type plate on the garden product	
Recommended ambient temperature during charging	°C	0 ... +35	0 ... +35

Lawn Trimmer/Lawn Edge Trimmer		EasyGrassCut 18-230	EasyGrassCut 18
			EasyGrassCut 18-26
			EasyGrassCut 18-260
Permitted ambient temperature during operation ^{B)} and storage	°C	-20 ... +50	-20 ... +50
Battery		Li-Ion	Li-Ion
Rated voltage	V	18	18
Article number/Capacity			
- 2 607 337 187	Ah	1.5	1.5
- 2 607 337 211	Ah	2.0	2.0
- 2 607 337 199	Ah	2.5	2.5
- 1 607 A35 07H	Ah	4.0	4.0
- 1 607 A35 01Y	Ah	6.0	6.0
Number of battery cells			
- 2 607 337 187		5	5
- 2 607 337 211		5	5
- 2 607 337 199		5	5
- 1 607 A35 07H		10	10
- 1 607 A35 01Y		10	10

A) Depends on battery in use

B) Limited performance at temperatures <0 °C

Charger		AL 1810 CV	AL 1815 CV	AL 1830 CV	AL 1880 CV
Article number					
	EU	2 607 226 385	2 607 226 0..	2 607 225 965	2 607 226 1..
	UK	2 607 226 387	2 607 226 0..	2 607 225 967	2 607 226 1..
Charging current	A	1.0	1.5	3.0	8.0
Charging period (battery discharged)					
- Battery with 1.5 Ah	min	94	63	33	27
- Battery with 2.0 Ah	min	124	84	45	30
- Battery with 2.5 Ah	min	154	105	60	36
- Battery with 4.0 Ah	min	244	168	95	35
- Battery with 6.0 Ah	min	364	260	130	62
Weight according to EPTA-Procedure 01:2014	kg	0.17	0.38	0.40	0.60
Protection class		□ / II	□ / II	□ / II	□ / II

Noise/Vibration Information

		3 600 HC1 A..	3 600 HC1 C..
Noise emission values determined according to EN 50636-2-91 .			
Typically the A-weighted noise levels of the product are:			
- Sound pressure level	dB(A)	72	74
- Uncertainty K	dB	= 2.5	= 2.5
- Sound power level	dB(A)	82	85
- Uncertainty K	dB	= 1.0	= 1.0

Vibration total values ah (tri-ax vector sum) and uncertainty K determined according to EN 50636-2-91

- Vibration emission value a_h	m/s ²	< 2.5	< 2.5
- Uncertainty K	m/s ²	= 1.5	= 1.5

Mounting and Operation

Action	Figure	Page
Product features	A	46
Delivery scope	B	47
Removing the transport safety	C	47
Connecting the shaft	D	48
Adjusting the handle	E	48
Mounting the protection guard	F	49
Battery charging and inserting	G	50
Switching On and Off	H	50
Switching from lawn trimming/ edge cutting	I	51
Removing the line spool	J	52
Winding line on spool	K	52
Mounting the line spool	L	53
Line feeding	M	53
Maintenance, Cleaning and Storage	N	54
Accessories	O	55

Assembly

- ▶ **Caution:** Switch the garden tool off and pull the mains plug before performing any maintenance.

Connect shaft (see figures C and D)

Note: A connected shaft can no longer be dismantled.

Remove the transport safety (9).

Connect the individual parts of the shaft until they can be heard to engage.

Mounting and adjusting the handle (see figure E)

The handle (1) can be set to different positions. To change the adjustment, press buttons (7) and move the handle to the desired position. Release the buttons (7) again so that the handle can engage.

Mounting the protection guard (see figure F)

Before mounting the protective guard, pull the plant-protection frame from the delivery position to the storage position. Position the protection guard (8) on the trimmer head and fasten it with the provided screw.

Do not disassemble guard once connected.

Then, pull the plant-protection frame to the working position.

Switching on

- ▶ **Caution:** Switch garden tool off and remove battery from machine before adjusting or cleaning.
- ▶ **The cutting line continues to rotate for a few seconds after the trimmer is switched off. Allow the motor/cutting line to stop rotating before switching on again.**
- ▶ **Do not briefly switch off and on again several times in a row.**
- ▶ **Only use Bosch approved cutting elements. Cutting performance will vary with different cutting elements.**

Charging the Battery

The battery is equipped with temperature monitoring that allows charging only in the temperature range between 0 °C and 35 °C. In this manner, a high battery service life is achieved.

Note: The battery is supplied partially charged. To ensure full battery capacity, completely charge the battery in the battery charger before using for the first time.

The lithium-ion battery can be charged at any time without reducing its service life. Interrupting the charging procedure does not cause damage to the battery.

The “Electronic Cell Protection (ECP)” protects the lithium-ion battery against deep discharging. When the battery is empty, the product is switched off by means of a protective circuit: The product no longer operates.

Do not continue to press the On/Off switch after an automatic shut-off of the product. The battery could become damaged.

Observe the notes for disposal of the battery.

Inserting/Removing the Battery (see figure G)

Note: Using unsuitable batteries can lead to malfunctions or damage the machine.

Insert the charged battery (6). Ensure the battery is inserted correctly.

To remove the battery (6) from the machine, press the battery unlocking button (5) and pull the battery out.

Charging Procedure

The charging procedure starts as soon as the mains plug of the charger is plugged into a socket outlet and the battery (6) is inserted onto the charger (10).

Due to the intelligent charging method, the charging condition of the battery is automatically detected and the battery is charged with the optimum charging current, depending on battery temperature and voltage.

This gives longer life to the battery and always leaves it fully charged when kept in the charger for storage.

What the display elements mean (AL 1810 CV)

Flashing battery charge indicator



The charging process is indicated by the **flashing** of the battery charge indicator .

Solid light on battery charge indicator



A **solid light** on the battery charge indicator signals that the battery is fully charged or that the temperature of the battery is not within the permitted charging temperature range, and can therefore not be charged. The battery is charged as soon as the allowable charging temperature range is reached.

When the battery is not inserted, a **solid light** on the battery charge indicator signals that the mains plug is inserted in the plug socket and that the charger is ready for operation.

Understanding the Indicators (AL 1815 CV)

Flashing battery charge indicator



The charging process is indicated by the **flashing** of the battery charge indicator .

Continuous lighting of the battery charge indicator



Continuous lighting of the battery charge indicator indicates that the battery is fully charged or that the temperature of the battery is not within the allowable charging temperature range, and cannot be charged for this reason. The battery is charged as soon as the allowable charging temperature range is reached.

When the battery is not inserted, **continuous lighting** of the battery charge indicator indicates that the mains plug is inserted in the socket outlet and that the battery charger is ready for operation.

Meaning of the Indication Elements (AL 1830 CV)

(Fast) Flashing of the Green Battery Charge Indicator



The rapid-charging procedure is indicated by **fast flashing** of the **green** battery charge indicator .

Note: The rapid-charging procedure is only possible when the battery temperature is within the allowable charging temperature range, see section "Technical Data".

(Slow) Flashing of the Green Battery Charge Indicator



When the charging condition of the battery is 80%, the **green** battery charge indicator

flashes slowly.

The battery can be removed for immediate use.

Continuous Lighting of the Green Battery Charge Indicator



Continuous lighting of the **green** battery charge indicator indicates that the battery is fully charged.

When the battery is not inserted, **continuous lighting** of the battery charge indicator indicates that the mains plug is in-

serted in the socket outlet and that the battery charger is ready for operation.

Continuous Lighting of the Red Battery Charge Indicator



Continuous lighting of the **red** battery charge indicator indicates that the temperature of the battery is not within the allowable charging temperature range, see section "Technical Data". As soon as the allowable charging temperature range is reached, the battery charger automatically switches to rapid charging.

Flashing Red Battery Charge Indicator



A **flashing red** battery charge indicator indicates a different malfunction of the charging procedure, see section "Troubleshooting – Causes and Corrective Measures".

Operation

Switching On and Off (see figure H)

To **switch on**, firstly press the lock-off button (3). Then press the On/Off switch (4) and keep it pressed.

To **switch off**, release the On/Off switch (4).

Lawn Trimming/Edge Cutting (see figure I)

Turn the handle against the shaft by 180° to position the trimmer head either for lawn trimming or edge cutting. Release button (2) so that the turning mechanism engages. Now, turn the complete machine to the working position.

Lawn trimming

Move the trimmer left and right, keeping it well away from the body. Cut higher grass in steps.

Edge cutting

Guide the trimmer along the edge of the lawn. Avoid contact with solid surfaces or walls to prevent rapid wear of the cutting line.

Cutting around trees and bushes

Carefully cut around trees and bushes so that they do not come into contact with the cutting line. Plants can die if you damage the bark.

Dismounting the spool, winding up the cutting line and mounting the spool (see figures J to L)

- ▶ Remove the battery before replacing the spool.

Press both latches of the spool cover together and remove the spool cover (11). Afterwards, remove the empty spool (12).

Cut off approx. 4.0 m line from the refill roll. Slide one end of the cutting line into the hole for line wind-up (13) in the spool and wind up the cutting line uniformly and tightly.

Slide the other end of the cutting line through the hole for line guiding (14) in the trimmer head and mount the spool back into the trimmer head. Affix the spool by mounting the spool cover (11).

Line Feeding (see figure M)

Semi-automatic Line Feeding

The trimmer is equipped with a semi-automatic feeding system. The system feeds 10 mm of the line with every press of the on/off switch (4).

Manual Line Feeding

Press the line-feed button (15), and pull the cutting line out to the desired length.

Troubleshooting



Lawn Trimmer/Lawn Edge Trimmer

Problem	Possible Cause	Corrective Action
Motor refuses to start	Battery discharged	Recharge battery
	Battery too hot/cold	Allow to cool/warm
Garden tool functions intermittently	On/Off switch defective	Contact Bosch customer service agent
	Internal wiring of garden tool defective	Contact Bosch customer service agent
Garden product labours	Grass too high	Cut in stages
Garden tool does not cut	Cutting line too short/broken off	Manually feed cutting line
	Spool empty	Replace line spool
Cutting line can no longer be fed	Line inside the spool entangled	Inspect the spool, rewind if necessary
	Spool empty	Refill line spool
Cutting line retracts into spool	Cutting line too short/broken off	Remove spool – rethread line (see figures J – L)
Cutting line breaks frequently	Line inside the spool entangled	Remove spool – rewind line (see figures J – L)
	Trimmer used incorrectly	Only trim with the tip of the line, avoid stones, walls and other hard objects. Feed the line regularly to maintain full cutting diameter.
Heavy vibrations	Cutting line broken	Pull out cutting line with manual feed (see figure M)
	Cutting system damaged	Contact Bosch customer service agent
	Grass between spool housing and line-feed button	Disassemble spool cover and remove grass
	Grass in hole for line feed	Remove grass from hole for line feed

Battery and charger

Problem	Possible Cause	Corrective Action
Flashing red battery charge indicator	Battery not (properly) inserted	Properly insert battery in charger
	Battery contacts contaminated	Clean the battery contacts (e. g. by inserting and removing the battery several times) or replace the battery
No charging procedure possible	Battery defective	Replace the battery
	Mains plug of battery charger not plugged in (properly)	Insert mains plug (fully) into the socket outlet
Battery charge indicators do not light up	Socket outlet, mains cable or battery charger defective	Check the mains voltage; have the battery charger checked by an authorised after-sales service agent for Bosch power tools

After-sales Service and Application Service

www.bosch-garden.com

In all correspondence and spare parts orders, please always include the 10-digit article number given on the nameplate of the product.

Great Britain

Robert Bosch Ltd. (B.S.C.)
P.O. Box 98
Broadwater Park
North Orbital Road
Denham Uxbridge
UB 9 5HJ

At www.bosch-pt.co.uk you can order spare parts or arrange the collection of a product in need of servicing or repair.

Tel. Service: (0344) 7360109

E-Mail: boschservicecentre@bosch.com

Ireland

Origo Ltd.
Unit 23 Magna Drive
Magna Business Park
City West
Dublin 24

Tel. Service: (01) 4666700

Fax: (01) 4666888

Australia, New Zealand and Pacific Islands

Robert Bosch Australia Pty. Ltd.

Power Tools
Locked Bag 66
Clayton South VIC 3169
Customer Contact Center

Inside Australia:

Phone: (01300) 307044

Fax: (01300) 307045

Inside New Zealand:

Phone: (0800) 543353

Fax: (0800) 428570

Outside AU and NZ:

Phone: +61 3 95415555

www.bosch-pt.com.au

www.bosch-pt.co.nz

Republic of South Africa

Customer service

Hotline: (011) 6519600

Gauteng – BSC Service Centre

35 Roper Street, New Centre
Johannesburg

Tel.: (011) 4939375

Fax: (011) 4930126

E-Mail: bsctools@icon.co.za

KZN – BSC Service Centre

Unit E, Almar Centre
143 Crompton Street
Pinetown

Tel.: (031) 7012120

Fax: (031) 7012446

E-Mail: bsc.dur@za.bosch.com

Western Cape – BSC Service Centre

Democracy Way, Prosperity Park

Milnerton

Tel.: (021) 5512577

Fax: (021) 5513223

E-Mail: bsc@zsd.co.za

Bosch Headquarters

Midrand, Gauteng

Tel.: (011) 6519600

Fax: (011) 6519880

E-Mail: rbsa-hq.pts@za.bosch.com

Transport

The contained lithium-ion batteries are subject to the Dangerous Goods Legislation requirements. The batteries are suitable for road-transport by the user without further restrictions.

When shipping by third parties (e.g.: by air transport or forwarding agency), special requirements on packaging and labelling must be observed. For preparation of the item being shipped, consulting an expert for hazardous material is required.

Dispatch battery packs only when the housing is undamaged. Tape or mask off open contacts and pack up the battery in such a manner that it cannot move around in the packaging. Please also observe the possibility of more detailed national regulations.

Disposal



The garden product, batteries, accessories and packaging should be sorted for environmental-friendly recycling.



Do not dispose of garden products and batteries/rechargeable batteries into household waste!

Only for EC countries:

According to the European law 2012/19/EU, electrical and electronic equipments that are no longer usable, and according to the European law 2006/66/EC, defective or used battery packs/batteries, must be collected separately and disposed of in an environmentally correct manner.

Battery packs/batteries:

Li-Ion:

Please observe the instructions under Transport.

عربي

ملاحظات الأمان

تنبيه! اقرأ التعليمات التالية
بإمعان. تمرّس على استخدام
عناصر الاستخدام وعلى
الاستعمال المخصص للجهاز.
يرجى الاحتفاظ بتعليمات
التشغيل هذه بمكان آمن
للرجوع إليها في المستقبل.

شرح الرموز على جهاز الحديقة

ملاحظة خطر عامة.



اقرأ تعليمات
التشغيل هذه.



احرص على عدم إصابة
الأشخاص المتواجدين
بالجوار بسبب الأجسام
الخارجية المتطايرة.



تحذير: حافظ على مسافة
آمنة تبعدك عن الجهاز
عند التشغيل.



غير صحيح.



فك المركم قبل البدء
بأعمال الضبط أو التنظيف
بجهاز الحديقة أو إن بقي
جهاز الحديقة دون مراقبة لفترة
طويلة.



ارتدِ واقية سمع ونظارات
واقية.



لا تستعمل الجهاز أثناء
هطول الأمطار ولا تعرضه
للمطر.



كهربائية، إلى نشوب حريق و/أو الإصابة بجروح خطيرة.
احتفظ بجميع الملاحظات التحذيرية والتعليمات للمستقبل.

◀ يقصد بمصطلح «العدة الكهربائية» المستخدم في الملاحظات التحذيرية، العدد الكهربائية الموصولة بالشبكة الكهربائية (بواسطة كابل الشبكة الكهربائية) وأيضا العدد الكهربائية المزودة بمركم (دون كابل الشبكة الكهربائية).

الأمان بمكان الشغل

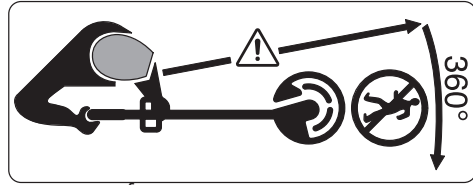
◀ **حافظ على نظافة مكان شغلك وإضاءته بشكل جيد.**
 الفوضى في مكان الشغل ونطاقات العمل غير المضاءة قد تؤدي إلى وقوع الحوادث.

◀ **لا تشتغل بالعدة الكهربائية في نطاق معرض لخطر الانفجار مثل الأماكن التي تتوفر فيه السوائل أو الغازات أو الأغبرة القابلة للاشتعال.** العدد الكهربائية تولد شررا قد يتطاير، فيشعل الأغبرة والأبفرة.

◀ **حافظ على بقاء الأطفال وغيرهم من الأشخاص بعيدا عندما تستعمل العدة الكهربائية.** تشتيت الانتباه قد يتسبب في فقدان السيطرة على الجهاز.

الأمان الكهربائي

◀ **يجب أن يتلائم قابس العدة الكهربائية مع المقبس. لا**



احرص على عدم إصابة الأشخاص المتواجدين بالجوار بسبب الأجسام الخارجية المتطايرة.

تحذير: حافظ على إبقاء الأشخاص على بعد آمن عن جهاز الحديقة إن كانوا واقفين على مقربة منه.

افحص المجال الذي تريد استخدام جهاز الحديقة فيه جيدا للتأكد من عدم وجود الحيوانات المتوحشة

والمنزلية فيه. وجود احتمال جرح الحيوانات المتوحشة والمنزلية أثناء تشغيل الجهاز. افحص مجال استخدام الجهاز جيدا وقم بإزالة جميع الأحجار وعيدان الخشب والأسلاك والعظام والأجسام الغريبة. عند استخدام الجهاز، تأكد من عدم وجود الحيوانات المتوحشة والمنزلية وجذوع الأشجار الصغيرة في العشب الكثيف.

الإرشادات العامة للأمان بالعدد الكهربائية

◀ **اطلع على كافة تحذيرات الأمان والتعليمات والصور والمواصفات المرفقة بالعدة الكهربائية.** عدم اتباع التعليمات الواردة أدناه قد يؤدي إلى حدوث صدمة

◀ إن لم يكن بالإمكان تجنب تشغيل العدة الكهربائية في الأجواء الرطبة، فاستخدم مفتاح للوقاية من التيار المتخلف. إن استخدام مفتاح للوقاية من التيار المتخلف يقلل خطر الصدمات الكهربائية.

أمان الأشخاص

◀ كن يقظا وانتبه إلى ما تفعله واستخدم العدة الكهربائية بتعقل. لا تستخدم عدة كهربائية عندما تكون متعبا أو عندما تكون تحت تأثير المخدرات أو الكحول أو الأدوية. عدم الانتباه للحظة واحدة عند استخدام العدة الكهربائية قد يؤدي إلى إصابات خطيرة.

◀ قم لارتداء تجهيزات الحماية الشخصية. وارتد دائما نظارات واقية. يحد ارتداء تجهيزات الحماية الشخصية، كقناع الوقاية من الغبار وأحذية الأمان الواقية من الانزلاق والخوذ أو واقية الأذنين، حسب ظروف استعمال العدة الكهربائية، من خطر الإصابة بجروح.

◀ تجنب التشغيل بشكل غير مقصود. تأكد من كون العدة الكهربائية مطفأة قبل توصيلها بالتيار الكهربائي و/أو بالمركم، وقبل رفعها أو حملها. إن كنت تضع إصبعك على المفتاح أثناء حمل العدة الكهربائية أو إن وصلت الجهاز بالشبكة الكهربائية بينما لا مفتاح

يجوز تغيير القابس بأي حال من الأحوال. لا تستعمل القوابس المهيأة مع العدد الكهربائية المؤرضة (ذات طرف أرضي). تخفّض القوابس التي لم يتمّ تغييرها والمقابس الملائمة من خطر الصدمات الكهربائية.

◀ تجنب ملامسة جسمك للأسطح المؤرضة كالأنابيب والمبردات والمواقد أو الثلاجات. يزداد خطر الصدمات الكهربائية عندما يكون جسمك مؤرّض أو موصل بالأرضي.

◀ أبعد العدة الكهربائية عن الأمطار أو الرطوبة. يزداد خطر الصدمات الكهربائية إن تسرب الماء إلى داخل العدة الكهربائية.

◀ لا تسئ استعمال الكابل. لا تستخدم الكابل في حمل العدة الكهربائية أو سحبها أو سحب القابس من المقبس. احرص على إبعاد الكابل عن الحرارة والزيت والحواف الحادة أو الأجزاء المتحركة. تزيد الكابلات التالفة أو المتشابكة من خطر الصدمات الكهربائية.

◀ عند استخدام العدة الكهربائية خارج المنزل اقتصر على استخدام كابلات التمديد الصالحة للاستعمال الخارجي. يقلل استعمال كابل تمديد مخصص للاستعمال الخارجي من خطر الصدمات الكهربائية.

- حسن معاملة واستخدام العدد الكهربائية**
- ◀ لا تفرط بتحميل الجهاز. استخدم لتنفيد أشغالك
 - العدة الكهربائية المخصصة لذلك. إنك تعمل بشكل أفضل وأكثر أماناً بواسطة العدة الكهربائية الملائمة في مجال الأداء المذكور.
 - ◀ لا تستخدم العدة الكهربائية إن كان مفتاح تشغيلها تالف. العدة الكهربائية التي لم يعد من الممكن التحكم بها عن طريق مفتاح التشغيل والإطفاء تعتبر خطيرة ويجب أن يتم إصلاحها.
 - ◀ اسحب القابس من المقبس و/أو اخلع المرمك، إذا كان قابلاً للخلع، قبل ضبط الجهاز وقبل استبدال الملحقات أو قبل تخزين الجهاز. تمنع هذه الإجراءات وقائية تشغيل العدة الكهربائية بشكل غير مقصود.
 - ◀ احتفظ بالعدد الكهربائية التي لا يتم استخدامها بعيداً عن متناول الأطفال. لا تسمح باستخدام العدة الكهربائية لمن لا خبرة له بها أو لمن لم يقرأ تلك التعليمات. العدد الكهربائية خطيرة إن تم استخدامها من قبل أشخاص دون خبرة.
 - ◀ اعتن بالعدة الكهربائية والملحقات بشكل جيد. تأكد أن أجزاء الجهاز المتحركة مركبة بشكل سليم وغير مستعصية عن الحركة،
- على وضع التشغيل، قد يؤدي إلى وقوع الحوادث.
- ◀ انزع أداة الضبط أو مفتاح الربط قبل تشغيل العدة الكهربائية. قد تؤدي الأداة أو المفتاح المتواجد في جزء دوار من الجهاز إلى الإصابة بجروح.
 - ◀ تجنب أوضاع الجسم غير الطبيعية. قف بأمان وحافظ على توازنك دائماً. سيسمح لك ذلك بالتحكم في الجهاز بشكل أفضل في المواقف الغير متوقعة.
 - ◀ قم بارتداء ثياب مناسبة. لا ترتد الثياب الفضفاضة أو الحلى. احرص على إبقاء الشعر والملابس بعيداً عن الأجزاء المتحركة. قد تشابك الثياب الفضفاضة والحلى والشعر الطويل بالأجزاء المتحركة.
 - ◀ إن جاز تركيب تجهيزات شفط وتجميع الغبار، فتأكد من أنها موصولة وبأنه يتم استخدامها بشكل سليم. قد يقلل استخدام تجهيزات لشفط الغبار من المخاطر الناتجة عن الغبار.
 - ◀ لا تستخدم العدة الكهربائية بلا مبالاة وتجاهل قواعد الأمان الخاصة بها نتيجة لتعودك على استخدام العدة الكهربائية وكثرة استخدامها. فقد يتسبب الاستخدام دون حرص في حدوث إصابة بالغة تحدث في أجزاء من الثانية.

- قبل فحص، تنظيف أو تنفيذ الأعمال على الجهاز
- في حالة ضرب الجهاز بقطعة غريبة. في هذه الحالة تأكد أيضاً من عدم تلف الجهاز.
- إذا بدأ الجهاز بالاهتزاز فجأة. في هذه الحالة افحص الجهاز.

◀ اشحن المراكم فقط بأجهزة

- الشحن التي ينصح المنتج باستخدامها. يتشكل خطر الاحتراق لجهاز الشحن المخصص لنوع معين من المراكم إن تم استخدامه مع نوع آخر منها.

◀ استخدم الأجهزة فقط مع

- المراكم المصممة لهذا الغرض. قد يؤدي استخدام غيرها من المراكم إلى الاحتراق وإلى خطر اندلاع النار.

◀ حافظ على إبعاد المركم

- الذي لا يتم استعماله عن مشابك الورق وقطع النقود المعدنية والمفاتيح والمسامير واللواكب أو غيرها من الأغراض المعدنية

- الصغيرة التي قد تقوم بتوصيل الملامسين ببعضهما البعض. قد يؤدي تقصير الدارة الكهربائية بين ملامسي المركم إلى الاحتراق أو إلى اندلاع النار.

◀ قد يتسرب السائل من

- المركم عند سوء الاستعمال. تجنب ملامسته. اشطفه بالماء عند ملامسته صدفة. راجع الطبيب إضافة عن ذلك إن وصل السائل إلى العينين. إن

- سائل المراكم المتسرب قد يؤدي إلى إثارة البشرة أو إلى الحروق.

- وتفحص ما إن كانت هناك أجزاء مكسورة أو في حالة تؤثر على سلامة أداء العدة الكهربائية. ينبغي إصلاح هذه الأجزاء التالفة قبل إعادة تشغيل الجهاز. الكثير من الحوادث مصدرها العدد الكهربائية التي تتم صيانتها بشكل رديء.

◀ احرص على إبقاء عدد القطع

- نظيفة وحادة. إن عدد القطع ذات حواف القطع الحادة التي تم صيانتها بعناية تتكلم بشكل أقل ويمكن توجيهها بشكل أيسر.

◀ استخدم العدد الكهربائية

- والتوابع وريش الشغل إلخ. وفقاً لهذه التعليمات. تراعى أثناء ذلك ظروف الشغل والعمل المراد تنفيذه. استخدام العدد الكهربائية لغير الأشغال المخصصة لأجلها قد يؤدي إلى حدوث الحالات الخطيرة.

◀ احرص على إبقاء المقابض

- وأسطح المسك جافة ونظيفة وخالية من الزيوت والشحوم. المقابض وأسطح المسك الزلقة لا تتيح التشغيل والتحكم الآمن في العدة في المواقف غير المتوقعة.

حسن معاملة واستخدام

العدد المزودة بمركم

فك المركم:

- إذا ترك المستخدم الجهاز
- قبل تصليح أية إعاقة

ملاحظات الأمان لجهاز الحديقة

التشغيل

- ◀ يجوز أن يتم تشغيل الجهاز من قبل المستخدم فقط طبقاً للاستعمال المخصص. ينبغي مراعاة ظروف مكان التشغيل. انتبه إلى الأشخاص الآخرين ولا سيما الأطفال أثناء أداء العمل.
- ◀ لا تسمح للأطفال أو للأشخاص ذوي المقدرات الجسدية أو الحسية أو العقلية المحدودة أو القليلي الخبرة و/أو المعدومي المعرفة و/أو للأشخاص الغير مطلعين على التعليمات هذه أبداً أن يستعملوا الجهاز. يجوز أن تحد الأحكام الوطنية من سن المستخدم.
- ◀ ينبغي مراقبة الأطفال لضمان عدم لعبهم بالجهاز.

الاستخدام

- ◀ امسك جهاز الحديقة أثناء العمل بواسطة كلتا اليدين واحرص على الوقوف بثبات. يتم توجيه جهاز الحديقة بواسطة اليدين الاثنتين بأمان أكبر.
- ◀ انتظر ليتوقف جهاز الحديقة عن الحركة قبل أن تركنه.
- ◀ لا تشغل جهاز الحديقة أبداً إذا كان غطاء الوقاية أو الأغشية الأخرى تالفة أو بدون تجهيزات الأمان. انتبه لتركيبها الصحيح. لا تستخدم جهاز الحديقة أبداً إذا كان غير كاملاً أو إذا تمت التغييرات غير المسموحة عليه.
- ◀ لا تقوم بتشغيل الجهاز إن كان الكبل تالف أو مستهلك.

◀ لا تستخدم عدة أو مركب تعرضاً لأضرار أو للتعديل.

البطاريات المتعرضة لأضرار أو لتعديلات قد ينتج عنها أشياء لا يمكن التنبؤ بها، قد تسبب نشوب حريق أو حدوث انفجار أو إصابات.

◀ لا تعرض المركب أو العدة لنار

أو درجة حرارة زائدة. التعرض للنار أو لحرارة أعلى من 130 درجة مئوية قد يتسبب في الانفجار.

◀ اتبع تعليمات الشحن ولا تقم

بشحن المركب أو العدة خارج نطاق درجة الحرارة المحدد في التعليمات. الشحن بشكل غير صحيح أو في درجات حرارة خارج النطاق المحدد قد يعرض المركب لأضرار ويزيد من مخاطر الحريق.

الخدمة

- ◀ احرص على إصلاح عدتك الكهربائية فقط بواسطة العمال المتخصصين وباستعمال قطع الغيار الأصلية فقط. يضمن ذلك المحافظة على أمان الجهاز.
- ◀ لا تقم بإجراء أعمال خدمة على المراكم التالفة. أعمال الخدمة على المراكم يجب أن تقوم بها الجهة الصانعة فقط أو مقدم الخدمة المعتمد.

- ◀ لا تستبدل أبداً عناصر القص غير المعدنية بعناصر قص معدنية.
 - ◀ لا تقوم بأعمال التصليح على جهاز الحديقة بنفسك إلا إذا كنت مؤهل لهذا النوع من الأعمال.
 - ◀ عند استخدام الجهاز يجب ان يبقى الأشخاص الآخريين والحيوانات على بعد مناسب عنه. المستخدم مسؤول عن الأطراف الثالثة في مجال العمل.
 - ◀ انتظر إلى أن يتوقف رأس القص عن الحركة بشكل كامل قبل أن تلمسه. يتابع رأس القص دورانه بعد الإطفاء وقد يؤدي إلى حدوث الإصابات.
 - ◀ اشتغل أثناء ضوء النهار فقط أو بالإضاءة الاصطناعية الجيدة.
 - ◀ لا تشتغل بواسطة مشدبة العشب إن كانت ظروف الطقس رديئة ولا سيما عند بدء العواصف.
 - ◀ استخدام مشدبة العشب للعشب الرطب قد يؤثر على قدرة عمل المشدبة.
 - ◀ عند النقل اطفئ جهاز الحديقة وفك المرمك.
 - ◀ عند العمل بالمشدبة تأكد دائماً من مكان وقوفك الأمين.
 - ◀ احتفظ بيديك وقدميك على بعد أمين من الأجزاء الدوارة.
 - ◀ كن في وضع متوازن عند العمل من أجل تجنب السقوط.
 - ◀ انتبه الا تتعثر على جهاز الحديقة عندما تضعه على الأرض.
 - ◀ فك المرمك قبل استبدال الليفة.
 - ◀ افحص وصن المشدبة بشكل منتظم.
 - ◀ ارتد قفازات واقية دائماً عند تنظيف الجهاز وعند استبدال خيط القص.
 - ◀ احذر من الإصابة بالجروح من السكينة التي يتم قطع الخيط بها. اقل المشدبة بعد الملئ/ التغذية بخيط القص دائماً إلى وضع العمل الأفقي قبل أن تقوم بتشغيلها.
 - ◀ اطفئ جهاز الحديقة وفك المرمك:
 - دائماً إن كنت ستترك جهاز الحديقة لبعض الوقت بلا مراقبة
 - قبل استبدال الليفة
 - قبل التنظيف أو إن كانت هناك أعمال ستنم على مشدبة العشب
 - قبل تخزين مشدبة العشب
 - ◀ احتفظ بالجهاز بمكان جاف ومغلق وبعيدا عن منال الأطفال. لا تركز أية أغراض أخرى على الجهاز.
 - ◀ لا تستخدم الجهاز باعتباره عصاً.
- ملاحظات لمعاملة المرمك بشكل مثالي**
- ◀ لا تفتح المرمك. يتشكل خطر تقصير الدائرة الكهربائية.
- احم المرمك من الحرارة، بما فيه أيضا التعرض لأشعة الشمس**
- باستمرار مثلا ومن النار، والماء**

احتفظ بجميع ملاحظات الأمان و التعليمات للمستقبل.

◀ استخدم جهاز الشحن فقط إن كان بإمكانك أن تقدر كامل وظائفه بشكل تام وكان بإمكانك إن تنفيذها كاملة وكنتم قد استلمت التعليمات الموافقة.

◀ لا تسمح للأطفال أو للأشخاص ذوي المقدرات الجسدية أو الحسية أو العقلية المحدودة أو القليلي الخبرة و/أو المعدومي المعرفة و/أو للأشخاص الغير مطلعين على التعليمات هذه أبدا أن يستعملوا جهاز الشحن. يجوز أن تحد الأحكام الوطنية من سن المستخدم.

◀ **راقب الأطفال.** لضمان عدم عبث الأطفال بجهاز الشحن.

◀ لا تشحن إلا مراكم أيونات الليثيوم من Bosch بدءاً من السعة 1,5 أمبير ساعة (بدءاً من 5 خلايا مراكم). يجب أن يلائم جهد المراكم جهد شحن المراكم الخاص بجهاز الشحن. لا تقم بشحن مراكم غير قابلة لإعادة الشحن. يتشكل خطر نشوب الحرائق والانفجار في حال عدم التقيد بذلك.

احم جهاز الشحن من الأمطار والرطوبة. يزيد تسرب الماء إلى داخل جهاز الشحن من أخطار الصدمات الكهربائية.

◀ **حافظ على نظافة جهاز الشحن.** حيث يكون هناك خطر

والرطوبة. قد يتشكل خطر الانفجار.

◀ **قد تتسرب الأبخرة عند تلف المركم واستخدامه بطريقة غير سليمة.** أمن امداد المكان بالهواء النقي وراجع الطبيب في حال الإصابة. إن الأبخرة قد تهيج المجاري التنفسية.

◀ **اقتصر على استخدام المركم في منتجات الجهة الصانعة.** يتم حماية المركم من فرط التحميل الخطير بهذه الطريقة فقط دون غيرها.

◀ **يمكن أن يتعرض المركم لأضرار من خلال الأشياء المدببة مثل المسامير والمفكات أو من خلال تأثير القوى الخارجية.** وقد يؤدي هذا إلى تقصير الدائرة

الكهربائية الداخلية واحتراق المركم وأخروج الأدخنة منه أو انفجاره وتعرضه لسخونة مفرطة.

◀ **لا تقوم بتقصير الدارة الكهربائية بالمركم.** يتشكل خطر الانفجار.

◀ نظف شقوق التهوية بالمركم من فترة لأخرى بواسطة فرشاة طرية ونظيفة وجافة.

تعليمات الأمان لأجهزة الشحن

اقرأ جميع ملاحظات الأمان و التعليمات. إن التقصير عند تطبيق

ملاحظات الأمان و التعليمات قد يؤدي إلى الصدمات الكهربائية واندلاع الحرائق و/أو الإصابة بجروح خطيرة.

الرمز	المعنى
	اتجاه الحركة
	جهة رد الفعل
	ارتد قفازات واقية
	الوزن
	التشغيل
	الإطفاء
	تصرف مسموح
	عمل ممنوع
CLICK!	الصوت المسموع
	التوايح/قطع الغيار

الاستعمال المخصص

تم تصميم جهاز الحديقة للاستخدام المنزلي لتشذيب العشب والحشيش والقراص. تم تطويره لتشذيب العشب الموجود على المنحدرات وتحت المواجه وفي المافات، أي الأماكن التي لا يمكن الوصول إليها بماكينة المش. لم يتم تصميم جهاز الحديقة للاستخدام باعتباره ممشة آلية. لم يُصنع جهاز الحديقة للاستخدام التجاري أو الصناعي.

نطاق التوريد (راجع الصورة B)

أخرج جهاز الحديقة من التغليف بحذر وافحص إن كانت القطع التالية كاملة:

- مشدبة العشب
 - غطاء الوقاية
 - المركم**
 - جهاز الشحن**
 - تعليمات التشغيل
- يرجى الاتصال بالتاجر إن كانت بعض القطع غير موجودة أو تالفة.
** حسب البلد

الأجزاء المصورة (راجع الصورة

(A)

يستند ترقيم الأجزاء المصورة إلى رسوم الجهاز الموجودة في صفحات الرسوم التخطيطية.

- (1) مقبض يدوي قابل للضبط
- (2) زر تشذيب العشب/قص حافات العشب

حدوث صدمة كهربائية من جراء تعرضها للتساخ.

◀ قبل الاستخدام افحص جهاز

الشحن والكابل والقابس. لا

تستخدم جهاز الشحن إذا

اكتشفت وجود أضرار به. لا

تفتح جهاز الشحن بنفسك ولا

تقم بإصلاحه إلا لدى فنيين

متخصصين مؤهلين مع

الاقتصار على استخدام قطع

الغيار الأصلية. يزداد خطر

الإصابة بصدمة كهربائية في حالة

وجود أضرار بأجهزة الشحن

والكابلات الكهربائية والقوالب.

◀ لا تقم بتشغيل جهاز الشحن

على أرضية سهلة الاشتعال

(مثل الورق والمنسوجات

وما شابه) أو في بيئة قابلة

للاشتعال. حيث ينشأ خطر اندلاع

حريق نتيجة للسخونة المتولدة

بجهاز الشحن عند الشحن.

◀ لا تغطي فتحة تهوية جهاز

الشحن. يمكن أن يتعرض جهاز

الشحن لسخونة مفرطة ولا يعمل

بعد ذلك بشكل سليم.

◀ لزيادة الأمان الكهربائي ننصح

باستخدام قاطع أمان للتيار

الكهربائي يفصل عند حد أقصى

30 ميلي أمبير في حال ارتفاع

قيمة التيار بالخطأ. افحص قاطع

الأمان للتيار دائماً قبل

الاستعمال.

الرموز

قد تكون الرموز التالية ذات أهمية من أجل قراءة

وفهم تعليمات التشغيل. يرجى حفظ الرموز ومعناها.

يساعدك تفسير الرموز بشكل صحيح على استعمال

الجهاز بطريقة أفضل وأكثر أماناً.

- | | |
|---|--------------------------------------|
| (11) غطاء الليفة | (3) قفل تشغيل مفتاح التشغيل والإطفاء |
| (12) الليفة | (4) مفتاح التشغيل والإطفاء |
| (13) فتحة إدخال الخيط | (5) زر فك إقفال المرمك |
| (14) فتحة توجيه الخيط | (6) مرمك ^(A) |
| (15) زر إطلاق التغذية بالخيط | (7) فك إقفال ضبط المقبض اليدوي |
| (A) لا يتضمن إطار التوريد الاعتيادي التوابع المصورة أو المشروحة. تجد التوابع الكاملة في برنامجنا للتوابع. | (8) غطاء الوقاية |
| | (9) تأمين النقل |
| | (10) جهاز الشحن ^(A) |

البيانات الفنية

EasyGrassCut 18	EasyGrassCut 18-230	مشدبة العشب/مشدبة حافات العشب	
EasyGrassCut 18-26	EasyGrassCut 18-260		
3 600 HC1 C..	3 600 HC1 A..	رقم الصنف	
18	18	فولط	الجهد الاسمي ^(A)
8500	8500	دقيقة ¹	عدد الدوران اللاحملي ^(A)
1,6	1,6	ملم	قطر خيط القص
26	23	سم	قطر دائرة القص
4,0	4,0	متر	سعة ليفة الخيط
●	●		مقبض يدوي قابل للضبط
●	●		تشذيب حافات العشب
			الوزن حسب EPTA-Procedure ^{(A)01:2014}
1,7	1,7	كغ	- دون مرمك
2,1	2,1	كغ	- مع المرمك
راجع لافتة الطراز على جهاز المديقة			الرقم المتسلسل
35+ ... 0	35+ ... 0	درجة مئوية	درجة الحرارة المحيطة الموصى بها عند الشحن
50+ ... 20-	50+ ... 20-	درجة مئوية	درجة الحرارة المحيطة المسموح به عند التشغيل ^(B) وعند التخزين
أيونات الليثيوم			مرمك
18	18	فولط	الجهد الاسمي
			رقم الصنف/السعة
1,5	1,5	أمبير ساعة	- 2 607 337 187
2,0	2,0	أمبير ساعة	- 2 607 337 211
2,5	2,5	أمبير ساعة	- 2 607 337 199
4,0	4,0	أمبير ساعة	- 1 607 A35 07H
6,0	6,0	أمبير ساعة	- 1 607 A35 01Y
			عدد خلايا المرمك
5	5		- 2 607 337 187
5	5		- 2 607 337 211
5	5		- 2 607 337 199
10	10		- 1 607 A35 07H

EasyGrassCut 18	EasyGrassCut 18-230	مشدبة العشب/مشدبة حافات العشب
EasyGrassCut 18-26		
EasyGrassCut 18-260		
10	10	1 607 A35 01Y -

(A) حسب المرمك المُستخدَم
(B) قدرة محدودة في درجات الحرارة > 0°م

AL 1880 CV	AL 1830 CV	AL 1815 CV	AL 1810 CV	جهاز الشحن
2 607 226 1..	2 607 225 965	2 607 226 0..	2 607 226 385	رقم الصنف
2 607 226 1..	2 607 225 967	2 607 226 0..	2 607 226 387	EU
8,0	3,0	1,5	1,0	UK
				تيار الشحن
				A
				مدة الشحن (تفريغ المرمك)
27	33	63	94	د
				- مرمك بقدرة 1,5 أمبير ساعة
30	45	84	124	د
				- مرمك بقدرة 2,0 أمبير ساعة
36	60	105	154	د
				- مرمك بقدرة 2,5 أمبير ساعة
35	95	168	244	د
				- مرمك بقدرة 4,0 أمبير ساعة
62	130	260	364	د
				- مرمك بقدرة 6,0 أمبير ساعة
0,60	0,40	0,38	0,17	كغ
				الوزن حسب EPTA- Procedure 01:2014
II/□	II/□	II/□	II/□	فئة الوقاية

التركيب

◀ تنبيه: اطفئ جهاز الحديقة واسحب قابس الشبكة الكهربائية قبل البدء بأعمال التركيب.

تركيب الساق (راجع الصورتين C و D)

ملحوظة: لا يمكن فك الساق المركبة.

قم بإزالة تأمين النقل (9).

ركب أجزاء الساق المفردة ببعضها البعض حتى تسمع صوت الإقفال.

تركيب وضبط المقبض اليدوي (راجع الصورة E)

يمكن ضبط المقبض اليدوي (1) في أوضاع مختلفة. لتغيير الضبط اضغط الأزرار (7) وحرك المقبض إلى الوضع المطلوب. اترك الأزرار (7) مرة أخرى حتى يقفل المقبض في مكانه.

تركيب غطاء الوقاية (راجع الصورة F)

قبل تركيب غطاء الوقاية، اسحب قوس وقاية النباتات من وضع التسليم وضعه في وضع التخزين. ضع غطاء الوقاية (8) على رأس المشدبة وثبته باللولب المتوفر معه والمسلم ضمن نطاق التسليم.

التركيب والتشغيل

الصفحة	الصورة	هدف العمل
46	A	الأجزاء المصورة
47	B	نطاق التوريد
47	C	إزالة تأمين النقل
48	D	تركيب الساق
48	E	ضبط المقبض اليدوي
49	F	تركيب غطاء الوقاية
50	G	شحن وتركيب المرمك
50	H	التشغيل والإطفاء
51	I	التحويل إلى تشذيب العشب/قص حافات العشب
52	J	فك لفيفة الخيط
52	K	لف الخيط على لفيفة الخيط
53	L	تركيب لفيفة الخيط
53	M	إطلاق التغذية بالخيط
54	N	الصيانة، التنظيف والتخزين
55	O	التوابع

معنى عناصر المؤشر

الإضاءة الومضة لمؤشر شحن المرمك

تتم الإشارة إلى عملية الشحن من خلال وميض مؤشر شحن المرمك .



الإضاءة المستمرة لمؤشر شحن المرمك

تشير الإضاءة المستمرة لمؤشر شحن المرمك إلى اكتمال شحن المرمك أو إلى أن درجة حرارة المرمك خرجت عن نطاق درجة الحرارة المسموح به وبالتالي لا يمكن شحنه. يتم شحن المرمك فور الوصول إلى نطاق درجة الحرارة المسموح. قبل إدخال المرمك بشير الضوء المستمر لمؤشر شحن المرمك إلى أنه قد تم توصيل قابس الشبكة الكهربائية بالمقبس وأن جهاز الشحن جاهز للتشغيل.



معنى عناصر البيان (AL 1815 CV)

الإضاءة الومضة لمؤشر شحن المرمك

تتم الإشارة إلى عملية الشحن من خلال وميض مؤشر شحن المرمك .



الإضاءة المستمرة لمؤشر شحن المرمك

تشير الإضاءة المستمرة لمؤشر شحن المرمك إلى اكتمال شحن المرمك أو إلى أن درجة حرارة المرمك خرجت عن نطاق درجة الحرارة المسموح به وبالتالي لا يمكن شحنه. يتم شحن المرمك فور الوصول إلى نطاق درجة الحرارة المسموح. قبل إدخال المرمك بشير الضوء المستمر لمؤشر شحن المرمك إلى أنه قد تم توصيل قابس الشبكة الكهربائية بالمقبس وأن جهاز الشحن جاهز للتشغيل.



معنى عناصر البيان (AL 1830 CV / AL 1880 CV)

الضوء الومض السريع للمؤشر الأخضر لشحن المرمك

تتم الإشارة إلى عملية الشحن السريع من خلال الوميض السريع للمؤشر الأخضر لشحن المرمك .



إرشاد: يمكن إجراء عملية الشحن السريع فقط عندما تقع درجة حرارة المرمك داخل نطاق درجة حرارة الشحن. راجع فقرة «البيانات الفنية».

الضوء الومض (البيئي) للمؤشر الأخضر لشحن المرمك

عندما تبلغ حالة شحن المرمك حوالي 80% **80% GO** يومض المؤشر الأخضر لشحن المرمك ببطء.



يمكن إخراج المرمك واستخدامه مباشرة.

الإضاءة المستمرة للمؤشر الأخضر لشحن المرمك

تشير الإضاءة المستمرة للمؤشر الأخضر لشحن المرمك إلى اكتمال شحن المرمك. قبل إدخال المرمك بشير الضوء المستمر لمؤشر شحن المرمك إلى أنه قد تم توصيل قابس الشبكة الكهربائية بالمقبس وأن جهاز الشحن جاهز للتشغيل.



إن كان قد تم تركيب غطاء الوقاية، فلا يجوز أن يتم فكّه بعد ذلك. ثم اسحب قوس وقاية النباتات إلى وضع العمل.

بدء التشغيل

- ◀ تنبيه: اطفئ جهاز الحديقة وفك المرمك قبل تنفيذ أعمال الضبط والتنظيف.
- ◀ يتابع خيط القص دورانه لعدة ثوان بعد إطفاء مشدبة العشب. انتظر إلى أن يتوقف المرمك/ خيط القص عن الحركة، قبل إعادة تشغيل مشدبة العشب.
- ◀ لا تقوم بعمليات التشغيل والإطفاء عدة مرات بلحظات قليلة.
- ◀ نصح باستخدام عناصر القص المرخصة من قبل شركة بوش. قد تختلف نتائج القص عند استخدام غيرها من عناصر القص.

شحن المرمك

لقد تم تجهيز المرمك بمراقب حراري وهو يسمح بالشحن فقط ضمن مجال حراري يبلغ بين 0 درجة مئوية و 35 درجة مئوية. ويؤدي ذلك إلى مدة صلاحية عالية للمرمك.

ملاحظة: يتم تسليم المرمك وهو بحالة شحن جزئية. اشحن المرمك في جهاز الشحن بشكل كامل قبل الاستعمال الأول لضمان قدرة المرمك الكاملة. يمكن شحن مرمك إيونات الليثيوم في أي وقت دون الحد من فترة صلاحيته. إن قطع عملية الشحن لا يسبب الأضرار بالمركم.

لقد تم وقاية مرمك إيونات الليثيوم من التفرغ العميق بواسطة "واقية الخلايا الإلكترونية (Electronic Cell Protection) (ECP)". يتم إطفاء المرمك بواسطة مفتاح وقائي عند تفرغ المرمك: لن يعد يعمل جهاز الحديقة.

لا تتابع الضغط على مفتاح التشغيل والإطفاء بعد انطفاء الجهاز بشكل آلي. فقد يتعرض المرمك لأضرار.

تُراعى الملاحظات بصدد التخلص من المرمك.

تركيب وفك المرمك (راجع الصورة G)

ملحوظة: يمكن ان يؤدي استخدام المراكم الغير مناسبة إلى عمل الجهاز بشكل غير صحيح أو إلى تلف الجهاز.

ركب المرمك المشحون (6). احرص على تعاشق واستقرار المرمك بصورة تامة.

لفك المرمك (6) عن الجهاز، اضغط زر الفك (5) واسحب المرمك من مكانه.

عملية الشحن

تبدأ إجراءات الشحن فور وصل قابس الشاحن بالمقبس وبعد ذلك وضع المرمك (6) في جهاز الشحن (10) .

يتم كشف حالة شحن المرمك بشكل آلي من خلال إجراءات الشحن الذكية، ليتم شحنه بتيار الشحن الملائم اعتماداً على درجة حرارة وجهد المرمك.

يؤدي ذلك إلى صيانة المرمك، فيبقى مشحوناً بشكل كامل دائماً عند الاحتفاظ به في جهاز الشحن.

الانتباه إلى المحافظة على إبقائها على بعد كاف عن جسدك. قص الأعشاب الطويلة على مراحل متعددة.

قص حافات العشب

وجه مشدبة العشب على مسار حافات العشب. تجنب الاحتكاك بالسطوح الصلبة أو الأسوار من أجل منع الخيط من الاستهلاك السريع.

قص حول الأشجار والجنبا

قص حول الأشجار والجنبا بحذر حتى لا تتلامس مع الخيط. إن النباتات قد تموت إن تم إتلاف قشرتها.

فك الليفة، لف الخيط وتركيب الليفة (راجع الصور J إلى L)

◀ فك المرمك قبل استبدال الليفة.

اضغط القفلين الموجودين على غطاء الليفة باتجاه بعضهما البعض وانزع غطاء الليفة (11). ثم انزع الليفة الفارغة (12).

قص 4 م تقريباً من الخيط عن ليفة التعبئة. قم بإدخال طرف واحد من الخيط في فتحة إدخال الخيط (13) الموجودة في الليفة ولف الخيط بشكل متساو ومشدود.

قم بتمرير الطرف الآخر للخيط بالفتحة (14) الموجودة في رأس المشدبة اعد وضع الليفة في رأس المشدبة. ثبت الليفة عن طريق تركيب غطاها (11).

إطلاق التغذية بالخيط (راجع الصورة M)

إطلاق التغذية بالخيط بشكل شبه أوتوماتيكي

مشدبة العشب مجهزة بنظام تغذية شبه أوتوماتيكي. يخرج النظام 10 مم من الخيط مع كل ضغط على مفتاح التشغيل/الإطفاء (4).

التغذية اليدوية بالخيط

اضغط على الزر (15) واسحب الخيط بالطول المطلوب.

الضوء المستمر للمؤشر الأحمر لشحن المرمك

تشير الإضاءة المستمرة للمؤشر الأحمر لشحن المرمك إلى أن درجة حرارة المرمك خارج النطاق المسموح لدرجة حرارة الشحن، انظر فقرة «المواصفات الفنية». بمجرد الوصول إلى نطاق درجة الحرارة المسموح به، ينتقل جهاز الشحن أوتوماتيكياً إلى الشحن السريع.

الإضاءة الومضة للمؤشر الأحمر لشحن المرمك

تشير الإضاءة الومضة للمؤشر الأحمر لشحن المرمك إلي وجود خلل آخر في عملية الشحن، انظر فقرة «الأخطاء - الأسباب والعلاج».

التشغيل

التشغيل/الإطفاء (راجع الصورة H)

للتشغيل اضغط على قفل التشغيل أولاً (3). اضغط بعد ذلك على مفتاح التشغيل/الإطفاء (4) واحتفظ به مضغوطاً.

من أجل الإطفاء يطلق مفتاح التشغيل/الإطفاء (4).

تشذيب العشب/قص حافات العشب (راجع الصورة A)

قم بتدوير المقبض اليدوي على الساق بمقدار 180 درجة ليكون رأس المشدبة في الوضع المناسب لتشذيب العشب أو قص حافات العشب. حرر الزر (2)، تدخل تركيبة التدوير في مكانها، الآن قم بتدوير الماكينة الكاملة إلى وضع التشغيل.

تشذيب العشب

قم بتحرك مشدبة العشب نحو اليسار واليمين مع

البحث عن الأخطاء



مشدبة العشب/مشدبة حافات العشب

الخطأ	السبب المحتمل	العلاج
المحرك لا يشتغل	المرمك فارغ	اشحن المرمك
	المرمك ساخن/بارد جداً	اسمح للمرمك بأن يبرد/يسخن
جهاز الحديقة يعمل بشكل متقطع	مفتاح التشغيل والإطفاء تالف	راجع مركز خدمة زبائن بوش
	تلف بالكبلات الداخلية بجهاز الحديقة	راجع مركز خدمة زبائن بوش
تم زيادة تحميل جهاز الحديقة	العشب أعلى من المسموح	قص على مراحل
جهاز الحديقة لا يقص	خيط القص قصير جداً/مقطع	قم بالتغذية بخيط القص يدوياً
	ليفة الخيط فارغة	استبدال ليفة الخيط
لا تمكن التغذية بخيط القص	لقد تشابك خيط القص بالليفة	افحص ليفة الخيط، لف خيط القص حولها مرة أخرى عند الضرورة
	ليفة الخيط فارغة	اعد تعبئة ليفة الخيط

الخطأ	السبب المحتمل	العلاج
يتم إعادة سحب خيط القص إلى الليفة	خيط القص قصير جدا/مقطوع	انزع الليفة وادخل خيط القص من جديد (راجع الصور J - L)
خيط القص ينقطع كثيراً	لقد تشابك خيط القص بالليفة	انزع الليفة ولف خيط القص من جديد (راجع الصور J - L)
اهتزازات شديدة	تم استخدام مشدبة العشب بطريقة غير صحيحة	قم بالتشذيب بقمة خيط القص فقط، تجنب ملامسة الحجارة والجدران وغيرها من الأغراض الصلبة. قم بتغذية خيط القص بشكل منتظم من أجل استغلال كامل قطر دائرة القص.
	خيط القص مقطوع نظام القص تالف وجود العشب بين غلاف الليفة وزر إطلاق التغذية بالخيط وجود العشب في فتحة توجيه الخيط	أخرج خيط القص مع وحدة التغذية اليدوية (راجع الصورة M) راجع مركز خدمة زبائن بوش فك غطاء الليفة وقم بإزالة العشب قم بإزالة العشب من فتحة توجيه الخيط

المركم وجهاز الشحن

الأخطاء	السبب المحتمل	العلاج
مؤشر شحن المركم الأحمر يخفق	لم يتم تركيب المركم (بالشكل الصحيح)	قم بتركيب المركم في جهاز الشحن بالشكل الصحيح
عملية الشحن غير ممكنة	ملامسات المركم متسخة	نظف ملامسات المركم من خلال تليمه ونزعه عدة مرات مثلاً، استبدل المركم عند الضرورة
مؤشرات شحن المركم لا تضيء	المركم تالف	استبدل المركم
	قابس الشبكة الكهربائية بجهاز الشحن غير موصول بشكل (سليم)	اغرز قابس الشبكة الكهربائية بالمقبس بشكل (كامل)
	تلف بالمقبس، كابل الشبكة الكهربائية أو جهاز الشحن	تفحص جهد الشبكة الكهربائية، اطلب من مركز خدمة زبائن وكالة عدد بوش الكهربائية بتفحص جهاز الشحن عند الضرورة

وقم بتغليف المركم بحيث لا يتحرك في الطرد. يرجى أيضاً مراعاة التشريعات المحلية المتعلقة إن وجدت.

التخلص من العدة الكهربائية

يجب التخلص من أجهزة المديقة والمراكم والتوابع والتغليف بطريقة منصفة بالبيئة عن طريق التدوير. لا ترم أجهزة المديقة والمراكم/البطاريات ضمن النفايات المنزلية!



لدول الاتحاد الأوروبي فقط:

يجب أن يتم جمع الأجهزة الكهربائية والالكترونية الغير صالحة للاستعمال حسب التوجيه الأوروبي 2012/19/ EU، ويجب أن يتم جمع المراكم/البطاريات التالفة أو المستهلكة على انفراد حسب التوجيه الأوروبي 2006/66/EC، ليتم التخلص منها بطريقة منصفة بالبيئة عن طريق التدوير.

المراكم/البطاريات:

أيونات الليثيوم:

خدمة العملاء واستشارات الاستخدام

www.bosch-garden.com

يلزم ذكر رقم الصنف ذو الفئات العشر وفقاً للوحة صنع المنتج عند إرسال أية استفسارات أو طلبات قطع غيار.

النقل

تخضع مراكم أيونات الليثيوم المركبة لأحكام قانون المواد الخطيرة. يسمح للمستخدم أن يقوم بنقل المراكم على الطرقات دون التقيد بأية شروط إضافية.

عندما يتم إرسالها عن طريق طرف آخر (مثلاً: الشحن الجوي أو شركة شحن)، يتوجب التقيد بشروط خاصة بصدد التغليف ووضع العلامات. ينبغي استشارة خبير متخصص بنقل المواد الخطيرة عندما يرغب بتحضير المركم المراد شحنه في هذه الحالة.

لا تقوم بشحن المراكم إلا إذا كان هيكلها الخارجي سليم. قم بتغطية الملامسات المكشوفة بلاصقات،

يرجى مراعاة الإرشادات الواردة في جزء تعليمات النقل.

ابزار باغبانی را در برابر باران حفظ کنید یا زیر باران رها نکنید.



فارسی

دستورات ایمنی

توجه! همه دستورات ایمنی را به دقت بخوانید. خود را با قسمت‌های کاربری و نحوه استفاده از ابزار باغبانی آشنا کنید. لطفا دفترچه راهنما را برای آینده خوب نگهداری کنید.

توضیح علائم روی ابزار باغبانی

هشدارهای عمومی.



دفترچه ی راهنما را تا انتها بخوانید.



دقت کنید که افراد نزدیک شما با اجسام به هوا پرت شده زخمی



نشوند.

هشدار: هنگام کار ابزار با باغبانی، فاصله ایمنی را رعایت کنید.



مربوط نمی شود.



قبل از سرویس یا تمیز کاری روی ابزار باغبانی یا در صورت بدون نظارت

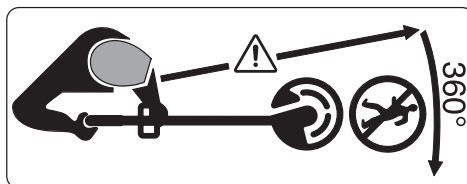


ماندن دستگاه برای مدت طولانی، باتری را درآورید.

از عینک و گوشی ایمنی استفاده کنید.



◀ عبارت «ابزار برقی» در هشدارها به ابزارهایی که به پریز برق متصل میشوند (با سیم برق) و یا ابزارهای برقی باتری دار (بدون سیم برق) اشاره دارد.



دقت کنید که افراد نزدیک شما با اجسام به هوا پرت شده زخمی نشوند.

هشدار: هنگام کار ابزار با باغبانی، فاصله ایمنی را رعایت کنید.

محیط کار ابزار باغبانی را از لحاظ وجود حیوانات وحشی و اهلی به دقت کنترل کنید. حیوانات وحشی و اهلی ممکن است هنگام کار با دستگاه زخمی شوند. محیط کار دستگاه را خوب کنترل و آن را از نظر وجود سنگ، تکه چوب، استخوان و سایر اجسام خارجی خالی کنید. دقت کنید که هنگام کار با دستگاه، هیچ حیوان وحشی یا اهلی یا ساقه درخت در علف انبوه پنهان نباشد.



ایمنی محل کار
 ◀ محیط کار را تمیز و روشن نگه دارید. محیطهای در هم ریخته یا تاریک احتمال بروز حادثه را افزایش میدهند.

◀ ابزار برقی را در محیطهایی که خطر انفجار وجود دارد و حاوی مایعات، گازها و بخارهای محترقه هستند، به کار نگیرید. ابزارهای برقی جرقههایی ایجاد میکنند که میتوانند باعث آتش گرفتن گرد و غبارهای موجود در هوا شوند.

◀ هنگام کار با ابزار برقی، کودکان و سایر افراد را از دستگاه دور نگه دارید. در صورتیکه حواس شما پرت شود، ممکن است کنترل دستگاه از دست شما خارج شود.

ایمنی الکتریکی
 ◀ دوشاخه ابزار برقی باید با پریز برق تناسب داشته باشد. هیچگونه تغییری در دوشاخه ایجاد نکنید. مبدل دوشاخه نباید همراه با ابزار برقی دارای اتصال زمین استفاده شود. دوشاخه‌های اصل و تغییر داده نشده و پریزهای مناسب، خطر برق گرفتگی را کاهش میدهند.

نکات ایمنی عمومی برای ابزارهای برقی

◀ کلیه هشدارها، دستورالعملها، تصاویر و مشخصات ارائه شده به همراه ابزار برقی را مطالعه کنید. اشتباهات ناشی از عدم رعایت این دستورات ایمنی ممکن است باعث برق گرفتگی، سوختگی و یا سایر جراحات های شدید شود.

◀ کلیه هشدارهای ایمنی و راهنمایها را برای آینده خوب نگهداری کنید.

کنید. استفاده از کلید حفاظتی جریان خطا و نشستی زمین خطر برق گرفتگی را کاهش می دهد.

رعایت ایمنی اشخاص

◀ **حواس خود را خوب جمع کنید، به کار خود دقت کنید و با فکر و هوشیاری کامل با ابزار برقی کار کنید. در صورت خستگی و یا در صورتی که مواد مخدر، الکل و دارو استفاده کرده‌اید، با ابزار برقی کار نکنید.** یک لحظه بی توجهی هنگام کار با ابزار برقی، میتواند جراحت های شدیدی به همراه داشته باشد.

◀ **از تجهیزات ایمنی شخصی استفاده کنید. همواره از عینک ایمنی استفاده نمایید.** استفاده از تجهیزات ایمنی مانند ماسک ضد گرد و غبار، کفشهای ایمنی ضد لغزش، کلاه ایمنی و گوشی محافظ متناسب با نوع کار با ابزار برقی، خطر مجروح شدن را کاهش میدهد.

◀ **مواظب باشید که ابزار برقی بطور ناخواسته بکار نیفتد. قبل از وارد کردن دوشاخه دستگاه در پریز برق، اتصال آن به باتری، برداشتن آن و یا حمل دستگاه، باید دقت کنید که ابزار برقی خاموش باشد. در صورتی که هنگام حمل دستگاه انگشت شما روی دکمه قطع و وصل باشد و یا دستگاه را در حالت روشن به**

◀ **از تماس بدنی با قطعات متصل به سیم اتصال زمین مانند لوله، شوفاز، اجاق برقی و یخچال خودداری کنید.** در صورت تماس بدنی با سطوح و قطعات دارای اتصال به زمین و همچنین تماس شما با زمین، خطر برق گرفتگی افزایش می یابد.

◀ **ابزارهای برقی را در معرض باران و رطوبت قرار ندهید.** نفوذ آب به ابزار برقی، خطر شوک الکتریکی را افزایش میدهد.

◀ **از سیم دستگاه برای مقاصد دیگر استفاده نکنید. هرگز برای حمل ابزار برقی، کشیدن آن یا خارج کردن دوشاخه از سیم دستگاه استفاده نکنید.** کابل دستگاه را از حرارت، روغن، لبه‌های تیز یا قطعات متحرک دور نگه دارید. کابل‌های آسیب دیده و یا گره خورده خطر شوک الکتریکی را افزایش میدهند.

◀ **هنگام استفاده از ابزار برقی در محیط‌های باز، تنها از کابل رابطی استفاده کنید که برای محیط باز نیز مناسب باشد.** کابل های رابط مناسب برای محیط باز، خطر برق گرفتگی را کم می کنند.

◀ **در صورت لزوم کار با ابزار برقی در محیط و اماکن مرطوب، باید از یک کلید حفاظتی جریان خطا و نشستی زمین (کلید قطع کننده اتصال با زمین) استفاده**

مصونیت شما را در برابر گرد و غبار زیادتر میکند.

◀ **آشنایی با ابزار به دلیل کار کردن زیاد با آن نباید باعث سهل انگاری شما و نادیده گرفتن اصول ایمنی شود.** بی دقتی ممکن است باعث بروز جراحاتی در عرض کسری از ثانیه شود.

◀ **استفاده صحیح از ابزار برقی و مراقبت از آن**

◀ **از وارد کردن فشار زیاد روی دستگاه خودداری کنید.** برای هر کاری، از ابزار برقی مناسب با آن استفاده کنید. بکار گرفتن ابزار برقی مناسب باعث میشود که بتوانید از توان دستگاه بهتر و با اطمینان بیشتر استفاده کنید.

◀ **در صورت ایراد در کلید قطع و وصل ابزار برقی، از دستگاه استفاده نکنید.** ابزار برقی که نمی توان آنها را قطع و وصل کرد، خطرناک بوده و باید تعمیر شوند.

◀ **قبل از تنظیم ابزار برقی، تعویض متعلقات و یا کنار گذاشتن آن، دوشاخه را از برق بکشید و یا باتری آنرا خارج کنید.** رعایت این اقدامات پیشگیری ایمنی از راه افتادن ناخواسته ابزار برقی جلوگیری می کند.

◀ **ابزار برقی را در صورت عدم استفاده، از دسترس کودکان دور نگه دارید و اجازه ندهید که افراد ناوارد**

برق بزنید، ممکن است سوانح کاری پیش آید.

◀ **قبل از روشن کردن ابزار برقی، همه ابزارهای تنظیم کننده و آچارها را از روی دستگاه بردارید.** ابزار و آچارهایی که روی بخش های چرخنده دستگاه قرار دارند، میتوانند باعث ایجاد جراحت شوند.

◀ **وضعیت بدن شما باید در حالت عادی قرار داشته باشد.** برای کار جای مطمئنی برای خود انتخاب کرده و تعادل خود را همواره حفظ کنید. به این ترتیب میتوانید ابزار برقی را در وضعیتهای غیر منتظره بهتر تحت کنترل داشته باشید.

◀ **لباس مناسب بپوشید.** از پوشیدن لباسهای گشاد و حمل زینت آلات خودداری کنید. موها و لباس خود را از بخشهای در حال چرخش دستگاه دور نگه دارید. لباسهای گشاد، موی بلند و زینت آلات ممکن است در قسمتهای در حال چرخش دستگاه گیر کنند.

◀ **در صورتی که تجهیزاتی برای اتصال وسائل مکش گرد و غبار و یا وسیله جمع کننده گرد و غبار ارائه شده است، باید مطمئن شوید که این وسائل درست نصب و استفاده می شوند.** استفاده از وسائل مکش گرد و غبار

کنترل در کار در شرایط غیر منتظره هستند.

مراقبت و طرز استفاده از ابزارهای شارژی

باتری را بردارید:

- در صورت تنها گذاشته شدن دستگاه توسط کاربر
- پیش از رفع گیر
- پیش از تمیز کردن یا کار با دستگاه
- پس از برخورد یک جسم خارجی از لحاظ آسیب دیدگی کنترل کنید
- در صورت شروع ناگهانی لرزش، دستگاه را کنترل کنید

باتری ها را منحصراً توسط دستگاه هایی شارژ کنید که

توسط سازنده توصیه شده باشند. چنانچه برای شارژ باتری آنرا در دستگاه شارژی قرار دهید که برای آن نوع باتری ساخته نشده است، خطر آتش سوزی وجود دارد.

فقط از باتری هایی استفاده کنید که برای آن نوع دستگاه در نظر گرفته شده اند.

استفاده از سایر باتری های متفرقه میتواند جراحات و حریق را منجر گردد.

در صورت عدم استفاده از باتری باید آنرا از گیره های

فلزی، سکه، کلید، میخ، پیچ و دیگر وسائل کوچک فلزی دور نگه دارید، زیرا این وسائل ممکن است باعث ایجاد اتصالی شوند. ایجاد اتصالی بین دو قطب باتری

و یا اشخاصی که این دفترچه راهنما را خوانده اند، با این دستگاه کار کنند. قرار گرفتن ابزار برقی در دست افراد ناوارد و بی تجربه خطرناک است.

از ابزار برقی و متعلقات خوب مراقبت کنید. مواظب باشید که قسمت های متحرک

دستگاه خوب کار کرده و گیر نکند. همچنین دقت کنید که قطعات ابزار برقی شکسته و یا آسیب دیده نباشند.

قطعات آسیب دیده را قبل از شروع به کار تعمیر کنید. علت بسیاری از سوانح کاری، عدم مراقبت کامل از ابزارهای برقی می باشد.

ابزار برش را تیز و تمیز نگه

دارید. ابزار برشی که خوب مراقبت شده و از لبه های تیز برخوردار است، کمتر در قطعه کار گیر کرده و بهتر قابل هدایت است.

ابزار برقی، متعلقات، متهای دستگاه و غیره را مطابق

دستورات این جزوه راهنما به کار گیرید و به شرایط کاری و نوع کار نیز توجه داشته باشید. استفاده از ابزار برقی برای عملیاتی به جز مقاصد در نظر گرفته شده، میتواند به بروز شرایط خطرناک منجر شود.

دستهها و سطوح عایق را همواره خشک، تمیز و عاری از

روغن و گریس نگه دارید. دسته های لغزنده مانع ایمنی و

سرویس

◀ برای تعمیر ابزار برقی فقط به متخصصین حرفه‌ای رجوع کنید و از قطعات یدکی اصل استفاده نمایید. این باعث خواهد شد که ایمنی دستگاه شما تضمین گردد.

◀ هرگز باتریهای آسیب دیده را تعمیر نکنید. باتری باید تنها توسط متخصصین مجاز شرکت تعمیر شوند.

دستورات ایمنی برای ابزار باغبانی

کاربری

- ◀ کاربر باید از محصول مطابق مقررات استفاده کند. به وضعیت محل کار توجه کنید. هنگام کار کاملاً به اشخاص توجه کنید، بخصوص کودکان.
- ◀ هرگز به کودکان و سایر افراد دارای کاستیهای روحی و جسمی یا بدون تجربه یا آشنایی یا به اشخاص بدون اطلاع از روش کاربری اجازه استفاده از محصول را ندهید. مقررات مربوط به هر کشور می‌توانند سن کاربر را محدود کنند.
- ◀ کودکان باید زیر نظر باشند تا اطمینان حاصل شود که آنها با محصول بازی نمی‌کنند.

کاربرد

◀ ابزار باغبانی را هنگام کار با هر دو دست محکم بگیرید و جایگاه مطمئنی برای خود انتخاب کنید. ابزار باغبانی با دو

(ترمینالهای باتری) میتواند باعث سوختگی و ایجاد حریق شود.

◀ استفاده بی رویه از باتری میتواند باعث خروج مایعات از داخل آن شود. از دست زدن و هر گونه تماس با آن مایعات خودداری کنید. در صورت تماس اتفاقی با آن، دست خود و یا محل تماس با مایعات را با آب بشوئید. در صورت آلوده شدن چشم با این مایعات، باید به پزشک مراجعه کنید. مایع خارج شده ممکن است باعث بروز خارشهای پوستی و سوختگی شود.

◀ هرگز از باتری یا ابزار آسیب دیده یا دست کاری شده استفاده نکنید. باتریهای آسیب دیده ممکن است کارکرد غیر قابل منتظره ای داشته باشند و منجر به آتش سوزی، انفجار یا جراحت شوند.


◀ باتری یا ابزار را در معرض آتش یا دمای زیاد قرار ندهید. قرار گرفتن در معرض آتش یا حرارت بالای 130°C ممکن است منجر به انفجار گردد.

◀ همه ی راهنماییهای مربوط به شارژ را رعایت کنید و باتری یا ابزار را خارج از محدوده ی دمای تعریف شده در دستورات شارژ نکنید. شارژ کردن نادرست یا در دمای خارج از محدوده ی تعریف شده ممکن است به باتری صدمه بزند و خطر آتش سوزی را افزایش دهد.

- ◀ کاربرد چمن زن در چمن تر ممکن است توان آن را مختل کند.
- ◀ برای حمل و نقل، ابزار باغبانی را خاموش کنید و باتری را بیرون بکشید.
- ◀ همواره هنگام کار با چمن زن به وضعیت ایستادن مطمئن خود توجه کنید. دستان و پاهای خود را در فاصله مطمئنی از قسمت‌های چرخنده نگهدارید.
- ◀ برای جلوگیری از افتادن هنگام کار، تعادل خود را حفظ کنید.
- ◀ دقت کنید که در صورت قرار گرفتن ابزار باغبانی روی زمین از روی آن تلو نخورید.
- ◀ باتری را قبل از تعویض قرقره درآورید.
- ◀ چمن زن را منظم کنترل و سرویس کنید.
- ◀ همواره برای تمیز کردن محصول یا تعویض نخ از دستکش ایمنی استفاده کنید.
- ◀ هنگام کار با تیغه ای که برای قطع نخ برش است، احتیاط کنید. چمن زن را پس از پر کردن با نخ، همواره قبل از روشن کردن در وضعیت افقی قرار دهید.
- ◀ ابزار باغبانی را خاموش کنید و باتری را بیرون بکشید:
- هر وقت ابزار باغبانی را مدتی بدون نظارت می گذارید
- قبل از تعویض قرقره
- قبل از تمیز کاری یا هنگام کار روی چمن زن
- پیش از نگهداری چمن زن در انبار
- دست مطمئن تر هدایت می شود.
- ◀ قبل از کنار گذاشتن ابزار باغبانی، صبر کنید تا دستگاه به ایست کامل برسد.
- ◀ هرگز ابزار باغبانی را با یک قاب محافظ یا درپوش خراب یا بدون تجهیزات ایمنی بکار نبرید. دقت کنید که این موارد، صحیح نصب شده باشند. هرگز دستگاه را بطور ناکامل یا با تغییرات غیر مجاز بکار نبرید.
- ◀ دستگاه را در صورت آسیب دیدگی یا فرسودگی کابل بکار نبرید.
- ◀ هرگز ابزارهای بُرش غیر فلزی را با ابزار برش فلزی تعویض نکنید.
- ◀ هرگز ابزار باغبانی را سر خود تعمیر نکنید، مگر اینکه در این رابطه تخصص دارید.
- ◀ هنگام کاربری ابزار باغبانی بایستی سایر افراد و حیوانات دور بمانند. کاربر نسبت به فرد سوم در محدوده کاری مسؤول است.
- ◀ قبل از تماس با تیغه، بگذارید به طور کامل بایستد. سر تیغه پس از خاموش شدن موتور برای مدتی در حرکت می ماند و می تواند باعث ایجاد جراحات شود.
- ◀ فقط در روز روشن یا زیر نور مناسب چراغ کار کنید.
- ◀ در صورت بد بودن هوا بخصوص هنگام رعد و برق با چمن زن کار نکنید.

- ◀ **از اتصال کوتاه باتری خودداری کنید.** خطر انفجار وجود دارد.
- ◀ گاه بگاه شیارهای تهویه باتری را بوسیله یک قلم موی یا برس کوچک نرم و خشک تمیز کنید.

دستورات ایمنی برای دستگاههای شارژ

- ◀ **همه دستورات ایمنی و راهنمائی ها را بخوانید.** 
- ◀ اشتباهات ناشی از عدم رعایت این دستورات ایمنی ممکن است باعث برق گرفتگی، سوختگی و یا سایر جراحات های شدید شود.

همه دستورات و راهنمایی ها را برای آینده خوب نگهداری کنید.

- ◀ لطفاً دستگاه شارژ را زمانی بکار گیرید که از کلیه لزومات عملکرد آن بخوبی واقف باشید و کاملاً بتوانید با دستگاه کار کنید و همچنین راهنمائی های لازم را دریافت کرده باشید.
- ◀ هرگز به کودکان و سایر افراد دارای کاستیهای روحی و جسمی یا بدون تجربه یا آشنایی یا به اشخاص بدون اطلاع از روش کاربری اجازه استفاده از دستگاه شارژ را ندهید. مقررات مربوط به هر کشور می توانند سن کاربر را محدود کنند.
- ◀ **مراقب کودکان باشید.** اینگونه اطمینان حاصل می کنید که کودکان با دستگاه شارژ بازی نمی کنند.

- ◀ محصول را در یک جای خشک، بسته و دور از دسترس کودکان نگهداری کنید. هیچ جسمی را روی محصول قرار ندهید.
- ◀ ابزار باغبانی را به عنوان عصا بکار نبرید.

نکاتی برای کار بهینه با باتری شارژی

- ◀ **باتری را باز نکنید.** خطر اتصال کوتاه وجود دارد.
- ◀ **باتری شارژی را در برابر گرما (مانند تابش مستقیم نور خورشید)، رطوبت، آتش، آب محفوظ بدارید.** خطر انفجار وجود دارد.



- ◀ **در صورت استفاده غیر معمول یا آسیب دیدگی باتری شارژی ممکن است بخار خارج گردد.** هوا را تازه کنید و در صورت بروز ناراحتی به پزشک مراجعه کنید. این بخارها می توانند مجاری تنفسی را تحریک کنند.

تنها از باتری برای محصولات تولیدی شرکت استفاده کنید.

- ◀ فقط در اینصورت باتری در برابر خطر اعمال فشار بیش از حد محافظت میشود.

- ◀ **بوسیله ی اشیاء تیز مانند میخ یا پیچگوشتی یا تأثیر نیروی خارجی ممکن است باتری آسیب ببیند.** ممکن است اتصالی داخلی رخ دهد و باتری آتش گیرد، دود کند، منفجر شود یا بیش از حد داغ گردد.

- ◀ گرمای حاصل از کار دستگاه، خطر بروز آتشسوزی وجود دارد.
- ◀ **شیار تهویه ی دستگاه شارژ را نپوشانید.** دستگاه شارژ ممکن است در غیر اینصورت درست کار نکند.
- ◀ برای افزایش ایمنی الکتریکی توصیه می شود از یک کلید نشت و خطا با حداکثر آمپراژ فعال 30 میلی آمپر استفاده کنید. کلید نشت و خطا را قبل از کاربری کنترل کنید.

علامت ها

علامتهای ذیل برای استفاده از چاروبرقی مهم می باشند. لطفا این علائم و معانی آنها را به خاطر بسپارید. فهم درست این علائم به شما جهت استفاده ی درست و ایمن از محصول کمک می کند.

معنی	علامت
مسیر یا جهت حرکت	
مسیر یا جهت عکس العمل	
از دستکش ایمنی استفاده کنید	
وزن	
نمونه روشن کردن	
نمونه خاموش کردن	
کاربری مجاز	
عملکرد ممنوع و غیر مجاز	
سر و صدای قابل شنیدن	CLICK!
متعلقات/قطعات یدکی	

موارد استفاده از دستگاه

ابزار باغبانی برای کاربری خانگی و بُرش چمن، علف هرزه و گزنه در نظر گرفته شده است. این ابزار برای برش چمن رشد کرده در بیشه در جاهایی دارای مانع و گوشه که با دستگاه چمن زن قابل دسترسی نیست

- ◀ تنها از باتری های لیتیوم یونی بوش با ظرفیت **1,5 Ah** (از **5** باتری ساعتی) شارژ کنید. ولتاژ باتری بایستی با ولتاژ شارژر باتری مطابقت داشته باشد. از شارژ کردن باتری های غیر قابل شارژ خودداری کنید. در غیر اینصورت خطر آتش سوزی یا انفجار وجود دارد.

دستگاه شارژ باتری را در برابر باران و رطوبت محفوظ بدارید. نفوذ آب



به داخل دستگاه شارژ، خطر برق گرفتگی را افزایش میدهد.

- ◀ **دستگاه شارژ را تمیز نگه دارید.** آلودگی می تواند خطر ایجاد شوک الکتریکی داشته باشد.

- ◀ **قبل از هر بار استفاده، دستگاه شارژ، کابل و دوشاخه را کنترل کنید.** در صورت تشخیص هر گونه آسیب دیدگی، از دستگاه شارژ استفاده نکنید دستگاه شارژ را سر خود باز نکنید و برای تعمیر دستگاه فقط به متخصصین حرفه ای رجوع و از وسائل یدکی اصل استفاده کنید. دستگاه شارژ، دوشاخه و کابل های آسیب دیده، خطر برق گرفتگی را افزایش میدهند.

- ◀ **دستگاه شارژ را در سطح قابل اشتعال (مثلا روی کاغذ، پارچه و غیره) یا در محیط با قابلیت آتشسوزی بکار نبرید.** به دلیل ایجاد

- (1) دستگیره قابل تنظیم
- (2) دکمه چمن زن/برش لبه ها
- (3) قفل کلید قطع و وصل
- (4) کلید قطع و وصل
- (5) دکمه قفل کننده باتری
- (6) باتری^(A)
- (7) آزاد کننده قفل تنظیم دستگیره
- (8) قاب محافظ
- (9) قفل ایمنی حمل و نقل و حرکت
- (10) دستگاه شارژ باتری^(A)
- (11) سرپوش قرقره
- (12) قرقره
- (13) گیرنده نخ
- (14) سوراخ نخ دهی
- (15) سر برای نخ دهی

(A) کلیه متعلقاتی که در تصویر و یا در متن آمده است، بطور معمول همراه دستگاه ارائه نمی شود. لطفا لیست کامل متعلقات را از فهرست برنامه متعلقات اقتباس نمایند.

تولید شده است. این ابزار باغبانی برای کاربری به عنوان چمن زن موتوری در نظر گرفته شده است. این ابزار باغبانی برای کاربری تجاری و صنعتی در نظر گرفته نشده است.

محتویات ارسالی (رجوع شود به تصویر B)

ابزار باغبانی را با احتیاط از بسته بندی بیرون آورید و امتحان کنید آیا اجزای زیر کامل هستند:

- چمن زن
 - قاب محافظ
 - باتری**
 - دستگاه شارژ**
 - دفترچه راهنما
- در صورت ناقص یا آسیب دیده بودن اجزای دستگاه به فروشنده مراجعه کنید.
** بر حسب کشور مربوط

اجزاء در صفحه تصویر رجوع کنید به تصویر A)

شماره گذاری اجزای مصور، مربوط به تصویر محصول در صفحه ی تا شو می باشد.

مشخصات فنی

EasyGrassCut 18		EasyGrassCut 18-230		چمن زن/چمن زن لبه ها
EasyGrassCut 18-26		EasyGrassCut 18-260		
3 600 HC1 C..	3 600 HC1 A..			شماره فنی
18	18	V		ولتاژ نامی ^(A)
8500	8500	min ⁻¹		سرعت در حالت آزاد ^(A)
1,6	1,6	میلیمتر		قطر نخ برش
26	23	cm		قطر دایره برش
4,0	4,0	m		ظرفیت قرقره نخ
●	●			دستگیره قابل تنظیم
●	●			برش لبه ها
				وزن مطابق استاندارد ^(A) EPTA-Procedure 01:2 014
1,7	1,7	kg		- بدون باتری
2,1	2,1	kg		- با باتری
رجوع کنید به برچسب روی ابزار باغبانی				شماره فنی/شماره سری
0 ... +35	0 ... +35	C°		دمای توصیه شده محیط هنگام شارژ
-20 ... +50	-20 ... +50	C°		دمای مجاز محیط هنگام کار ^(B) و هنگام انبار کردن
لیتیوم - یونی	لیتیوم - یونی			باتری شارژی
18	18	V		ولتاژ نامی
				شماره فنی/حجم

EasyGrassCut 18		EasyGrassCut 18-230		چمن زن/چمن زن لبه ها	
EasyGrassCut 18-26					
EasyGrassCut 18-260					
1,5	1,5	Ah		2 607 337 187	-
2,0	2,0	Ah		2 607 337 211	-
2,5	2,5	Ah		2 607 337 199	-
4,0	4,0	Ah		1 607 A35 07H	-
6,0	6,0	Ah		1 607 A35 01Y	-
تعداد باتری ساعتی					
5	5			2 607 337 187	-
5	5			2 607 337 211	-
5	5			2 607 337 199	-
10	10			1 607 A35 07H	-
10	10			1 607 A35 01Y	-

(A) بسته به نوع باتری کاربردی
(B) توان محدود برای دمای 0°C

AL 1880 CV	AL 1830 CV	AL 1815 CV	AL 1810 CV	دستگاه شارژر باتری	
شماره فنی					
2 607 226 1..	2 607 225 965	2 607 226 0..	2 607 226 385	اروپا	
2 607 226 1..	2 607 225 967	2 607 226 0..	2 607 226 387	انگلیس	
8,0	3,0	1,5	1,0	A	جریان شارژر
زمان شارژر (باتریها خالی هستند)					
27	33	63	94	دقیقه	- باتری با 1,5 Ah
30	45	84	124	دقیقه	- باتری با 2,0 Ah
36	60	105	154	دقیقه	- باتری با 2,5 Ah
35	95	168	244	دقیقه	- باتری با 4,0 Ah
62	130	260	364	دقیقه	- باتری با 6,0 Ah
0,60	0,40	0,38	0,17	kg	وزن مطابق استاندارد EPTA-Procedure 01:20 14
II/□	II/□	II/□	II/□		کلاس ایمنی

صفحه	تصویر	نوع عملکرد
52	J	برداشتن قرقره ی نخ
52	K	نخ کردن قرقره
53	L	نصب قرقره ی نخ
53	M	نخ دهی
54	N	سرویس، تمیز کردن و نگهداری
55	O	متعلقات

نصب

توجه: قبل از مونتاژ، ابزار باغبانی را خاموش کنید و دوشاخه آنرا از پریز بیرون بکشید.

نحوه نصب و کاربرد

صفحه	تصویر	نوع عملکرد
46	A	اجزاء دستگاه
47	B	محتویات ارسالی
47	C	باز کردن ایمنی حمل و نقل
48	D	جا زدن شفت
48	E	تنظیم کردن دسته
49	F	نصب کردن قاب محافظ
50	G	شارژر و نصب باتری
50	H	نحوه روشن و خاموش کردن
51	I	تعویض حالت چمن زن/برش لبه ها

محصول بوسیله کلید حفاظتی خاموش می شود:
ابزار باغبانی دیگر کار نمی کند.

پس از خاموش شدن خودکار دستگاه، دوباره روی کلید خاموش/روشن فشار نیاورید. امکان آسیب دیدن باتری وجود دارد.
به نکات مربوط به نحوه از رده خارج کردن باتری توجه کنید.

نصب/برداشتن باتری (رجوع کنید به تصویر G)

تذکر: در صورت استفاده از باتری های نامناسب، امکان بروز اختلال در عملکرد یا آسیب دیدگی دستگاه وجود دارد.
باتری شارژ شده (6) را قرار دهید. مطمئن شوید که باتری کاملاً جا افتاده است.
برای برداشتن باتری ها (6) از دستگاه، دکمه آزاد کننده قفل (5) را فشار دهید و باتری را بیرون بکشید.

فرآیند شارژ

به محض اتصال دوشاخه دستگاه شارژ در پریز و فیض شارژر و باتری (6) در دستگاه شارژ (10) شروع می شود.

توسط فرآیند هوشمند شارژ، وضعیت شارژ به طور خودکار تشخیص داده می شود و بر حسب دمای باتری و ولتاژ، جریان شارژر بهینه انتخاب می شود.
با این روش طول عمر باتری افزایش یافته و به هنگام نگهداری آن در داخل دستگاه شارژ همواره بطور کامل، شارژ باقی میماند.

مفهوم چراغهای نمایشگر

چراغ چشمک زن نمایشگر شارژ باتری

فرآیند شارژ بوسیله چشمک زدن نمایشگر شارژ باتری اطلاع داده می شود.



چراغ ممتد نمایشگر شارژ باتری

چراغ ممتد نمایشگر شارژ باتری نمایانگر این است که باتری کاملاً شارژ شده است یا دمای باتری خارج از محدوده دمای مجاز شارژ قرار دارد و به همین دلیل شارژ نمی شود. به محض اینکه دمای باتری تحت دمای مجاز قرار بگیرد، باتری شارژ میشود.
بدون قرار داشتن باتری، چراغ ممتد نمایشگر شارژ باتری نشاندهنده قراردادن دوشاخه در پریز و آماده کار بودن دستگاه شارژ است.

معنی نمادهای نمایشگر (AL 1815 CV)

چراغ چشمکزن نمایشگر شارژ باتری

فرآیند شارژ بوسیله چشمک زدن نمایشگر شارژ باتری اطلاع داده می شود.



جا زدن شفت (رجوع کنید به تصویر undC D)

تذکر: یک شفت جا انداخته شده را نمی توان باز کرد.

ایمنی حمل و نقل (9) را باز کنید.

قسمتهای شفت را به هم وصل کنید تا به طور محسوس جا بیافتند.

باز و تنظیم کردن دستگیره (رجوع شود به تصویر E)

دستگیره (1) را می توان در حالات مختلفی قرار داد. برای تغییر تنظیمات، دکمه های (7) را فشار دهید و دستگیره را به حالت دلخواه برانید. دکمه های (7) را برای جا افتادن دستگیره دوباره رها کنید.

نصب قاب محافظ (رجوع کنید به تصویر F)

پیش از نصب قاب محافظ، گیره را برای حفاظت گیاهان از حالت حمل و نقل به حالت نگهداری در انبار بکشید.

قاب محافظ (8) را روی سر چمن زن قرار دهید و آنرا را با پیچ ارسالی محکم کنید.

در صورت نصب بودن قاب محافظ، نباید آن را باز کرد.

سپس گیره را جهت حفاظت گیاهان به حالت کاری بکشید.

نحوه کاربرد دستگاه

◀ توجه: قبل از انجام تنظیمات یا تمیز کاری روی ابزار باغبانی، ابزار باغبانی را خاموش کنید و باتری را درآورید.

◀ پس از خاموش شدن اهر چمن زن، نخ برش آن چند ثانیه در حرکت می ماند. قبل از روشن کردن دوباره چمن زن، صبر کنید تا موتور/نخ برش کاملاً بایستد.

◀ پشت سر هم به طور کوتاه و چندین بار خاموش و روشن نکنید.

◀ استفاده از قطعات برنده بوش توصیه می شود. در صورت استفاده از سایر قطعات برنده ممکن است نتیجه دلخواه بدست نیاید.

نحوه شارژ کردن باتری

باتری شارژی مجهز به سیستم کنترل کننده دما است که شارژ بین 0°C و 35°C را ممکن می سازد. به این ترتیب طول عمر باتری افزایش می یابد.

تذکر: باتری دستگاه با شارژ اولیه ارسال می شود. برای دست یافتن به توان کامل باتری، بایستی باتری را پیش از اولین بار استفاده، در دستگاه شارژ بطور کامل شارژ کنید.

باتریهای لیتیوم-یونی را می توان همیشه شارژ کرد، بدون اینکه از طول عمر آنها کاسته شود. قطع شارژ باتری به آن آسیبی وارد نمی کند.

باتری لیتیوم-یونی از طریق „Electronic Cell Protection (ECP)“ در مقابل خالی شدن کامل محافظت می شود. در صورت خالی بودن باتری،

کاربری

خاموش و روشن کردن (رجوع کنید به تصویر H)

برای روشن کردن ابتدا قفل کلید (3) را فشار دهید. سپس کلید قطع و وصل (4) را فشار دهید و آن را فشرده نگه دارید.
برای خاموش کردن، کلید قطع و وصل (4) را رها کنید.

چمن زن/چمن زن لبه ها (رجوع کنید به تصویر A)

دستگیره را به مقدار 180° بچرخانید تا سر چمن زن را به حالت چمن زن یا چمن زن لبه ها برانید. دکمه (2) را رها کنید تا مکانیسم چرخش جا بیفتد. تمام دستگاه را به حالت کاری بچرخانید.

چمن زن

چمن زن را به طرف چپ و راست حرکت دهید و آن را در این حین از بدن خود دور نگه دارید... چمنهای بلندتر را در چند مرحله ببرید.

چمن زن لبه ها

چمن زن را در امتداد لبه چمن برانید. از تماس با سطوح سخت یا دیوارها جهت جلوگیری از فرسایش سریع نخ بپرهیزید.

اطراف درختان و بوته ها

را با احتیاط ببرید تا از تماس آنها با نخ برش جلوگیری شود. ممکن است که درختان در صورت آسیب دیدگی پوسته آنها از بین بروند.

برداشتن قرقره، جمع کردن نخ و نصب قرقره (رجوع کنید به تصاویر L تا L)

باتری را قبل از تعویض قرقره درآورید.

هر دو لبه درپوش قرقره را فشار دهید و درپوش قرقره (11) را بردارید. سپس قرقره خالی (12) را بردارید.

حدود 4,0 m نخ کلاف را بئیرید. انتهای نخ را در گیرنده نخ (13) قرقره برانید و نخ را به طور یکسان و کشیده بیچانید.

انتهای دیگر نخ را در سوراخ (14) سر چمن زن فرو کنید و قرقره را دوباره در سر چمن زن بگذارید. قرقره را با قرار دادن درپوش قرقره (11) تثبیت کنید.

نخ دادن (رجوع کنید به تصویر M)


نخ دهی نیمه خودکار

چمن زن به یک سیستم نخ دهی نیمه اتوماتیک مجهز است. این سیستم با هر بار فشردن کلید قطع و وصل (4) 10 mm نخ بیرون می دهد.

نخ دهی دستی

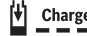
دکمه (15) را فشار دهید و نخ را به مقدار طول دلخواه بیرون بکشید.

چراغ ممتد نمایشگر شارژ باتری

Full  این است که باتری کاملاً شارژ شده است یا دمای باتری خارج از محدوده دمای مجاز شارژ قرار دارد و به همین دلیل شارژ نمی شود. به محض اینکه دمای باتری تحت دمای مجاز قرار بگیرد، باتری شارژ میشود.


بدون قرار داشتن باتری، چراغ ممتد نمایشگر شارژ باتری نشاندهنده فرارداشتن دوشاخه در پرریز و آماده کار بودن دستگاه شارژ است.

معنی نمادهای نمایشگر (AL 1830 CV/ (AL 1880 CV)

چراغ چشمک زن (تند) وضعیت شارژ باتری سبز Charge  فرآیند شارژ سریع با چشمک زدن نمایشگر سبز شارژ باتری نمایش داده میشود.


نکته: فرآیند شارژ سریع تنها در صورت قرار داشتن باتری در محدوده دمای مجاز شارژ ممکن است، رجوع کنید به بخش "مشخصات فنی".

چراغ چشمک زن (آهسته) وضعیت شارژ باتری سبز

GO 80%  در صورت وضعیت شارژ باتری به مقدار 80% چراغ سبز نمایشگر شارژ باتری آهسته چشمک می زند.

باتری را می توان جهت استفاده ی سریع جدا کرد.

چراغ ممتد سبز نمایشگر شارژ باتری


Full  چراغ ممتد سبز رنگ نمایانگر اینست که باتری کاملاً شارژ شده است.

بدون قرار داشتن باتری، چراغ ممتد نمایشگر شارژ باتری نشاندهنده فرارداشتن دوشاخه در پرریز و آماده کار بودن دستگاه شارژ است.

چراغ ممتد قرمز نمایشگر شارژ باتری

 چراغ ممتد قرمز نمایشگر وضعیت شارژ باتری نشان می دهد که دمای باتری خارج از محدوده دمای مجاز شارژ قرار دارد، رجوع کنید به بخش "مشخصات فنی". به محض رسیدن به محدوده ی دمای مجاز، دستگاه شارژ به طور خودکار به حالت فرآیند شارژ سریع تغییر می کند.

چراغ چشمکزن قرمز نمایشگر شارژ باتری

 چراغ چشمکزن قرمز نمایشگر شارژ باتری نشاندهنده وجود یک اختلال در فرآیند شارژ است رجوع کنید به بخش "خطا - دلایل و راه حل".

جستجوی خطا



چمن زن/چمن زن لبه ها

ایراد	دلیل ممکن	راهنمایی
موتور راه نمی افتد	باتری خالی است	باتری را شارژ کنید
ابزار باغبانی با توقف کار می کند	باتری خیلی سرد/خیلی داغ است	بگذارید باتری گرم/خنک شود
	کلید قطع و وصل خراب است	به نمایندگی بوش مراجعه کنید
	اتصال درونی کابلهای ابزار باغبانی معیوب است	به نمایندگی بوش مراجعه کنید
ابزار باغبانی زیر فشار است	چمن خیلی بلند است	مرحله به مرحله ببرید
ابزار باغبانی نمی برد	نخ برش خیلی کوتاه/ پاره شده است	نخ برش را دستی/خودکار بیرون بدهید
	قرقره خالی است	قرقره را عوض کنید
نخ برش باز نمی شود	نخ برش در قرقره گیر کرده است	قرقره را کنترل و در صورت لزوم نخ برش را دور قرقره بپیچانید
	قرقره خالی است	قرقره نخ را پر کنید
نخ برش در قرقره جمع می شود	نخ برش خیلی کوتاه/ پاره شده است	قرقره را بردارید و نخ برش را از نو قرار دهید (رجوع کنید به تصاویر J - L)
نخ برش مرتب پاره می شود	نخ برش در قرقره گیر کرده است	قرقره را بردارید و نخ برش را از نو بپیچانید (رجوع کنید به تصاویر J - L)
	کاربری نادرست با چمن زن	تنها با نوک نخ برش ببرید؛ از تماس با سنگ، دیوار و سایر اجسام سفت خودداری کنید. نخ برش را مرتب پر کنید تا قطر کامل دایره برش حاصل گردد.
لرزش شدید/سر و صدا	نخ برش پاره است سیستم برش آسیب دیده است بین بدنه قرقره و سر نخ دهی، علف مانده است در سوراخ نخ دهی، علف مانده است	نخ برش را با فشار دست بیرون بکشید (رجوع کنید به تصویر M) به نمایندگی بوش مراجعه کنید درپوش قرقره را بردارید و علف را جدا کنید لحف را از سوراخ نخ دهی بزدایید

باتری و دستگاه شارژ

ایرادها	دلیل ممکن	راهنمایی
نمایشگر وضعیت شارژ قرمز چشمک می زند	باتری (درست) قرار نگرفته است	باتری را درست روی دستگاه شارژ قرار دهید
فرآیند شارژ ممکن انجام نمی شود	کنتاکت های باتری آلوده شده اند	اتصالهای باتری را تمیز کنید؛ مثلاً با درآوردن و جازدن پیاپی، در صورت نیاز باتری را عوض کنید
	باتری قابل استفاده نمیباشد	باتری را تعویض نمایید
نمایشگرهای شارژ باتری روشن نمی شوند	دو شاخه اتصال دستگاه شارژ یا به جریان برق متصل نیست و یا اینکه (به درستی) متصل نیست	دو شاخه اتصال به جریان برق را (بطور کامل) در داخل پریز برق فشار بدهید
	دو شاخه اتصال، کابل برق و یا دستگاه شارژ ایراد دارد	ولتاژ شبکه را کنترل نمایید، دستگاه شارژر در صورت لزوم از طرف یک شرکت مجازی که خدمات پس از فروش برای ابزارآلات برقی شرکت بوش را ارائه میدهد کنترل شود

خدمات و مشاوره با مشتریان

www.bosch-garden.com

برای هرگونه سؤال و یا سفارش ابزار یدکی و متعلقات، حتماً شماره فنی ده رقمی کالا را مطابق برچسب روی ابزار برقی اطلاع دهید.

ایران

روبرت بوش ایران - شرکت بوش تجارت پارس
میدان ونک، خیابان شهید خدای، خیابان آفتاب
ساختمان مادیران، شماره 3، طبقه سوم.
تهران 1994834571
تلفن: 9821+ 42039000

حمل دستگاہ

باتریهای لیتیوم-یونی تابع مقررات حمل کالاهای پر خطر می باشند. کاربر می تواند باتریها را بدون استفاده از روکش در خیابان حمل کند.
در صورت ارسال توسط شخص ثالث (مانند: حمل و نقل هوایی یا زمینی) باید تمهیدات مربوط به بسته بندی و علامتگذاری مورد توجه قرار گیرد. در اینصورت باید حتماً جهت آماده سازی قطعه ارسالی به کارشناس حمل کالاهای پر خطر مراجعه کرد.
باتریها را فقط در صورتی ارسال کنید که بدنه آنها آسیب ندیده باشد. اتصالات (کنتاکتهای) باز را بیوشانید و باتری را طوری بسته بندی کنید که در بسته بندی تکان نخورد. در این باره لطفاً به مقررات و آیین نامه های ملی توجه کنید.

از رده خارج کردن دستگاہ

ابزارهای باغبانی، متعلقات و بسته بندی آن، باید طبق مقررات حفظ محیط زیست از رده خارج و بازیافت شوند.
ابزارهای باغبانی، دوشاخه و باتریها/باتری های قابل شارژ را داخل زباله دان خانگی نیاندازید!



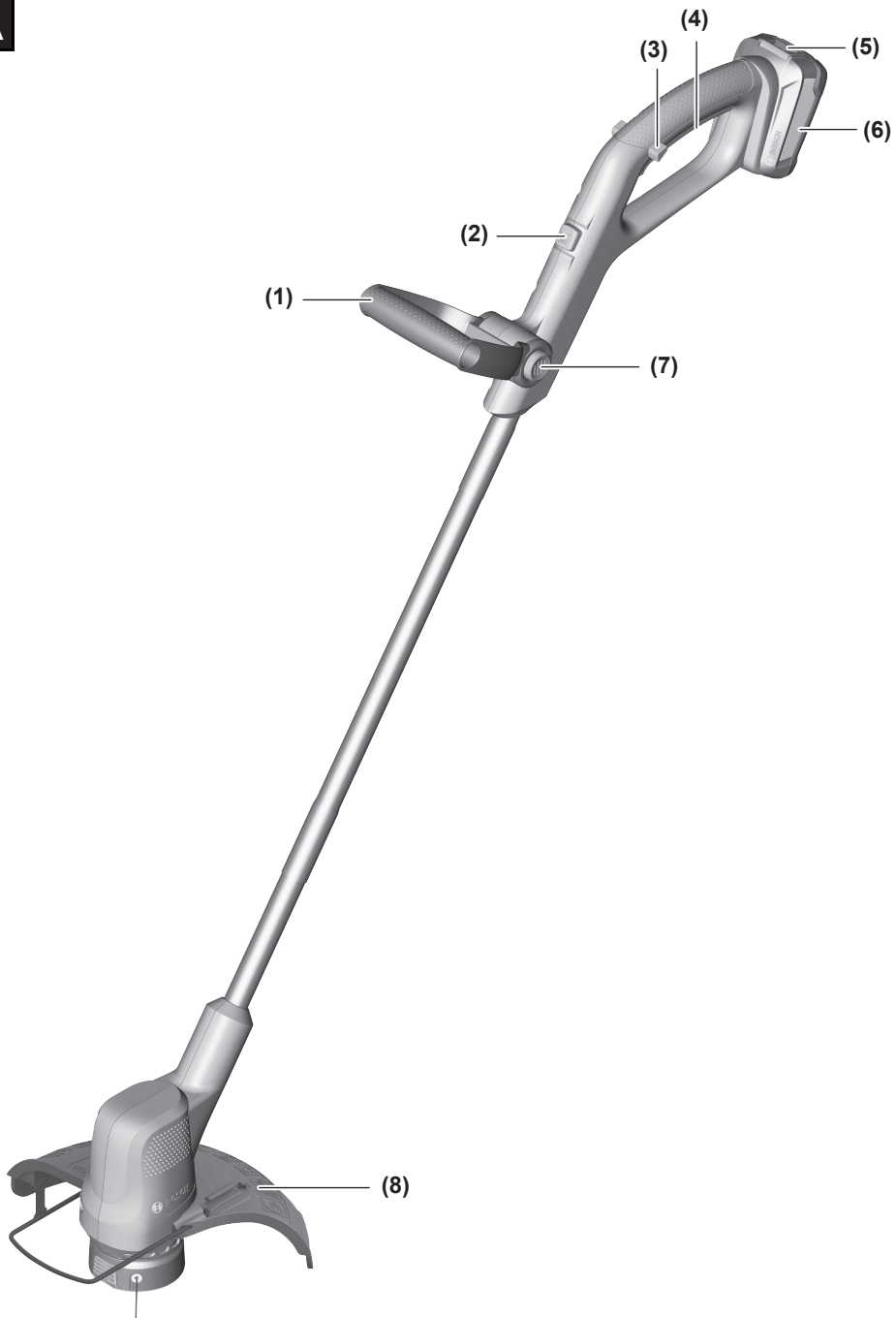
فقط برای کشورهای عضو اتحادیه اروپا:

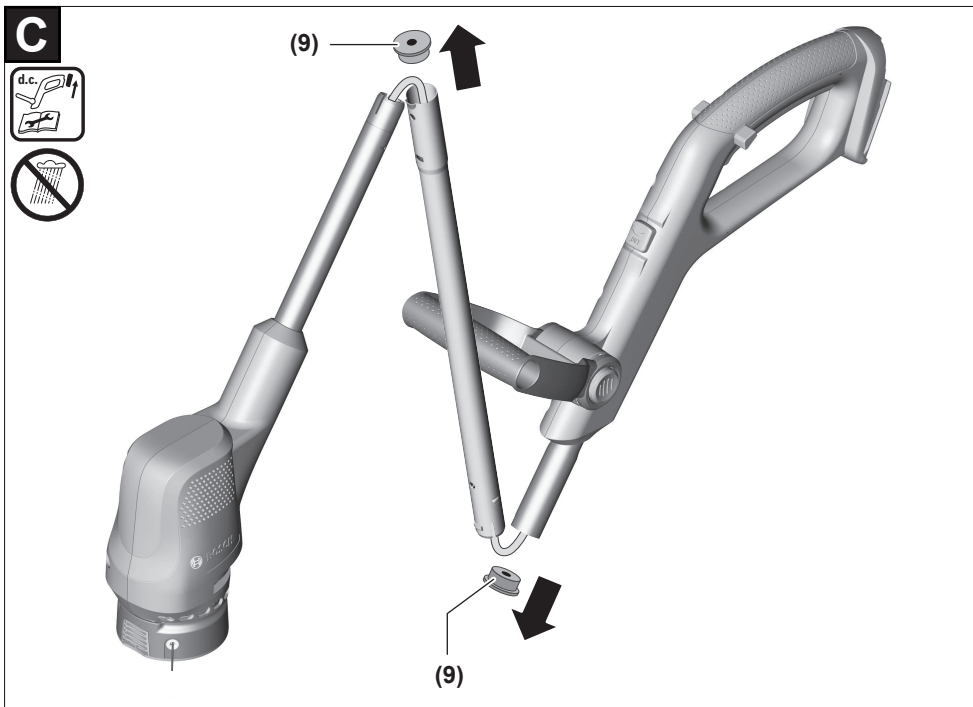
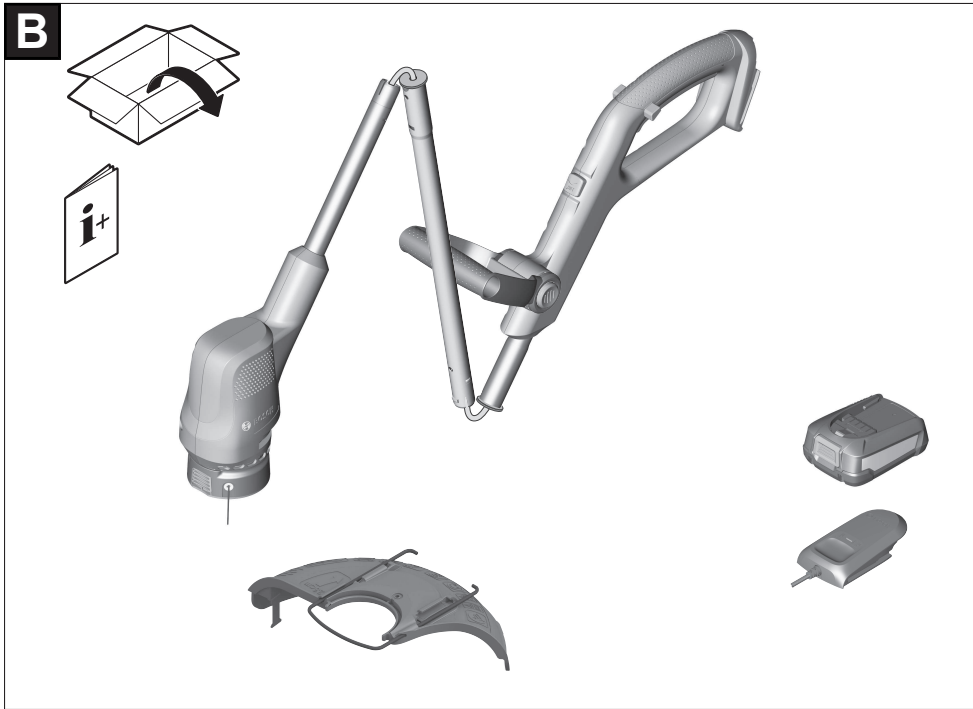
دستگاههای کهنه و غیر قابل استفاده الکتریکی طبق آئین نامه و دستورالعمل اروپایی EU/2012/19 و باتریهای خراب یا فرسوده براساس آیین نامه ی اروپایی EG/2006/66 بابستی جداگانه و متناسب با محیط زیست جمع آوری شوند.

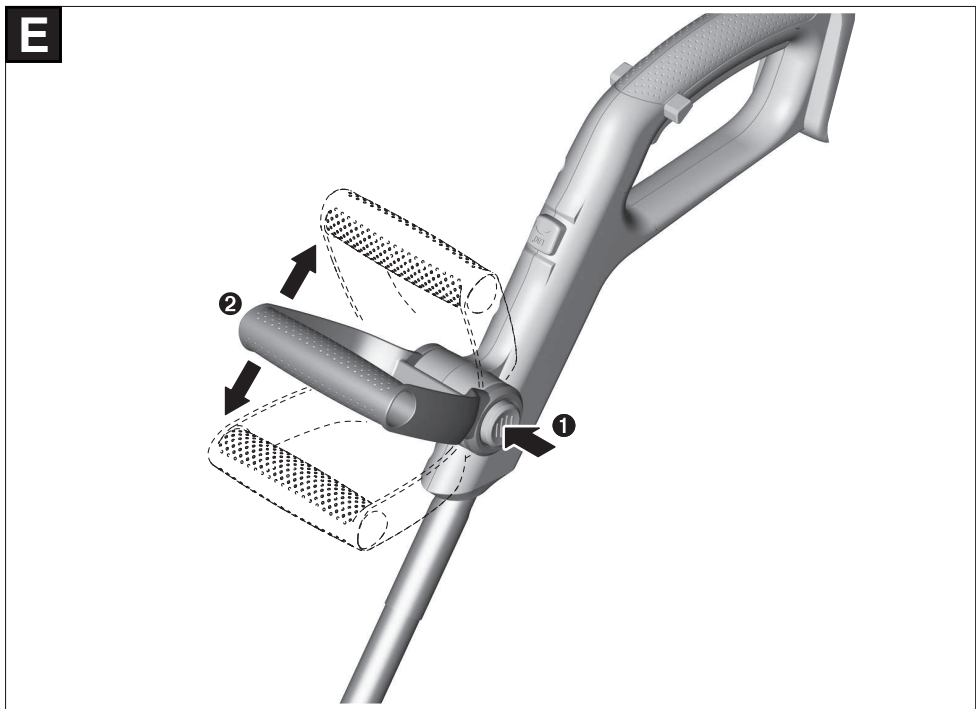
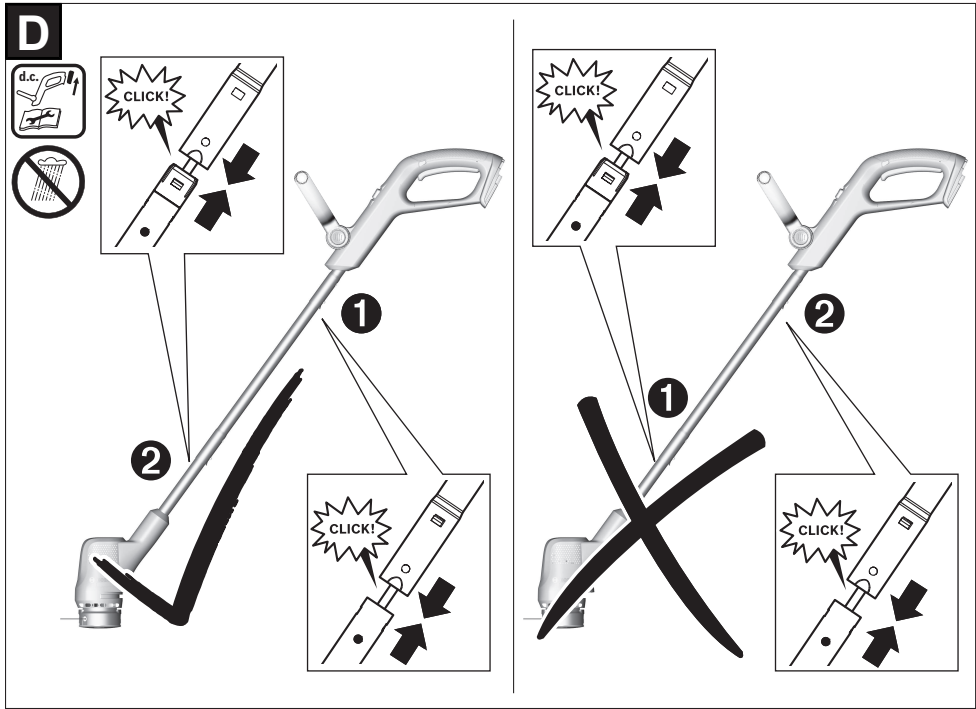
باتری های قلمی/شارژی:

لیتیوم یونی:

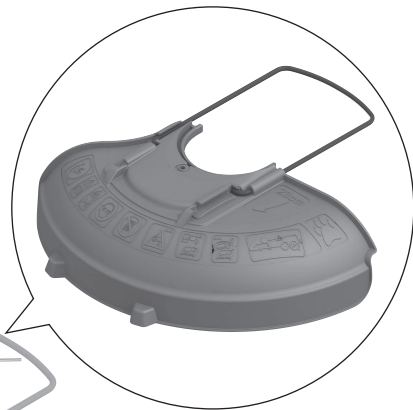
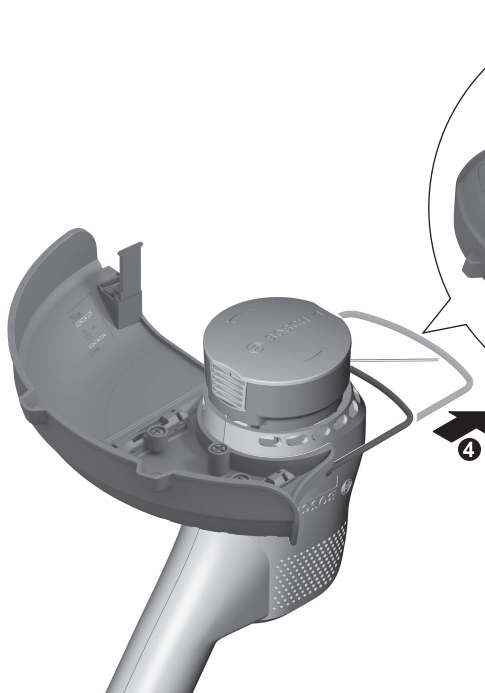
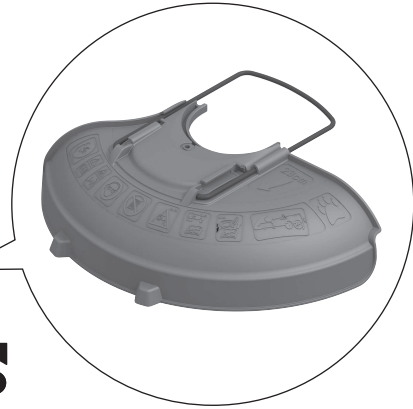
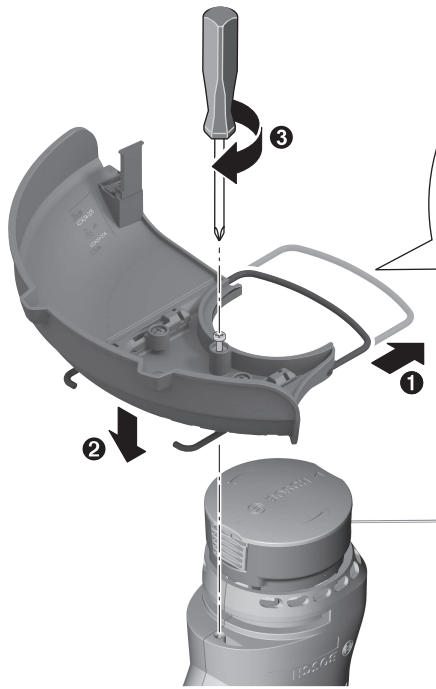
لطفاً به راهنماییهای در بخش حمل و نقل توجه نمایید.

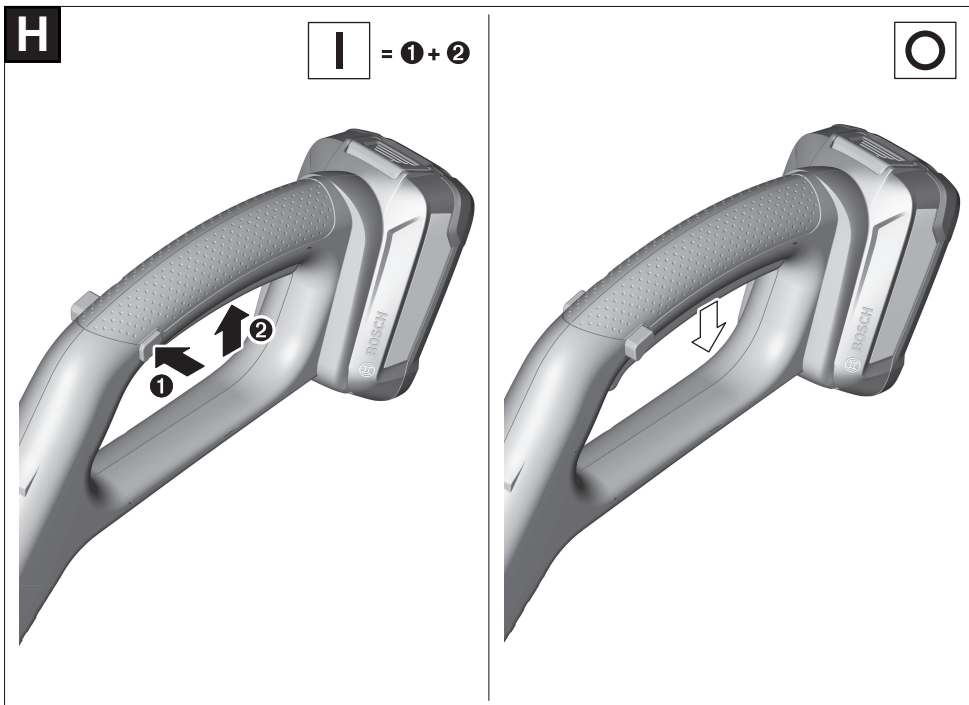
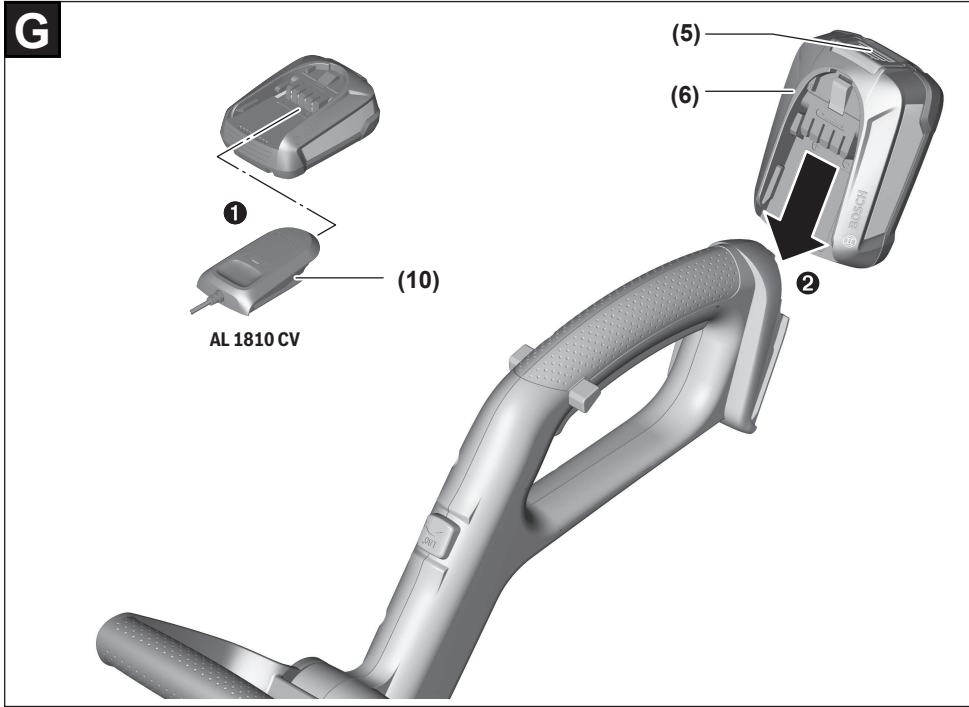
A

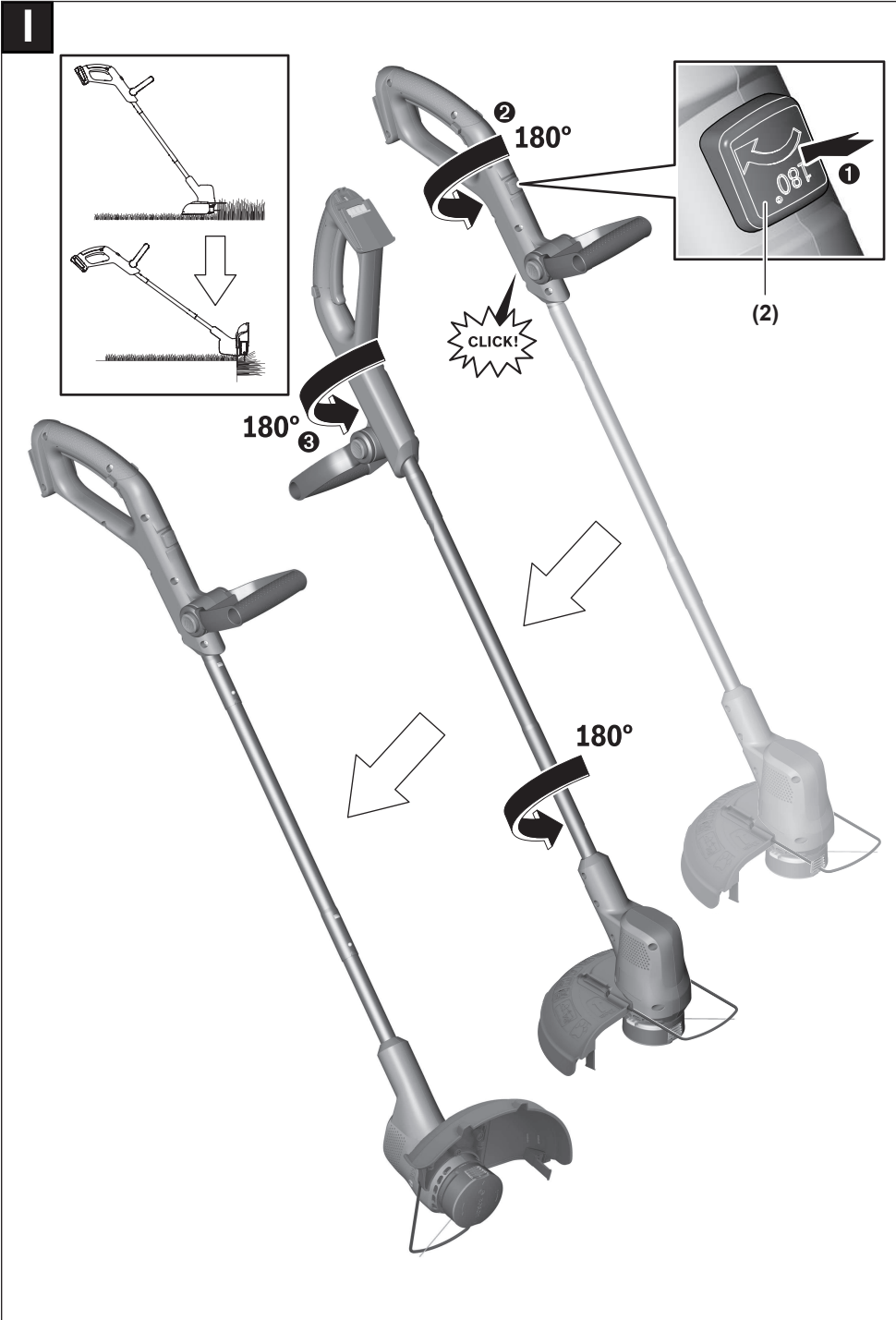


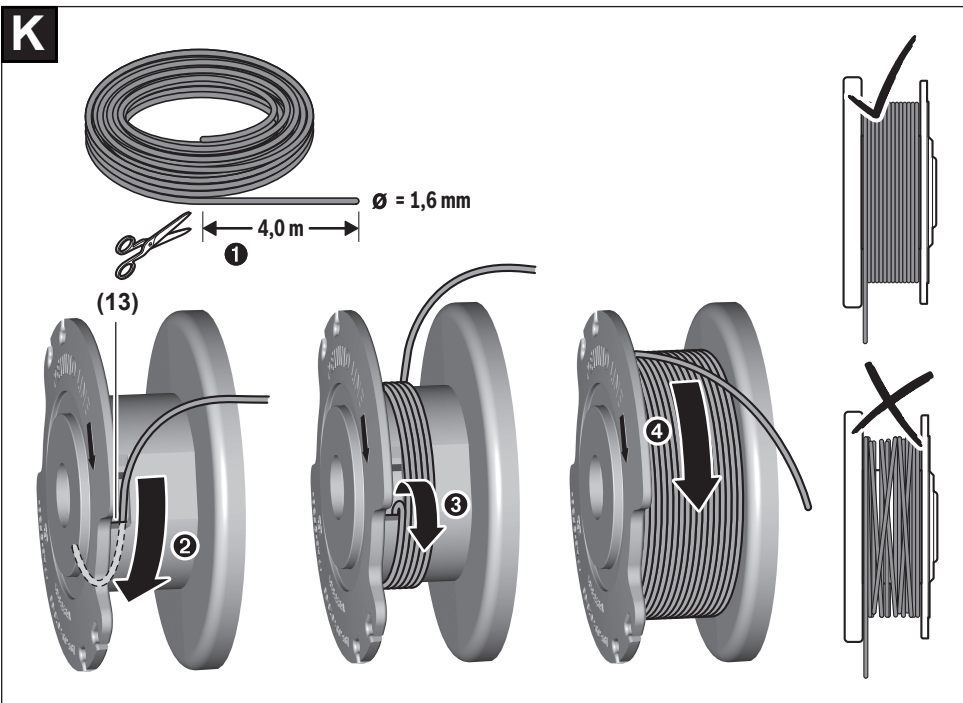
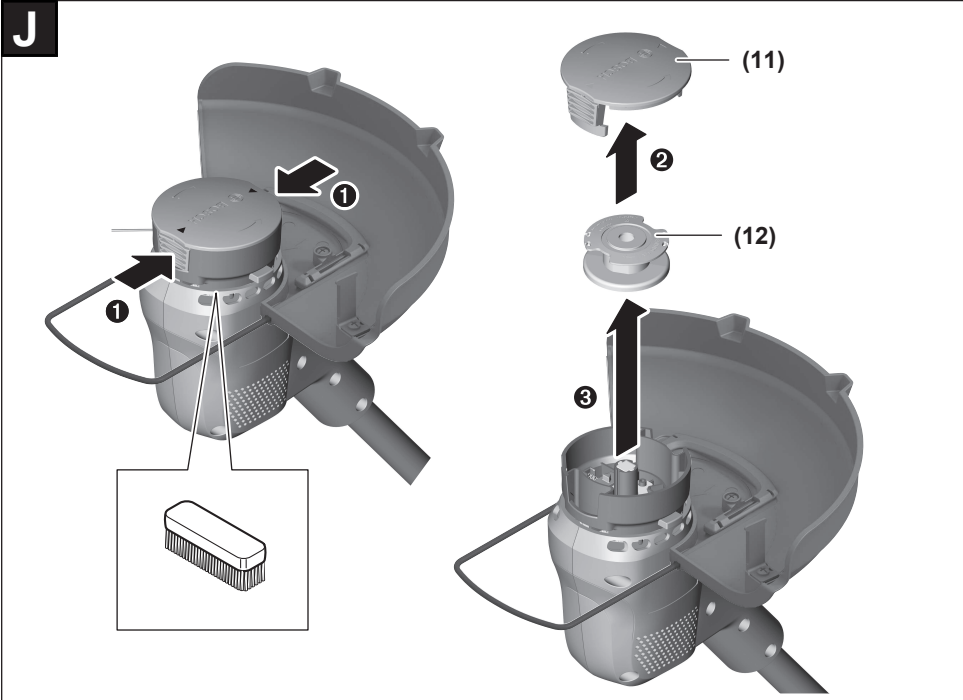


F

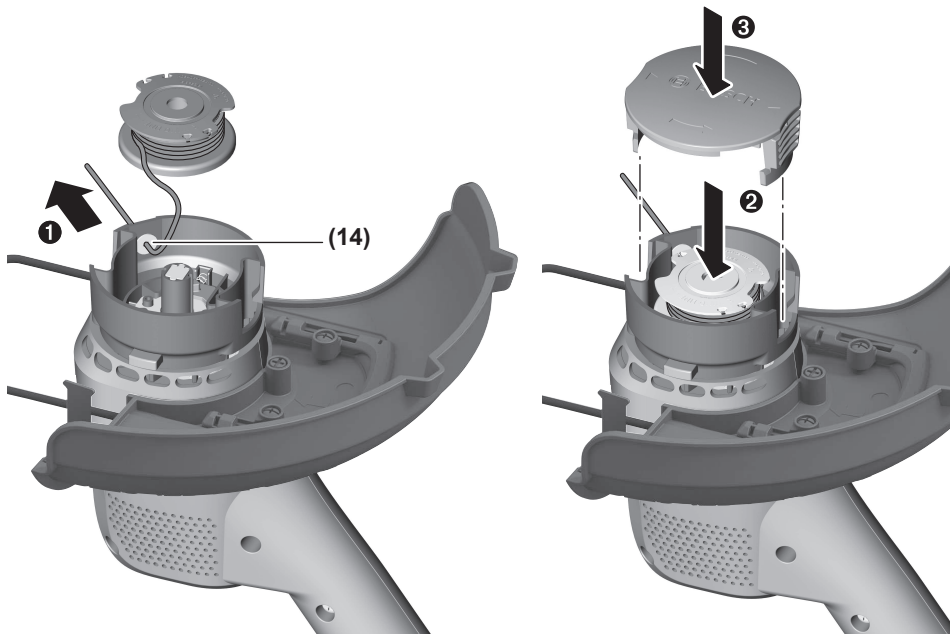




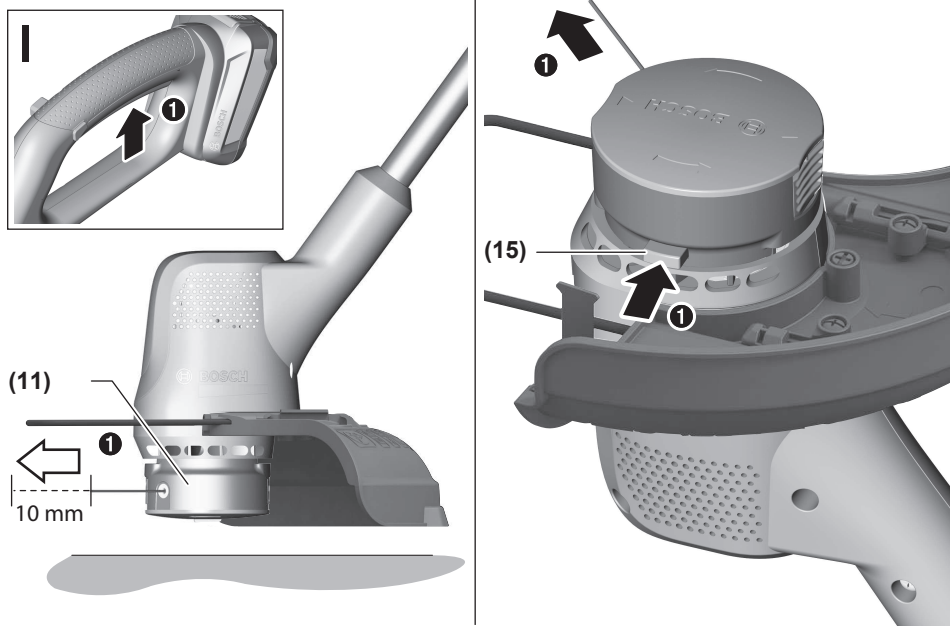


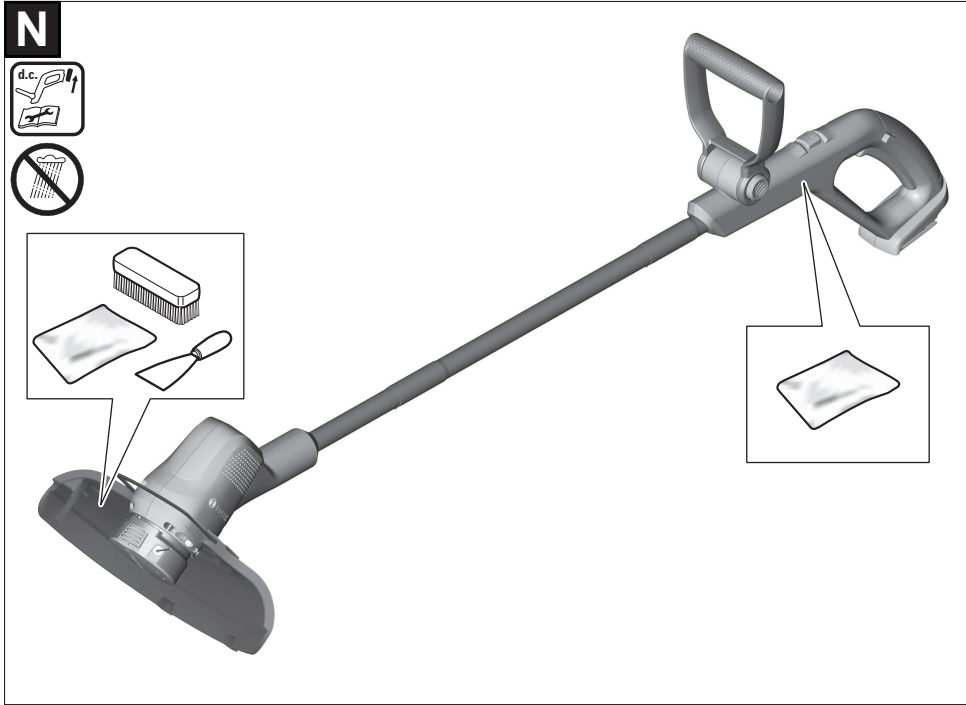


L



M





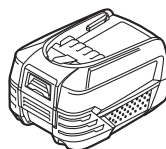
O

**18 V LI 2,5 Ah**

1 600 A00 5B0 (EU)
1 600 A01 1EJ (JP)



F 016 800 178

**18 V LI 4,0 Ah**

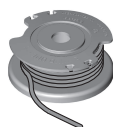
1 600 A01 1T8 (EU)
1 600 A01 3F6 (AUS)
1 600 A01 32J (JP)



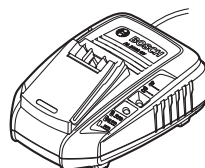
F 016 800 462

**18 V LI 6,0 Ah**

1 600 A00 DD7 (EU)
1 600 A01 3F5 (AUS)
1 600 A01 PD6 (JP)



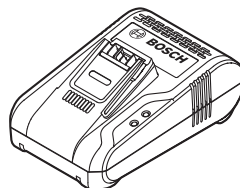
F 016 800 569

**AL 1830 CV**

1 600 A00 5B3 (EU)
1 600 A00 5B4 (UK)
1 600 A00 5B5 (AUS)



F 016 800 292
F 016 800 314

**AL 1880 CV**

1 600 A01 1TZ (EU)
1 600 A01 1U0 (UK)

**AL 1810 CV**

2 607 226 385 (EU)
2 607 226 387 (UK)

de	EU-Konformitätserklärung Rasentrimmer/Rasen- Sachnummer kantentrimmer	Wir erklären in alleiniger Verantwortung, dass die genannten Produkte allen einschlägigen Bestimmungen der nachfolgend aufgeführten Richtlinien und Verordnungen entsprechen und mit folgenden Normen übereinstimmen.
en	EU Declaration of Conformity Lawn Trimmer/Lawn Ed- Article number ge Trimmer	We declare under our sole responsibility that the stated products comply with all applicable provisions of the directives and regulations listed below and are in conformity with the following standards.
fr	Déclaration de conformité UE Coupe-herbes/coupe- N° d'article bordures	Nous déclarons sous notre propre responsabilité que les produits décrits sont en conformité avec les directives, règlements normatifs et normes énumérés ci-dessous.
es	Declaración de conformidad UE Cortador de césped/ N° de artículo Cortabordes	Declaramos bajo nuestra exclusiva responsabilidad, que los productos nombrados cumplen con todas las disposiciones correspondientes de las Directivas y los Reglamentos mencionados a continuación y están en conformidad con las siguientes normas.
pt	Declaração de Conformidade UE Aparador de relva/Apa- N.º do produto rador de bordas de rel- vas	Declaramos sob nossa exclusiva responsabilidade que os produtos mencionados cumprem todas as disposições e os regulamentos indicados e estão em conformidade com as seguintes normas.
it	Dichiarazione di conformità UE Tosaerba a filo/Taglia- Codice prodotto bordi	Dichiariamo sotto la nostra piena responsabilità che i prodotti indicati sono conformi a tutte le disposizioni pertinenti delle Direttive e dei Regolamenti elencati di seguito, nonché alle seguenti Normative.
nl	EU-conformiteitsverklaring Gazon- en randentrim- Productnummer mer	Wij verklaren op eigen verantwoordelijkheid dat de genoemde producten voldoen aan alle desbetreffende bepalingen van de hierna genoemde richtlijnen en verordeningen en overeenstemmen met de volgende normen.
da	EU-overensstemmelseserklæring Græstrimmer/græs- Typenummer kanttrimmer	Vi erklærer som eneansvarlige, at det beskrevne produkt er i overensstemmelse med alle gældende bestemmelser i følgende direktiver og forordninger og opfylder følgende standarder.
sv	EU-konformitetsförklaring Grästrimmer/gräskant- Produktnummer strimmer	Vi förklarar under eget ansvar att de nämnda produkterna uppfyller kraven i alla gällande bestämmelser i de nedan angivna direktiven och förordningarnas och att de stämmer överens med följande normer.
no	EU-samsvarserklæring Gresstrimmer/kanttrim- Produktnummer mer	Vi erklærer under eneansvar at de nevnte produktene er i overensstemmelse med alle relevante bestemmelser i direktivene og forordningene nedenfor og med følgende standarder.
fi	EU-vaatimustenmukaisuusvakuutus Viimeistelyleikkuri/ruo- Tuotenumero hon reunaleikkuri	Vakuutamme täten, että mainitut tuotteet vastaavat kaikkia seuraavien direktiivien ja asetusten asiaankuuluvia vaatimuksia ja ovat seuraavien standardien vaatimusten mukaisia.
el	Δήλωση πιστότητας ΕΕ Χορτοκοπτικό Αριθμός ευρετηρίου μεισνήζας / Χλοοκοπτικό παρυφών	Δηλώνουμε με αποκλειστική μας ευθύνη, ότι τα αναφερόμενα προϊόντα αντιστοιχούν σε όλες τις σχετικές διατάξεις των πιο κάτω αναφερόμενων οδηγιών και κανονισμών και ταυτίζονται με τα ακόλουθα πρότυπα.
tr	AB Uygunluk beyanı Misinali çim biçme ma- Ürün kodu kinesi/misinali kenar biçme makinesi	Tek sorumlu olarak, tanımlanan ürünün aşağıdaki yönetmelik ve direktiflerin geçerli bütün hükümlerine ve aşağıdaki standartlara uygun olduğunu beyan ederiz.
pl	Deklaracja zgodności UE	Oświadczamy z pełną odpowiedzialnością, że niniejsze produkty odpowiadają wszystkim wymaganiom poniżej wyszczególnionych dyrektyw i rozporządzeń, oraz że są zgodne z następującymi normami.

	Podkaszarka do trawy/ do przycinania krawędzi trawników	Numer katalogowy	
cs	EU prohlášení oshodě Sekačka na trávu/se- kačka na okraje trávní- ku	Objednací číslo	Prohlašujeme na výhradní zodpovědnost, že uvedený výrobek splňuje všechna příslušná ustanovení níže uvedených směrníc a nařízení a je v souladu s následujícími normami:*
sk	EÚ vyhlásenie ozhode Strunová kosačka na trávník/strunová kosač- ka na okraje trávnika	Vecné číslo	Vyhlasujeme na výhradnú zodpovednosť, že uvedený výrobok spĺňa všetky príslušné ustanovenia nižšie uvedených smerníc a nariadení a je v súlade s nasledujúcimi normami:
hu	EU konformitási nyilatkozat Gyepnyíró/Fűszegé- lynyíró	Cikkszám	Egyedüli felelősséggel kijelentjük, hogy a megnevezett termék megfelelnek az alábbiakban felsorolásra kerülő irányelvek és rendeletek valamennyi idevágó előírásainak és megfelelnek a következő szabványoknak.
ru	Заявление о соответствии ЕС Триммер/триммер для обрезки края газона	Товарный №	Мы заявляем под нашу единоличную ответственность, что названные продукты соответствуют всем действующим предписаниям нижеуказанных директив и распоряжений, а также нижеуказанных норм.
uk	Заява про відповідність ЄС Триммер/триммер для підрізання країв	Товарний номер	Ми заявляємо під нашу одноосібну відповідальність, що названі вироби відповідають усім чинним положенням нижчеозначених директив і розпоряджень, а також нижчеозначеним нормам.
kk	EO сәйкестік мағлұмдамасы Шөп кесу триммери / жиек кесу үшін триммер	Өнім нөмірі	Өз жауапкершілікпен біз аталған өнімдер төменде жазылған директикалар мен жарлықтардың тиісті қағидаларына сәйкестігін және төмендегі нормаларға сай екенін білдіреміз.
ro	Declarație de conformitate UE Trimmer de gazon/trim- mer margini de gazon	Număr de identificare	Declarăm pe proprie răspundere că produsele menționate corespund tuturor dispozițiilor relevante ale directivelor și reglementărilor enumerate în cele ce urmează și sunt în conformitate cu următoarele standarde.
bg	ЕС декларация за съответствие Тревокосачка/ тревокосачка за ко- сене в ъгли	Каталожен номер	С пълна отговорност ние декларираме, че посочените продукти отговарят на всички валидни изисквания на директивите и разпоредбите по-долу и съответства на следните стандарти.
mk	EU-Изјава за сообразност Триммер за трева/ триммер за рабови	Број на дел/артикл	Со целосна одговорност изјавуваме, дека опишаните производи се во согласност со сите релевантни одредби на следните регулативи и прописи и се во согласност со следните норми.
sr	EU-izjava o usaglašenosti Trimer za travu/trimer za rezanje oko ivica	Broj predmeta	Na sopstvenu odgovornost izjavljujemo, da navedeni proizvodi odgovaraju svim dotičnim odredbama naknadno navedenih smernica u uredaba i da su u skladu sa sledećim standardima.
sl	Izjava o skladnosti EU Kosilnica z nitjo/kosilni- ca z nitjo za robove trate	Številka artikla	Izjavljamo pod izključno odgovornostjo, da je omenjen izdelek v skladu z vsemi relevantnimi določili direktiv in uredb ter ustreza naslednjim standardom.
hr	EU izjava o sukladnosti Šišač trave/šišač trave uz rubove	Kataloški br.	Pod punom odgovornošću izjavljujemo da navedeni proizvodi odgovaraju svim relevantnim odredbama direktiva i propisima navedenima u nastavku i da su sukladni sa sledećim normama.
et	EL-vastavusdeklaratsioon Murutrimmer/muruser- vatrimmer	Tootenumber	Kinnitame ainuvastutajatena, et nimetatud tooted vastavad järgnevalt loetletud direktiivide ja määruste kõikidele asjaomastele nõuetele ja on kooskõlas järgmistega normidega.

lv	Deklarācija par atbilstību ES standartiem		Mēs ar pilnu atbildību paziņojam, ka šeit aplūkotie izstrādājumi atbilst visiem tālāk minētajās direktīvās un rīkojumos ietvertajām saistošajām nostādņēm, kā arī sekojošiem standartiem.
	Zāliena trimeris / Zāliena malu trimeris	Izstrādājuma numurs	
lt	ES atitiktās deklarācija		Atsakingai pareiškiam, kad išvardyti gaminiai atitinka visus privalomus žemiau nurodytų direktyvų ir reglamentų reikalavimus ir šiuos standartus.
	Žoliapjovė / pakraščių žoliapjovė	Gaminio numeris	

EasyGrassCut 18	3 600 HC1 A..	2006/42/EC
EasyGrassCut 18-26	3 600 HC1 C..	2014/30/EU
EasyGrassCut 18-230		2011/65/EU
EasyGrassCut 18-260		2000/14/EC
		EN 60335-1:2012+A11:2014+A13:2017+A1:2019
		+A2:2019+ A14:2019
		EN 50636-2-91: 2014
		EN55014-1: 2017+A11: 2020
		EN 55014-2:2015
		EN 50581:2012

de	<p>3 600 HC1 A.. : 2000/14/EG: Gemessener Schalleistungspegel 82 dB(A), Unsicherheit K = 1.0 dB, garantierter Schalleistungspegel 88 dB(A)</p> <p>3 600 HC1 C.. : 2000/14/EG: Gemessener Schalleistungspegel 85 dB(A), Unsicherheit K = 1.0 dB, garantierter Schalleistungspegel 86 dB(A)</p> <p>Bewertungsverfahren der Konformität gemäß Anhang VI. Produktkategorie: 33 Benannte Stelle: DEKRA Certification B.V. Meander 1051, P.O. Box 5185, 6802 ED Arnhem, Netherlands, Nr. 0344 Technische Unterlagen bei: *</p>
en	<p>3 600 HC1 A.. : 2000/14/EC: Measured sound power level 82 dB(A), uncertainty K = 1.0 dB, guaranteed sound power level 88 dB(A)</p> <p>3 600 HC1 C.. : 2000/14/EC: Measured sound power level 85 dB(A), uncertainty K = 1.0 dB, guaranteed sound power level 86 dB(A)</p> <p>Conformity assessment procedure in accordance with annex VI. Product category: 33 Notified body: DEKRA Certification B.V. Meander 1051, P.O. Box 5185, 6802 ED Arnhem, Netherlands, Nr. 0344 Technical file at: *</p>
fr	<p>3 600 HC1 A.. : 2000/14/CE : niveau de puissance acoustique mesuré 82 dB(A), incertitude K = 1.0 dB, niveau de puissance acoustique garanti 88 dB(A)</p> <p>3 600 HC1 C.. : 2000/14/CE : niveau de puissance acoustique mesuré 85 dB(A), incertitude K = 1.0 dB, niveau de puissance acoustique garanti 86 dB(A)</p> <p>Procédure d'évaluation de conformité selon l'annexe VI. Catégorie de produit : 33 Centre de contrôle cité : DEKRA Certification B.V. Meander 1051, P.O. Box 5185, 6802 ED Arnhem, Netherlands, Nr. 0344 Dossier technique auprès de : *</p>
es	<p>3 600 HC1 A.. : 2000/14/CE: nivel medido de la potencia acústica 82 dB(A), tolerancia K = 1.0 dB, nivel garantizado de la potencia acústica 88 dB(A)</p> <p>3 600 HC1 C.. : 2000/14/CE: nivel medido de la potencia acústica 85 dB(A), tolerancia K = 1.0 dB, nivel garantizado de la potencia acústica 86 dB(A)</p> <p>Método de evaluación de la conformidad según anexo VI. Categoría de producto: 33 Lugar denominado: DEKRA Certification B.V. Meander 1051, P.O. Box 5185, 6802 ED Arnhem, Netherlands, Nr. 0344 Documentos técnicos de: *</p>
pt	<p>3 600 HC1 A.. : 2000/14/CE: Nível de potência acústica medido 82 dB(A), insegurança K = 1.0 dB, nível de potência acústica garantido 88 dB(A)</p> <p>3 600 HC1 C.. : 2000/14/CE: Nível de potência acústica medido 85 dB(A), insegurança K = 1.0 dB, nível de potência acústica garantido 86 dB(A)</p> <p>Processo de avaliação da conformidade de acordo com o anexo VI. Categoria de produto: 33 Organismo notificado: DEKRA Certification B.V. Meander 1051, P.O. Box 5185, 6802 ED Arnhem, Netherlands, Nr. 0344 Documentação técnica pertencente à: *</p>
it	<p>3 600 HC1 A.. : 2000/14/CE: livello di potenza sonora misurato 82 dB(A), incertezza K = 1.0 dB, livello di potenza sonora garantito 88 dB(A)</p> <p>3 600 HC1 C.. : 2000/14/CE: livello di potenza sonora misurato 85 dB(A), incertezza K = 1.0 dB, livello di potenza sonora garantito 86 dB(A)</p> <p>Procedimento di valutazione della conformità secondo l'Allegato VI. Categoria prodotto: 33 Ente incaricato: DEKRA Certification B.V. Meander 1051, P.O. Box 5185, 6802 ED Arnhem, Netherlands, Nr. 0344 Documentazione Tecnica presso: *</p>
nl	<p>3 600 HC1 A.. : 2000/14/EG: gemeten geluidsvermogensniveau 82 dB(A), onzekerheid K = 1.0 dB, gegarandeerd geluidsvermogensniveau 88 dB(A)</p>

3 600 HC1 C.. : 2000/14/EG: gemeten geluidsvermogensniveau **85** dB(A), onzekerheid K = **1.0** dB, gegarandeerd geluidsvermogensniveau **86** dB(A)

Beoordelingsmethode van de overeenstemming volgens bijlage **VI**. Productcategorie: **33**

Aangewezen instantie: **DEKRA Certification B.V. Meander 1051, P.O. Box 5185, 6802 ED Arnhem, Netherlands, Nr. 0344**

Technisch dossier bij: *

da **3 600 HC1 A..** : 2000/14/EF: Målt lydeffektniveau **82** dB(A), usikkerhed K = **1.0** dB, garanteret lydeffektniveau **88** dB(A)

3 600 HC1 C.. : 2000/14/EF: Målt lydeffektniveau **85** dB(A), usikkerhed K = **1.0** dB, garanteret lydeffektniveau **86** dB(A)

Overensstemmelsesvurderingsprocedure som omhandlet i bilag **VI**. Produktkategori: **33**

Bemyndiget organ: **DEKRA Certification B.V. Meander 1051, P.O. Box 5185, 6802 ED Arnhem, Netherlands, Nr. 0344**

Tekniske bilag ved: *

sv **3 600 HC1 A..** : 2000/14/EG: Uppmått bullernivå **82** dB(A), osäkerhet K = **1.0** dB, garanterad bullernivå **88** dB(A)

3 600 HC1 C.. : 2000/14/EG: Uppmått bullernivå **85** dB(A), osäkerhet K = **1.0** dB, garanterad bullernivå **86** dB(A)

Konformitetens bedömningsmetod enligt bilaga **VI**. Produktkategori: **33**

Angivet provningsställe: **DEKRA Certification B.V. Meander 1051, P.O. Box 5185, 6802 ED Arnhem, Netherlands, Nr. 0344**

Teknisk dokumentation: *

no **3 600 HC1 A..** : 2000/14/EC: Målt lydeffektnivå **82** dB(A), usikkerhet K = **1.0** dB, garantert lydeffektnivå **88** dB(A)

3 600 HC1 C.. : 2000/14/EC: Målt lydeffektnivå **85** dB(A), usikkerhet K = **1.0** dB, garantert lydeffektnivå **86** dB(A)

Samsvarsvurderingsmetode i henhold til vedlegg **VI**. Produktkategori: **33**

Bemyndiget organ: **DEKRA Certification B.V. Meander 1051, P.O. Box 5185, 6802 ED Arnhem, Netherlands, Nr. 0344**

Teknisk dokumentasjon hos: *

fi **3 600 HC1 A..** : 2000/14/EY: mitattu äänitehotaso **82** dB(A), epävarmuus K = **1.0** dB, taattu äänitehotaso **88** dB(A)

3 600 HC1 C.. : 2000/14/EY: mitattu äänitehotaso **85** dB(A), epävarmuus K = **1.0** dB, taattu äänitehotaso **86** dB(A)

Vaatimustenmukaisuuden arviointimenetelmä liitteen **VI** mukaisesti. Tuotekategoria: **33**

Ilmoitettu laitos: **DEKRA Certification B.V. Meander 1051, P.O. Box 5185, 6802 ED Arnhem, Netherlands, Nr. 0344**

Tekniset asiakirjat saatavana: *

el **3 600 HC1 A..** : 2000/14/EK: Μετρημένη στάθμη ηχητικής ισχύος **82** dB(A), ανασφάλεια K = **1.0** dB, εγγυημένη στάθμη ηχητικής ισχύος **88** dB(A).

3 600 HC1 C.. : 2000/14/EK: Μετρημένη στάθμη ηχητικής ισχύος **85** dB(A), ανασφάλεια K = **1.0** dB, εγγυημένη στάθμη ηχητικής ισχύος **86** dB(A).

Διαδικασία αξιολόγησης της πιστότητας σύμφωνα με το παράρτημα **VI**. Κατηγορία προϊόντος: **33**

Αναφερόμενος οργανισμός: **DEKRA Certification B.V. Meander 1051, P.O. Box 5185, 6802 ED Arnhem, Netherlands, Nr. 0344**

Τεχνικά έγγραφα στη:

tr **3 600 HC1 A..** : 2000/14/EC: Ölçülen ses gücü seviyesi **82** dB(A), tolerans K = **1.0** dB, garanti edilen ses gücü seviyesi **88** dB(A)

3 600 HC1 C.. : 2000/14/EC: Ölçülen ses gücü seviyesi **85** dB(A), tolerans K = **1.0** dB, garanti edilen ses gücü seviyesi **86** dB(A)

Uygunluk değerlendirme yöntemi ek **VI** uyarınca. Ürün kategorisi: **33**

Onaylanmış kuruluş: **DEKRA Certification B.V. Meander 1051, P.O. Box 5185, 6802 ED Arnhem, Netherlands, Nr. 0344**

Teknik belgelerin bulunduğu yer:

pl **3 600 HC1 A..** : 2000/14/WE: pomierzony poziom mocy akustycznej **82** dB(A), niepewność K = **1.0** dB, gwarantowany poziom mocy akustycznej **88** dB(A)

3 600 HC1 C.. : 2000/14/WE: pomierzony poziom mocy akustycznej **85 dB(A)**, niepewność K = **1.0 dB**, gwarantowany poziom mocy akustycznej **86 dB(A)**

Procedura oceny zgodności zgodnie z załącznikiem VI. Kategoria produktów: **33**

Jednostka certyfikująca: **DEKRA Certification B.V. Meander 1051, P.O. Box 5185, 6802 ED Arnhem, Netherlands, Nr. 0344**

Dokumentacja techniczna: *

cs **3 600 HC1 A..** : 2000/14/ES: změřená hladina akustického výkonu **82 dB(A)**, nejistota K = **1.0 dB**, zaručená hladina akustického výkonu **88 dB(A)**

3 600 HC1 C.. : 2000/14/ES: změřená hladina akustického výkonu **85 dB(A)**, nejistota K = **1.0 dB**, zaručená hladina akustického výkonu **86 dB(A)**

Metoda posouzení shody podle dodatku VI. Kategorie výrobku: **33**

Uvedená zkušební instituce: **DEKRA Certification B.V. Meander 1051, P.O. Box 5185, 6802 ED Arnhem, Netherlands, Nr. 0344**

Technické podklady u: *

sk **3 600 HC1 A..** : 2000/14/ES: odmeraná hladina akustického výkonu **82 dB(A)**, neistota K = **1.0 dB**, zaručená hladina akustického výkonu **88 dB(A)**

3 600 HC1 C.. : 2000/14/ES: odmeraná hladina akustického výkonu **85 dB(A)**, neistota K = **1.0 dB**, zaručená hladina akustického výkonu **86 dB(A)**

Metóda posúdenia zhody podľa dodatku VI. Kategória výrobku: **33**

Uvedená skúšobná inštitúcia: **DEKRA Certification B.V. Meander 1051, P.O. Box 5185, 6802 ED Arnhem, Netherlands, Nr. 0344**

Technické podklady má spoločnosť: *

hu **3 600 HC1 A..** : 2000/14/EK: Mért hangteljesítmény-szint **82 dB(A)**, szórás K = **1.0 dB**, garantált hangteljesítmény-szint **88 dB(A)**

3 600 HC1 C.. : 2000/14/EK: Mért hangteljesítmény-szint **85 dB(A)**, szórás K = **1.0 dB**, garantált hangteljesítmény-szint **86 dB(A)**

A konformitás kiértékelési eljárást lásd a VI Függelékben. Termékkategória: **33**

Megnevezett intézet: **DEKRA Certification B.V. Meander 1051, P.O. Box 5185, 6802 ED Arnhem, Netherlands, Nr. 0344**

Műszaki dokumentumok megőrzési pontja: *

ru **3 600 HC1 A..** : 2000/14/EC: Измеренный уровень звуковой мощности **82 дБ(A)**, погрешность K = **1.0 дБ**, гарантированный уровень звуковой мощности **88 дБ(A)**

3 600 HC1 C.. : 2000/14/EC: Измеренный уровень звуковой мощности **85 дБ(A)**, погрешность K = **1.0 дБ**, гарантированный уровень звуковой мощности **86 дБ(A)**

Процедура оценки соответствия согласно приложения VI. Категория продукта: **33**

Назначенный орган: **DEKRA Certification B.V. Meander 1051, P.O. Box 5185, 6802 ED Arnhem, Netherlands, Nr. 0344**

Техническая документация хранится у: *

uk **3 600 HC1 A..** : 2000/14/EC: виміряна звукова потужність **82 дБ(A)**, похибка K = **1.0 дБ**, гарантована звукова потужність **88 дБ(A)**

3 600 HC1 C.. : 2000/14/EC: виміряна звукова потужність **85 дБ(A)**, похибка K = **1.0 дБ**, гарантована звукова потужність **86 дБ(A)**

Процедура оцінки відповідності відповідно до додатку VI. Категорія продукту: **33**

Призначений орган: **DEKRA Certification B.V. Meander 1051, P.O. Box 5185, 6802 ED Arnhem, Netherlands, Nr. 0344**

Технічна документація зберігається у: *

kk **3 600 HC1 A..** : 2000/14/EC: Өлшелген дыбыс қаттылығы **82 дБ(A)**, дәлсіздік K = **1.0 дБ**, кепілденген дыбыс қаттылығы **88 дБ(A)**

3 600 HC1 C.. : 2000/14/EC: Өлшелген дыбыс қаттылығы **85 дБ(A)**, дәлсіздік K = **1.0 дБ**, кепілденген дыбыс қаттылығы **86 дБ(A)**

Сәйкестікті анықтау әдісі **VI** тіркелгісі бойынша. Өнім санаты: **33**

Аталған жай: **DEKRA Certification B.V. Meander 1051, P.O. Box 5185, 6802 ED Arnhem, Netherlands, Nr. 0344**

Техникалық құжаттар: *

ro **3 600 HC1 A..** : 2000/14/CE: Nivel măsurat al puterii sonore **82** dB(A), incertitudine K = **1.0** dB, nivel garantat al puterii sonore **88** dB(A)

3 600 HC1 C.. : 2000/14/CE: Nivel măsurat al puterii sonore **85** dB(A), incertitudine K = **1.0** dB, nivel garantat al puterii sonore **86** dB(A)

Procedură de evaluare a conformității potrivit Anexei **VI**. Categorie produse: **33**

Organism notificat: **DEKRA Certification B.V. Meander 1051, P.O. Box 5185, 6802 ED Arnhem, Netherlands, Nr. 0344**

Documentație tehnică la: *

bg **3 600 HC1 A..** : 2000/14/EO: измерено ниво на звуковата мощност **82** dB(A), неопределеност K = **1.0** dB, гарантирано ниво на мощността на звука **88** dB(A)

3 600 HC1 C.. : 2000/14/EO: измерено ниво на звуковата мощност **85** dB(A), неопределеност K = **1.0** dB, гарантирано ниво на мощността на звука **86** dB(A)

Метод за оценка на съответствието съгласно приложение **VI**. Категория продукт: **33**

Сертифициращ орган: **DEKRA Certification B.V. Meander 1051, P.O. Box 5185, 6802 ED Arnhem, Netherlands, Nr. 0344**

Техническа документация при: *

mk **3 600 HC1 A..** : 2000/14/EC: Измерено ниво на звучна јачина **82** dB(A), несигурност K = **1.0** dB, загарантирано ниво на звучна јачина **88** dB(A)

3 600 HC1 C.. : 2000/14/EC: Измерено ниво на звучна јачина **85** dB(A), несигурност K = **1.0** dB, загарантирано ниво на звучна јачина **86** dB(A)

Постапка за процена на сообразноста според прилог **VI**. Категорија на производ: **33**

Назначено тело: **DEKRA Certification B.V. Meander 1051, P.O. Box 5185, 6802 ED Arnhem, Netherlands, Nr. 0344**

Техничка документација кај: *

sr **3 600 HC1 A..** : 2000/14/EC: izmereni nivo ostvarene buke **82** dB(A), nepouzdanost K== **1.0** dB, garantovani nivo ostvarene buke **88** dB(A)

3 600 HC1 C.. : 2000/14/EC: izmereni nivo ostvarene buke **85** dB(A), nepouzdanost K== **1.0** dB, garantovani nivo ostvarene buke **86** dB(A)

Postupak ocenjivanja usaglašenosti prema prilogu **VI**. Kategorija proizvoda: **33**

nadležna instanca: **DEKRA Certification B.V. Meander 1051, P.O. Box 5185, 6802 ED Arnhem, Netherlands, Nr. 0344**

Tehnička dokumentacija kod: *

sl **3 600 HC1 A..** : 2000/14/ES: Izmerjena raven zvočne moči **82** dB(A), negotovost K = **1.0** dB, zagotovljena raven zvočne moči **88** dB(A)

3 600 HC1 C.. : 2000/14/ES: Izmerjena raven zvočne moči **85** dB(A), negotovost K = **1.0** dB, zagotovljena raven zvočne moči **86** dB(A)

Postopek za presojo skladnosti v skladu s prilogo **VI**. Kategorija izdelka: **33**

Pristojni organ: **DEKRA Certification B.V. Meander 1051, P.O. Box 5185, 6802 ED Arnhem, Netherlands, Nr. 0344**

Tehnična dokumentacija pri: *

hr **3 600 HC1 A..** : 2000/14/EZ: Izmerjena razina učinka buke **82** dB(A), nesigurnost K = **1.0** dB, zajamčena razina učinka buke **88** dB(A)

3 600 HC1 C.. : 2000/14/EZ: Izmerjena razina učinka buke **85** dB(A), nesigurnost K = **1.0** dB, zajamčena razina učinka buke **86** dB(A)

Postupak ocenjivanja sukladnosti prema dodatku **VI**. Kategorija proizvoda: **33**

Tijelo za ocjenjivanje sukladnosti: **DEKRA Certification B.V. Meander 1051, P.O. Box 5185, 6802 ED Arnhem, Net-**

herlands, Nr. 0344

Tehnička dokumentacija se može dobiti kod: *

et 3 600 HC1 A.. : 2000/14/EÜ: Mõõdetud helivõimsustase **82** dB(A), mõõtemääramatus K = **1.0** dB, garanteeritud helivõimsustase **88** dB(A)

3 600 HC1 C.. : 2000/14/EÜ: Mõõdetud helivõimsustase **85** dB(A), mõõtemääramatus K = **1.0** dB, garanteeritud helivõimsustase **86** dB(A)

Vastavuse hindamise meetod vastavalt lisale **VI**. Tootekategooria: **33**Teavitatud asutus: **DEKRA Certification B.V. Meander 1051, P.O. Box 5185, 6802 ED Arnhem, Netherlands, Nr. 0344**

Tehnilised dokumendid saadaval: *

lv 3 600 HC1 A.. : 2000/14/EK: izmērītais trokšņa jaudas līmenis ir **82** dB(A), izkliede K ir = **1.0** dB, garantētais trokšņa jaudas līmenis ir **88** dB(A)

3 600 HC1 C.. : 2000/14/EK: izmērītais trokšņa jaudas līmenis ir **85** dB(A), izkliede K ir = **1.0** dB, garantētais trokšņa jaudas līmenis ir **86** dB(A)

Atbilstības novērtēšana ir veikta saskaņā ar pielikumu **VI**. Izstrādājuma kategorija: **33**Deklarētā pārbaudes vieta: **DEKRA Certification B.V. Meander 1051, P.O. Box 5185, 6802 ED Arnhem, Netherlands, Nr. 0344**

Tehnisks dokumentācija no: *

lt 3 600 HC1 A.. : 2000/14/EB: išmatuotas garso galios lygis **82** dB(A), paklaida K = **1.0** dB, garantuotas garso galios lygis **88** dB(A)

3 600 HC1 C.. : 2000/14/EB: išmatuotas garso galios lygis **85** dB(A), paklaida K = **1.0** dB, garantuotas garso galios lygis **86** dB(A)

Atitikties vertinimas atliktas pagal priedą **VI**. Gaminio kategorija: **33**Notifikuota įstaiga: **DEKRA Certification B.V. Meander 1051, P.O. Box 5185, 6802 ED Arnhem, Netherlands, Nr. 0344**

Techninė dokumentacija saugoma: *

**BOSCH*** Robert Bosch Power Tools GmbH, PT/ECS,
70538 Stuttgart, GERMANYHenk Becker
Chairman of Executive
ManagementHelmut Heinzlmann
Head of Product Certification

Robert Bosch Power Tools GmbH, 70538 Stuttgart, GERMANY
Stuttgart, **04.06.2020**